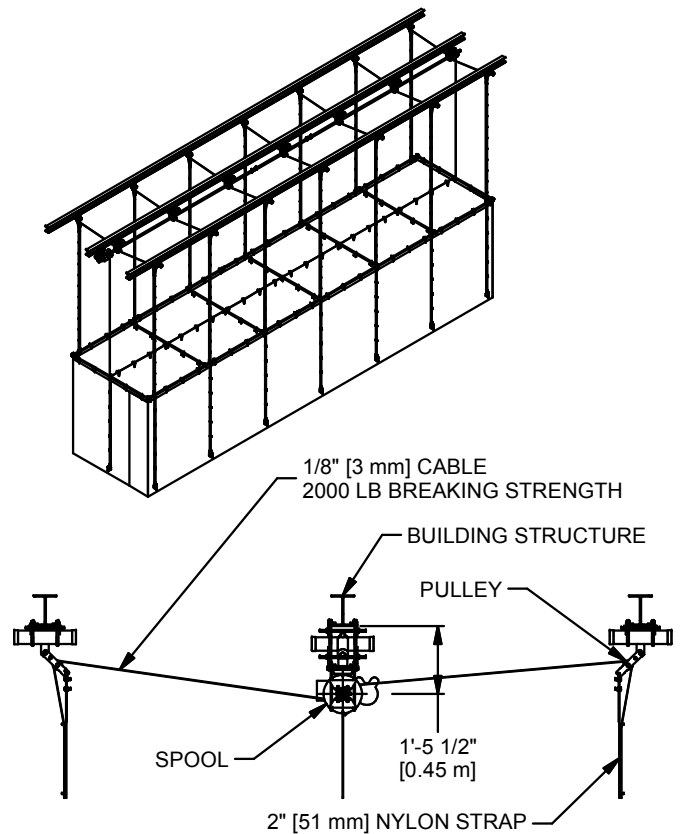
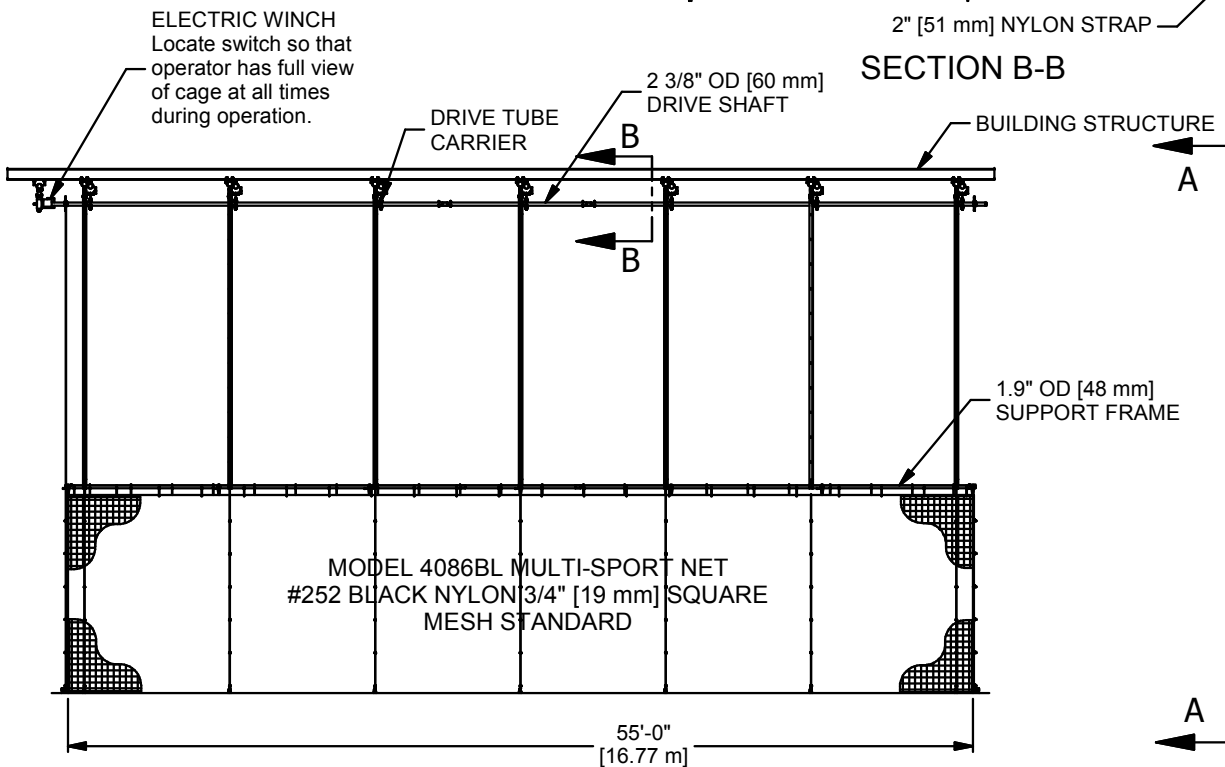


VIEW A-A



SECTION B-B



36" [914 mm] OVERLAPPED NETTING FOR CORNER ENTRANCE AT BOTH ENDS.

ELECTRIC WINCH
Locate switch so that operator has full view of cage at all times during operation.

DRIVE TUBE CARRIER

2 3/8" OD [60 mm] DRIVE SHAFT

BUILDING STRUCTURE

1.9" OD [48 mm] SUPPORT FRAME

MODEL 4086BL MULTI-SPORT NET
#252 BLACK NYLON 3/4" [19 mm] SQUARE MESH STANDARD

C	WDC	03-16-20
B	WDC	05-17-18
REV	BY	DATE



Gared Holdings, LLC
9200 E. 146th St. Noblesville, IN 46060

THIS DOCUMENT CONTAINS TRADE SECRET AND OTHER MATERIALS WHICH ARE PROTECTED BY CONFIDENTIALITY NOTICE AND AGREEMENT AND BY COPYRIGHT. ANY USE OR COPYING OF THIS DOCUMENT EXCEPT AS AUTHORIZED BY GARED HOLDINGS, LLC IS STRICTLY PROHIBITED.

BOTTOM LIFT MULTI-SPORT CAGE 55'

DRAWN CONNERLEY	DATE 5/15/2018	DATE ISSUED
APPROVED	DATE	

FILE LOC. Q:\Inventor Files\				
SIZE A	SCALE	SHT. NO. 1 OF 2	PART NO. 4080BL-55	REV C



MODEL 4080BL-55

BOTTOM LIFT MULTI-SPORT CAGE

OVERHEAD SUPERSTRUCTURE

The model 4080BL-55 multi-sport cage is supported from the roof structure by directly attaching to the underneath side of the roof truss or by attaching to Uni-strut, 4/O Chain, or 3 1/2" [90 mm] O.D. horizontal and 2 3/8" [60 mm] O.D. vertical structural tubing supplied. Bridge pipe may be required when truss spans exceed 14' [4.27 m]. Superstructure shall be furnished with standard black powder coat finish. Optional colors available.

NET MATERIAL

Cage net shall be model 4086BL, 12'-0" [3.66 m] high x 12'-0" [3.66 m] wide by 70' [21.3 m] long. An additional 12" [3.66 m] of net shall drape on the floor preventing balls from going under the cage. Net shall be constructed from #252 black knotted nylon with 3/4" [19 mm] square mesh and shall be capable of stopping a baseball, softball and golf ball. Entrance shall be through an overlapping net opening on each end. Contact factory for special sizes and materials.

DRIVE / SUPPORT STRUCTURE

The model 4080BL-55 Multi-sport Cage shall be operated by an electric curtain hoist, model 4002-1HP. Hoist is available in various voltages and frequencies. Hoist shall be driven by an instant reversing, 1 horsepower electric gear-motor that is controlled with a key switch and integral limit switches.

Curtain hoist shall drive a continuous 2-3/8" [60 mm] O.D. drive shaft. The cage shall be lifted by means of 1/8" [3 mm] galvanized aircraft cable rated at 2000 lbs [907 kg] breaking strength. Lift cables shall be spaced at no greater than 12'-0" [3.66 m] center to center. Each cable shall be taken up on individual spool located on the drive shaft. The cable shall be routed to gather the net, the support frame, and the support straps as it is lifted. A sewn vinyl pouch, weighted with chain, shall be attached to the bottom of each cable to provide tension as it extends.

The drive shaft shall be supported by a carrier assembly spaced no greater than 12'-0" [3.66 m] center to center. The carrier shall consist of a formed bracket with two rubber wheels on which the drive shall rotate.

Cage support frame shall be constructed of 1.9" O.D. [48 mm] steel tubing. Support frame shall be furnished with standard black powder coat finish. Optional colors available. Cage support frame shall be suspended from the ceiling with 2" [51 mm] wide nylon straps used as cable guides.

The top of the cage net shall be suspended approximately 6" [152 mm] below the cage support frame.

OPTIONAL ACCESSORIES

- TSC Total System Controls
- 1199/1198 WIRELESS REMOTE
- 4015 ALARM KIT, AUDIBLE/STROBE 120V SGL
- 1108 CURTAIN LOCK

Subject to design change and current manufacturing practices.