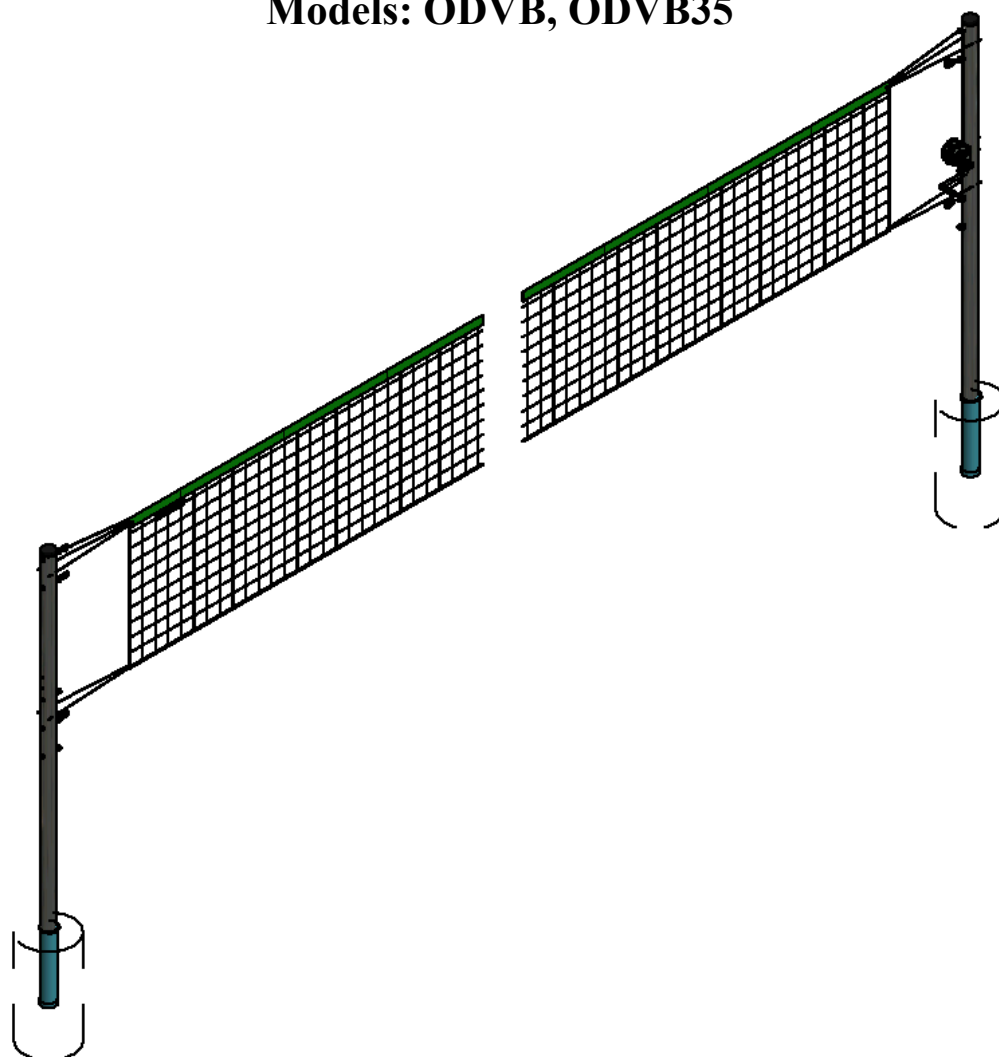




OUTDOOR VOLLEYBALL

Models: ODVB, ODVB35



Installation, Operation, and Maintenance Instructions

.....
Please read all instructions before attempting installation or operation of these units
.....

SAVE THESE INSTRUCTIONS FOR FUTURE USE

PUBLICATION No.
601751810

04-02-20



Table of Contents

<u>Section</u>	<u>Page No.</u>
Introduction	1
Specifications / Dimensions	2
Parts List	3
Installation	4
Operation	7
Maintenance	8

INTRODUCTION

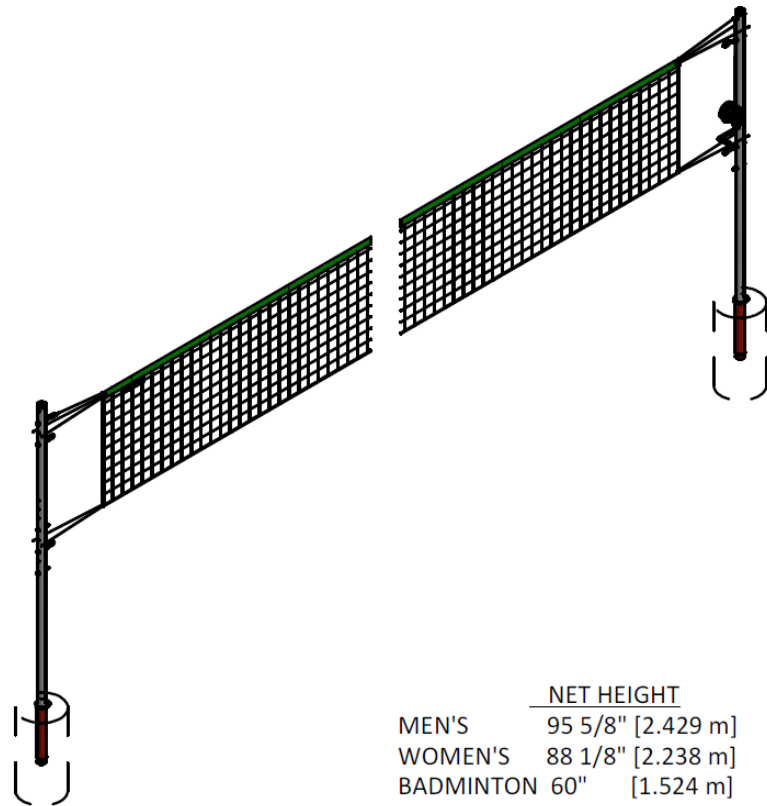
Thank you for your purchase of a model ODVB or ODVB32 Outdoor Volleyball Standards. To ensure that our equipment will provide years of use to you, we are including this installation, operation, and maintenance guide. This guide will provide information on the proper assembly and installation methods, operating procedures, and preventative maintenance of your portable backstop.

Please note that a Bill of Materials is being included with this guide. Please check that all of the parts called out on the Bill of Materials are present prior to beginning assembly and setup. Please do not substitute for factory parts. Please contact the factory customer service department and allow them to determine if substitute parts are acceptable.

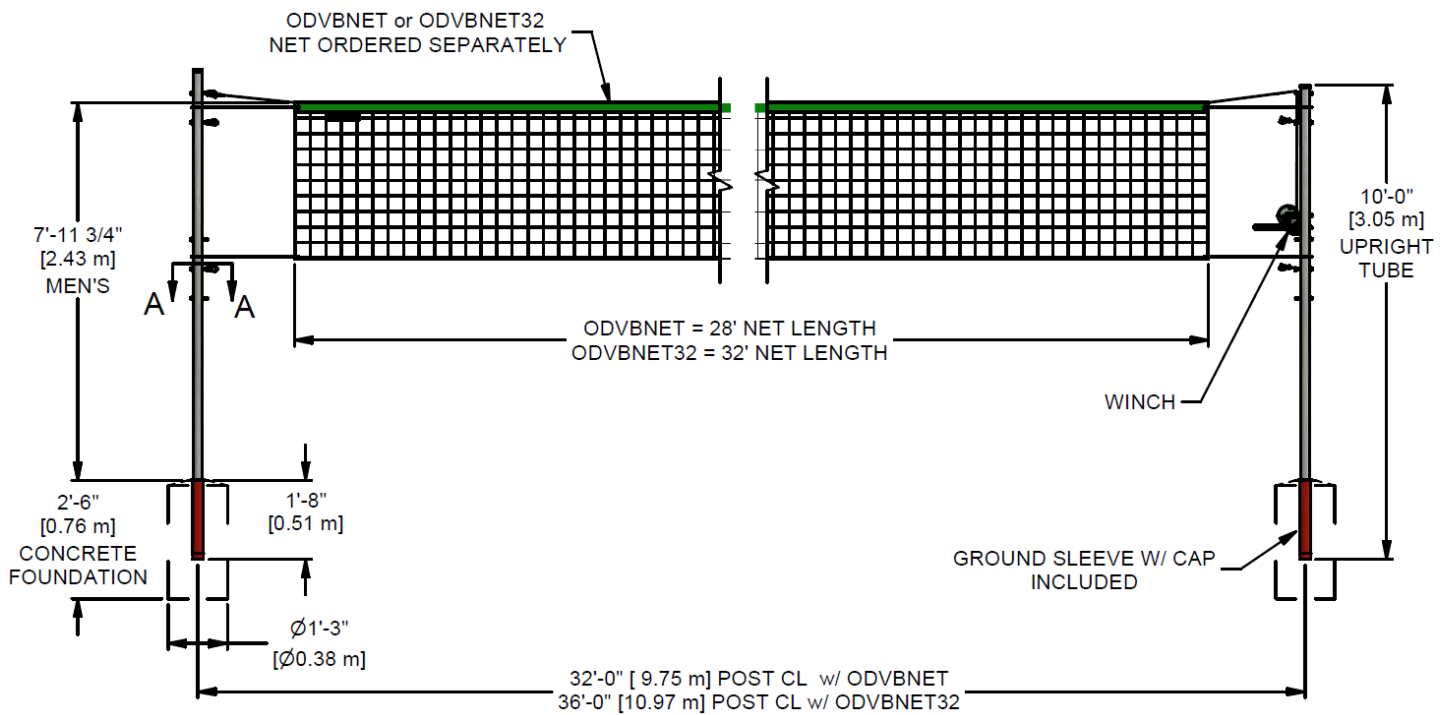
It is recommended that an individual who has been properly trained perform assembly and set up of the wheel adapter kit. No one under the age of 18 should attempt assembly or set up of the unit, unless properly supervised.

To prevent normal wear and tear from shortening the life of the unit, preventative maintenance inspections and repairs should be performed at least once per year. If the units are subject to high or unusual usage, inspections should be scheduled to occur more frequently. If items are found to be nonconforming, replacements can be ordered from one of our authorized dealers. When contacting your dealer, please have information regarding the name of the project and any applicable warranty information.

SPECIFICATIONS & DIMENSIONS



	NET HEIGHT
MEN'S	95 5/8" [2.429 m]
WOMEN'S	88 1/8" [2.238 m]
BADMINTON	60" [1.524 m]





OUTDOOR VOLLEYBALL ODBV_ODVB35



PARTS LIST

ITEM	PART NUMBER	DESCRIPTION	ODVB	ODVB35
1	502-6-16-48	HEX BOLT, 3/8-16 UNC X 3	2	
	502-6-16-72	HEX BOLT, 3/8-16 UNC X 4.5		2
2	545-6-16Z	HEX NUT, NYLON LOCK 3/8-16	12	12
3	561-6	FLAT WASHER 3/8	12	12
4	1023-09-00	2 3/8" END CAP	2	
	1035-09-00	3 1/2" END CAP		2
5	1282-30-00	5/16" UNIVERSAL SNAP LINK	3	3
6	1422-11-00	3/8" X 3" TURNED EYEBOLT	10	
	1423-11-00	3/8" X 4 1/4" WELDED TURNED EYEBOLT		10
7	6825	CAP, 2.375" VBALL/TETHERBALL SLEEVE	2	
	6826	CAP, 3.5" OUTDOOR VOLLEYBALL SLEEVE		2
8	601653813	2.375 OD UPRIGHT,OUTDOOR VOLLEYBALL	2	
	601654432	3.5" OD UPRIGHT,OUTDOOR VOLLEYBALL		2
9	601653814	WINCH, OUTDOOR VOLLEYBALL	1	1
10	601653815	2.375" GROUND SLEEVE, OUTDOOR VB	2	
	601654433	3.5" OD GROUND SLEEVE, OUTDOOR VB		2
11	651654205	ROPE RATCHET, 1/8"	2	2
12	601751810	MANUAL, ODVB/ODVB35 INSTALLATION	1	1
20	ODVBNET	NET, ODVB VOLLEYBALL 28' (8.5m)	REF	REF
20	ODVBNET32	NET, ODVB VOLLEYBALL 32' (9.75M)	REF	REF

Reference items #20 are not included with the standards and must be ordered separately.

RECOMMENDED BOLT TORQUE				
Bolt Size	Wrench Size	In-Lbs	Ft-Lbs	Nm
1/4"	7/16"	66 to 90	5.5 to 7.5	8 to 10
5/16"	1/2"	132 to 180	11 to 15	15 to 20
3/8"	9/16"	234 to 318	19.5 to 26.5	27 to 36
7/16"	11/16"		31 to 42.5	43 to 58
1/2"	3/4"		47 to 65	64 to 88
9/16"	7/8"		68 to 90	93 to 122
5/8"	15/16"		94 to 130	128 to 176
3/4"	1-1/8"		166 to 230	226 to 312
7/8"	1-5/16"		269 to 372	365 to 504
1"	1-1/2"		402 to 566	546 to 767

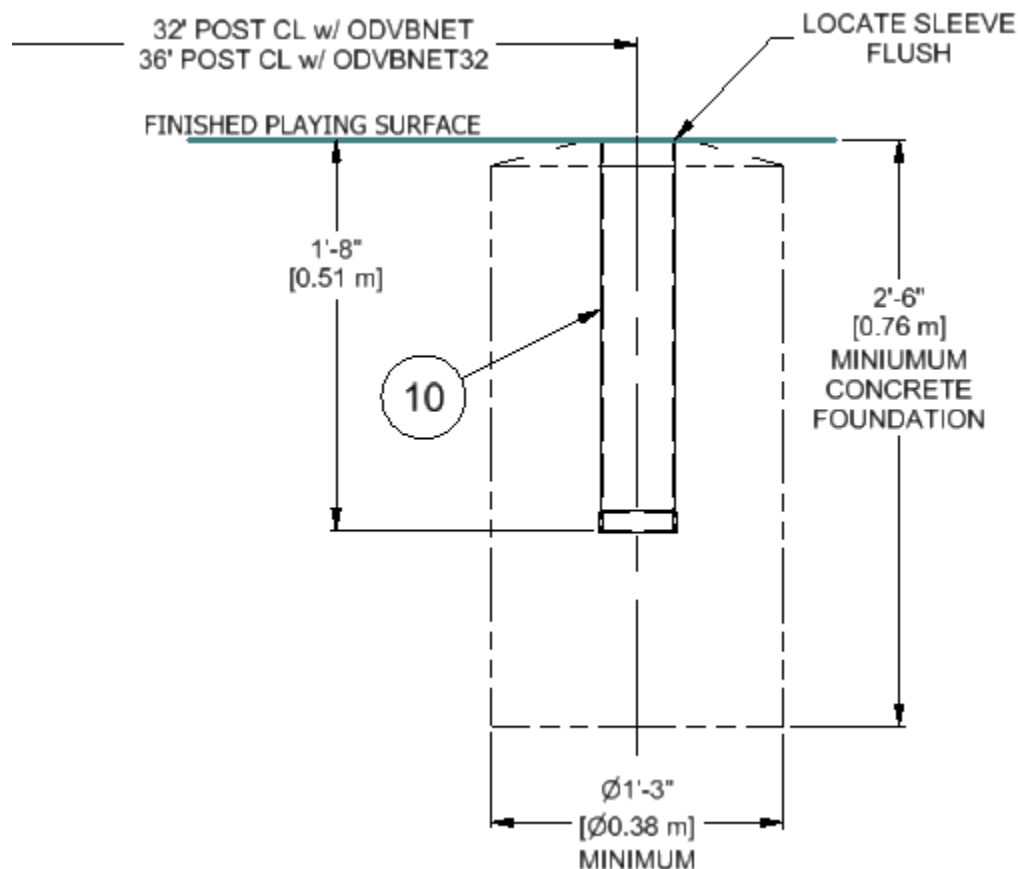
INSTALLATION

TOOLS REQUIRED

- 50 ft tape measure
- Shovel and concrete tools
- Level
- Cable cutters
- Wrenches and socket set
- Box knife
- Concrete (minimum of 7 cubic feet) for 15" dia. x 30" deep foundation.

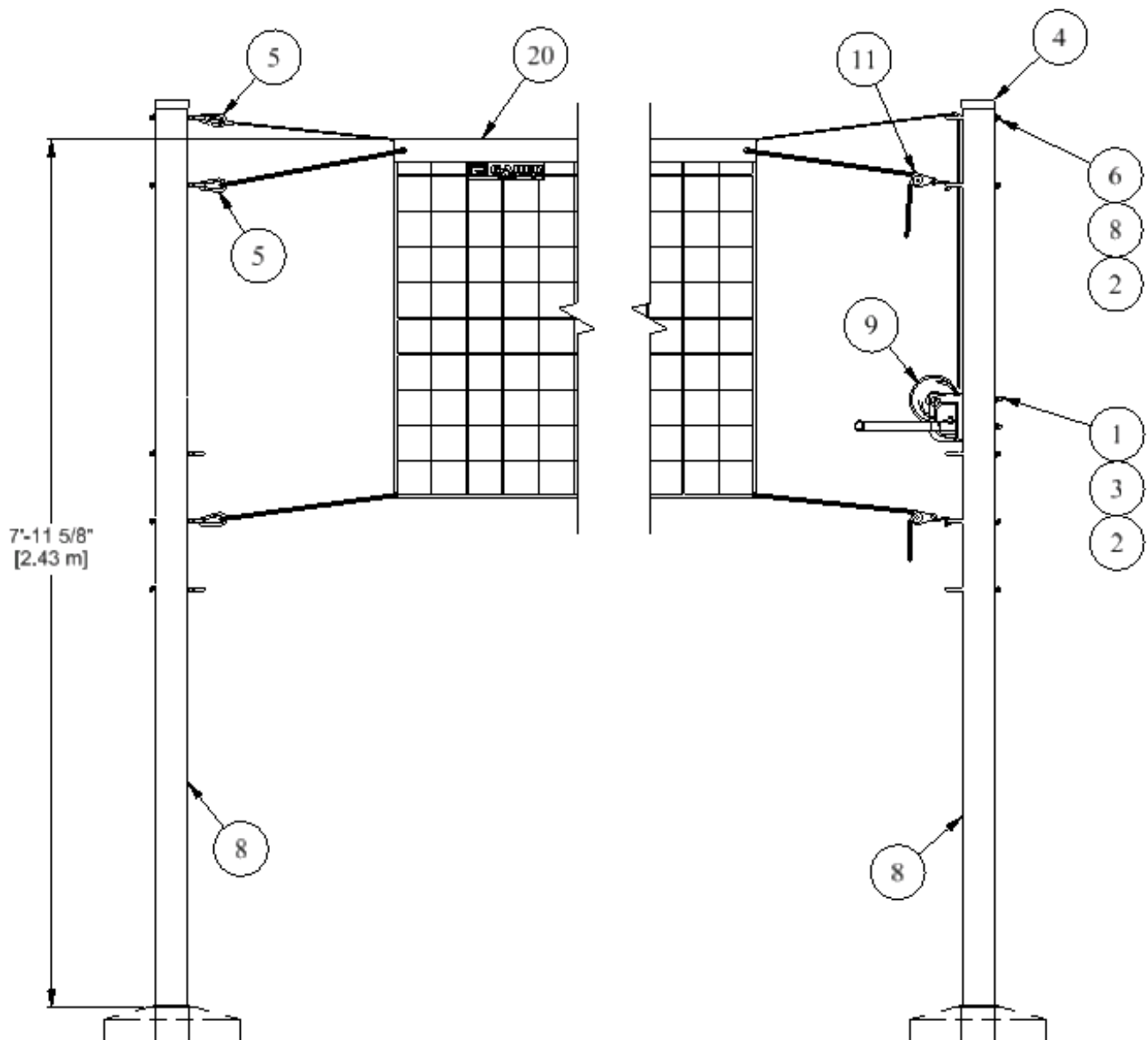
FOUNDATION

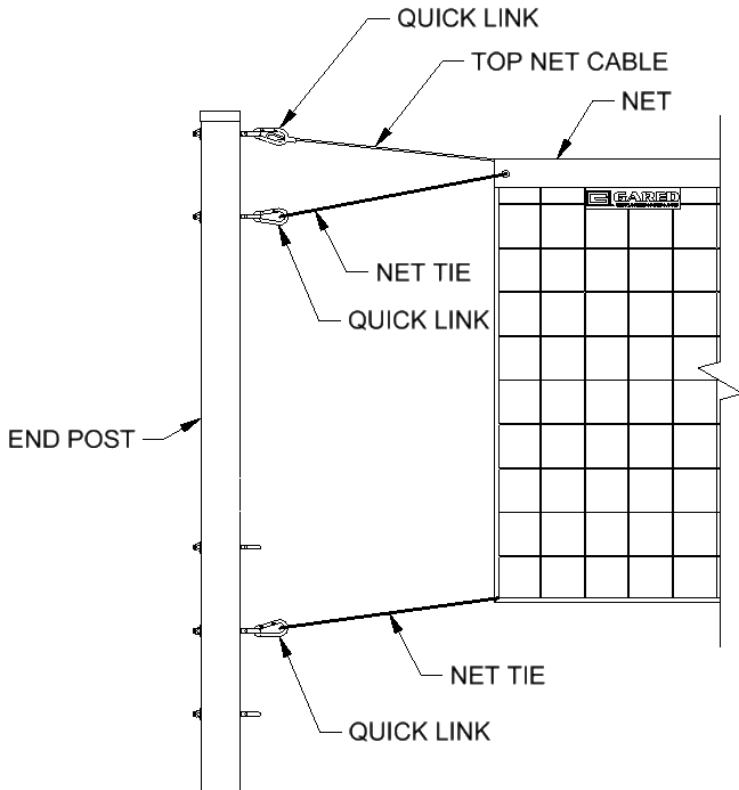
1. Locate and mark post centerlines. Post centerline is determined by the net size being used.
 - a. Net ODVBNET is 28 ft long and requires post centerline of 32 ft.
 - b. Net ODVBNET32 is 32 ft long and requires post centerline of 36 ft.
2. Dig a hole at a minimum of 15" in diameter and 30" deep.
3. Pour hole level with concrete, while setting the sleeve, item #10, to be flush with the finished playing surface. Set sleeve with plastic cap end down.
4. Slope top edges of concrete away from the centerline of post.
5. Allow concrete to cure for at least 24 hours before continuing.



POST AND NET INSTALLATION

1. With sleeves set and concrete cured, place the end post and winch post into the sleeves with the eyebolts facing the net side of each post as pictured below.



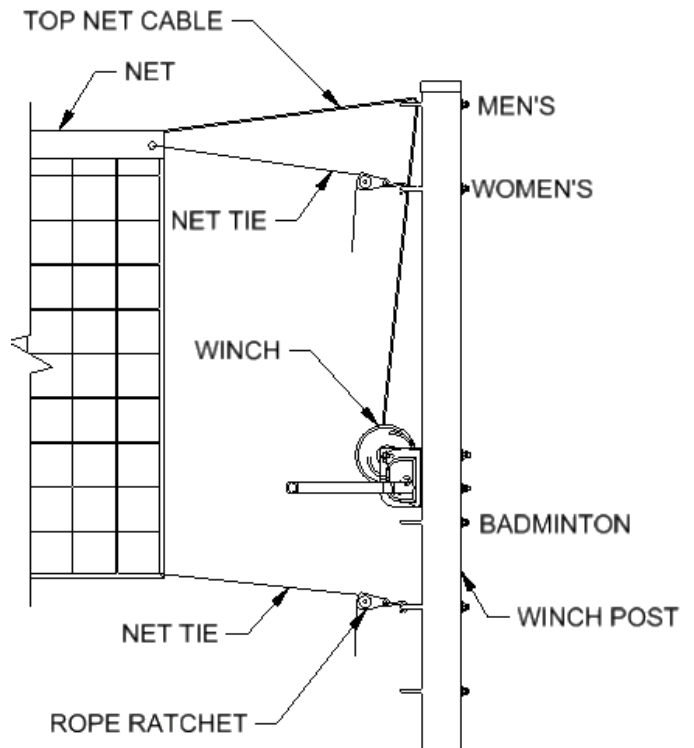


2. Connect the top net cable to the highest eye-bolt on the end post using a quick link. The end of the net with the shortest cable should be connected to the end post.
3. Cut the cable eye off the top cable on the winch post end.
4. Thread the cable through the top eye-bolt and down to the winch.
5. Use the instructions on page 8 to install cable to winch. Note: there should be 3 wraps of cable on the winch before it begins tightening.

6. Crank the winch to tighten the upper net cable. Do not overtighten net cable. The winch only tensions the cable to support the net. The net is tensioned with the rope ratchets.

⚠ WARNING
DO NOT OVERTIGHTEN WINCH
 Overtightening may result in damage to equipment and/or serious injury.
124651582

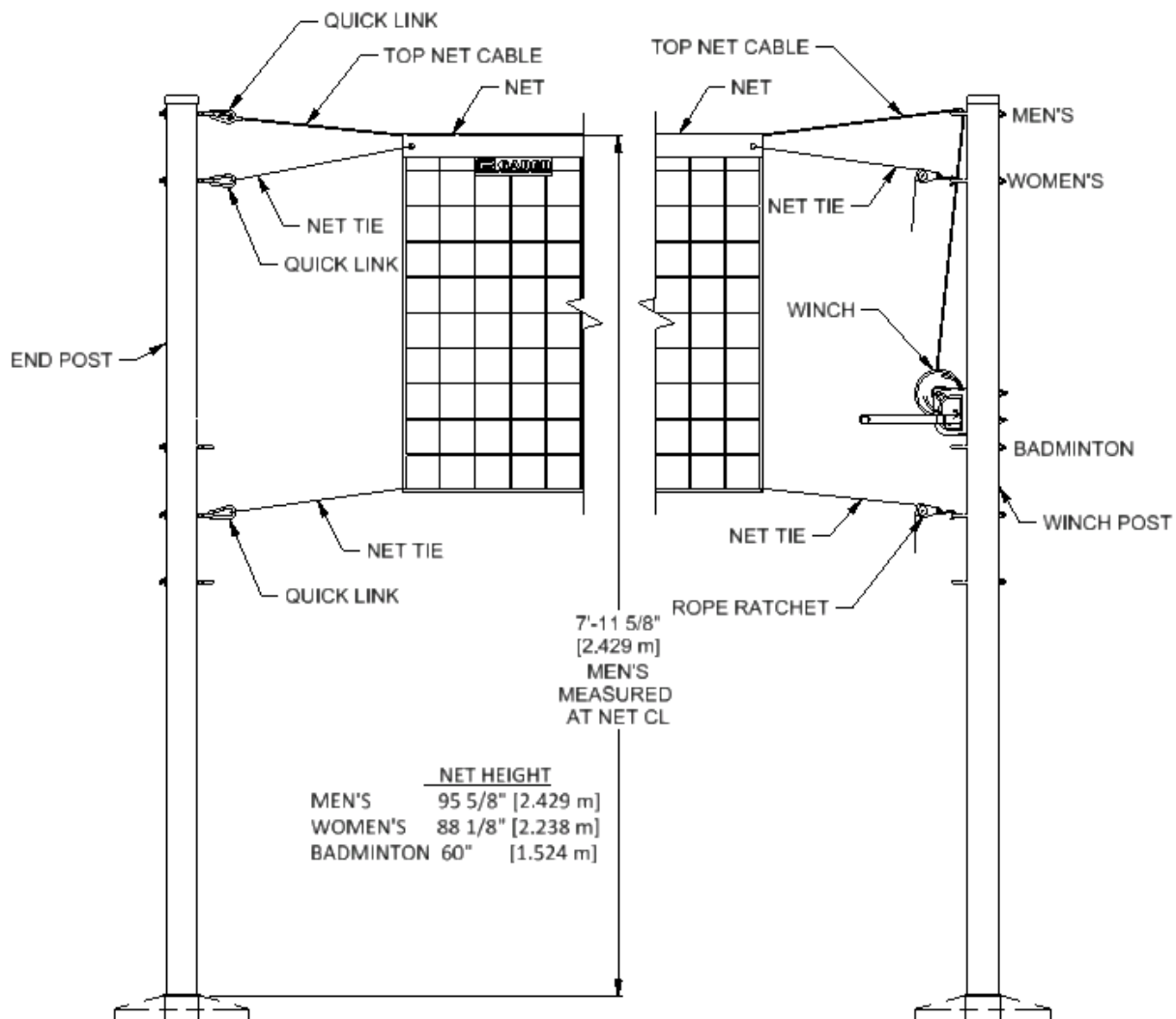
7. Center the net over the court and tie the net ties to a quick link, attaching quick links to the eyebolts on the end post.
8. Hook the rope ratchets onto the eye-bolts of the winch post and tighten tie by feeding the net tie rope into the ratchet and pulling on the loose rope end.



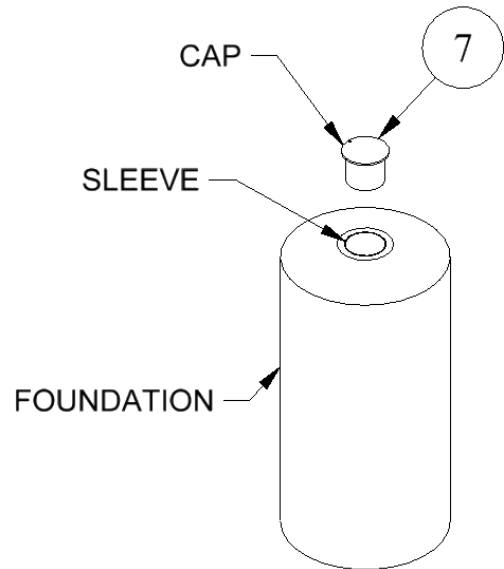
OPERATION

1. Set posts into sleeves with eye-bolts facing the court.
2. Attach top net cable to the end post with a quick link at the appropriate eye-bolt for the desired net height. See chart below. Note that net height is measured at the middle of the court.
3. Thread the cable on the winch post end through the eye-bolt at the desired height and down to the winch. Attach to winch using cable to winch instructions on the following page.
4. Tighten net cable using the winch. Do not over tighten winch. The winch only tensions the cable to support the net. The net is tensioned with the rope ratchets.
5. Connect net ties at the end post using quick links.
6. Connect net ties, using the rope ratchets at the winch post.
7. Pull loose end of rope on rope ratchets to tighten net. Press release on rope ratchet to release net tension.

⚠ WARNING
 DO NOT OVERTIGHTEN WINCH
 Overtightening may result in damage to equipment and/or serious injury.
 124651582



8. To adjust net height, loosen net ties and cable tension and move top cable attachment to the desired eye-bolt height. Retighten net cable and net ties.
9. Volleyball system can be taken down by reversing the setup procedure.
10. When posts are not installed in sleeve, place the caps, items #7, into sleeve to keep debris out of sleeve.



Cable to winch installation

1. Thread cable over the drum and through the drum side slot.
2. Insert cable end through one side of cable clamp, making a loop and returning through the other side of clamp as shown.
3. Tighten cable clamp nut slightly then pull gently on cable to tighten loop.
4. Tighten cable clamp.
5. Be sure there is a minimum of 3 wraps of cable on the winch drum before net cable begins to tighten.

Note: Cable should wrap the drum as shown in illustration and tightening the net, crank turned clockwise, will turn the spool clockwise when viewed from the clamp side.





MAINTENANCE

1. General inspection of equipment when used should be performed to ensure no catastrophic failures have occurred during the course of use between yearly inspections.
2. It is recommended that yearly inspections be conducted to determine if any bolts or any other hardware has become worn or loosened. A sample check sheet has been provided for you in this guide.
3. During yearly inspections, all moving parts should be inspected while in operation. Key points to look for include rotation points where bushings contact metal, winches, pulleys and quick links. The ropes should be looked at for any degradation or fraying.
4. Any loose bolts or nuts should be tightened.

Replacement parts and / or service to the equipment can be obtained from your local dealer or installer. To find your local dealer, visit us online or contact customer service department at the web address or phone number listed on the last page of this manual.



Gared Holdings, LLC

Performance Sports Systems
9200 E. 146th Street
Noblesville, IN 46060

800-848-8034
www.perfsports.com

Gared Sports
9200 E. 146th Street
Noblesville, IN 46060

800-325-2682
www.garedsports.com