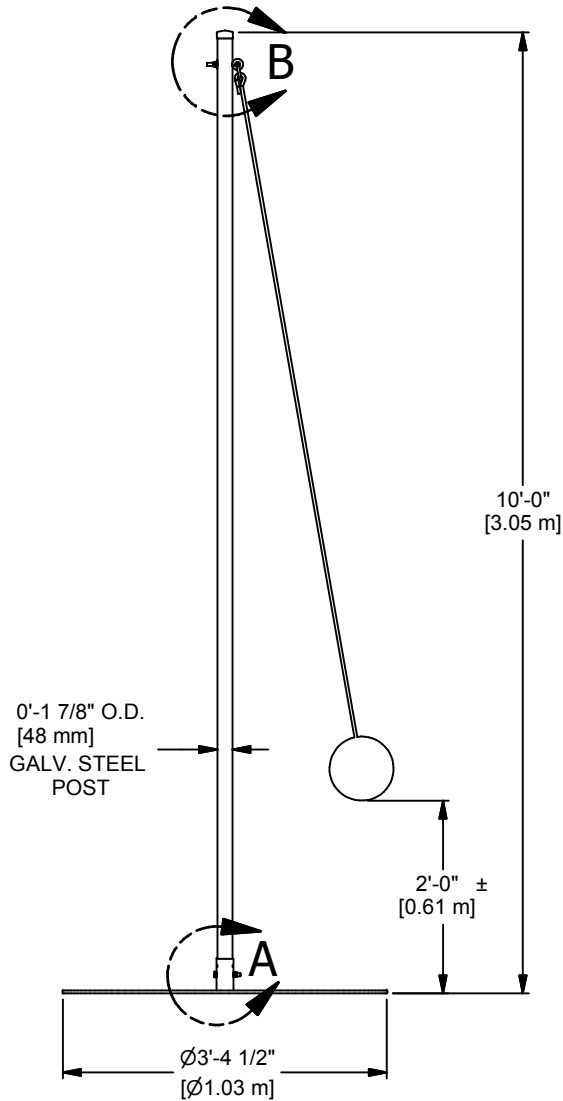


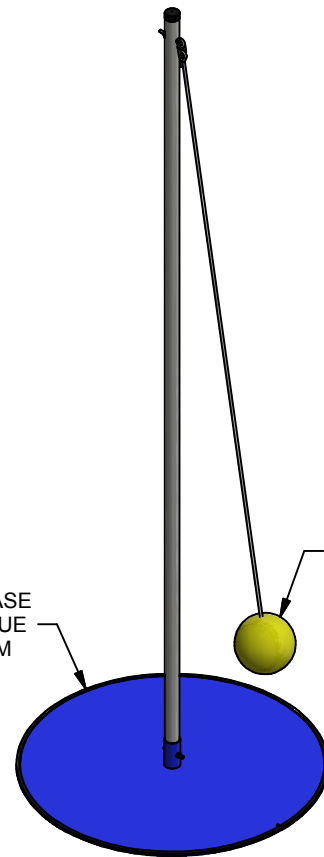
DETAIL A

DETAIL B



1/4" [6.4 mm] STEEL BASE
POWDER COATED BLUE
WITH PVC EDGE TRIM

TETHERBALL WITH
9'-10" [3.00m] NYLON
ROPE



THIS DOCUMENT CONTAINS TRADE SECRET AND OTHER MATERIALS WHICH ARE PROTECTED BY CONFIDENTIALITY NOTICE AND AGREEMENT AND BY COPYRIGHT. ANY USE OR COPYING OF THIS DOCUMENT EXCEPT AS AUTHORIZED BY GARED HOLDINGS, LLC IS STRICTLY PROHIBITED.

PORTABLE TETHERBALL SYSTEM

| | | | | |
|----------|-------|------|----------|-------------|
| DRAWN | PERRY | DATE | 4/2/2013 | DATE ISSUED |
| APPROVED | | DATE | | |

FILE LOC. Q:\Inventor Files\Specification Files\06_Outdoor Products

| | | | | |
|------|-------|----------|----------|-----|
| SIZE | SCALE | SHT. NO. | PART NO. | REV |
| A | | 1 OF 2 | 6811 | A |



Gared Holdings, LLC
9200 E. 146th St. Noblesville, IN 46060

| | | |
|-----|-----|----------|
| A | WDC | 05-08-20 |
| REV | BY | DATE |



MODEL 6811
PORTABLE TETHERBALL SYSTEM

RECOMMENDED APPLICATION

Portable system designed for a non-permanent tetherball and does not require a foundation. System designed to allow tetherball post to be moved when not in use.

SPECIFICATIONS

The Tetherball post shall be constructed of 1.9" O.D. x 0.120 wall galvanized steel tubing. Base of post shall be bolted in the sleeve to ensure post does not spin when inserted into the sleeve. The post shall be a total of 10 feet long.

The Tetherball base sleeve shall be constructed of 0.095 DOM steel tubing. It shall have an outside diameter of 2-1/8" and an inside diameter of 1 15/16". The sleeve shall be 4 inches in length, welded to a 40.5" diameter, 1/4" thick, steel plate with powder coat finish. Base plate shall have a black PVC edging to protect floor.

System includes post, plated hardware, tetherball with a 9'-10" nylon rope, and base weldment.

WARRANTY

One year from date of purchase. Warranted against manufacturing defects only. Warranty covers damage or failure from normal and intended use of the product, but not abusive activities.