



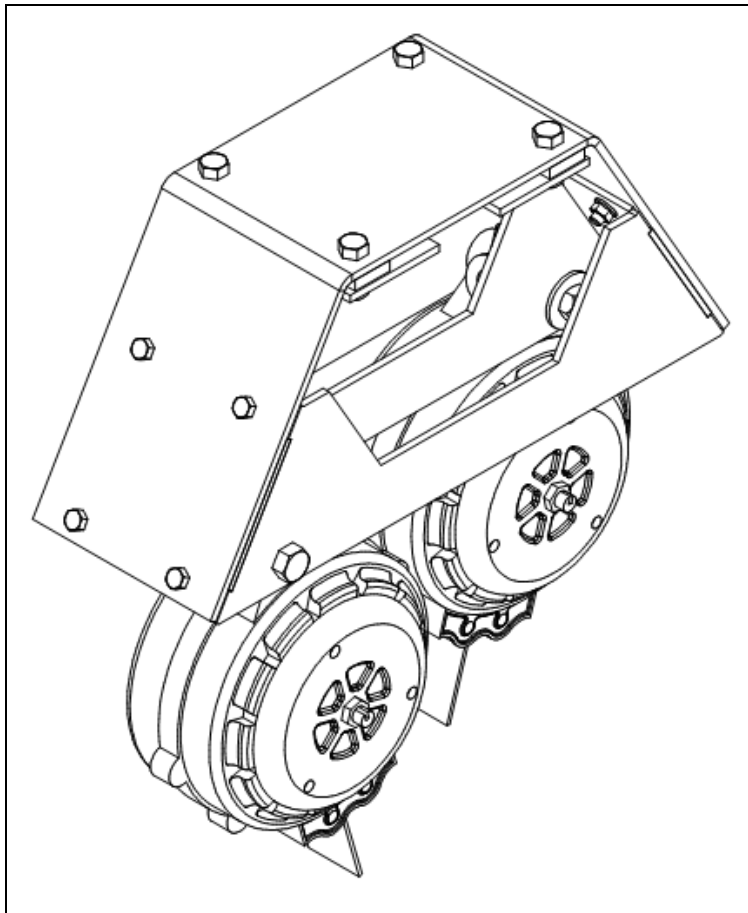
MAT HOIST SAFETY STRAP PACKAGE

Model:155655941

Installation, Operation and Maintenance Instructions

.....
Please read all instructions before attempting installation or operation of these units
.....

SAVE THESE INSTRUCTIONS FOR FUTURE USE



PUBLICATION No.
801755942 Rev B



MAT HOIST SAFETY STRAP PACKAGE



Table of Contents

<u>Section</u>	<u>Page No.</u>
Introduction	2
Cautions and Warnings	3
Parts Checklist	4
Assembly and Setup	5-8
Maintenance	9



MAT HOIST SAFETY STRAP PACKAGE



Introduction

Thank you for your purchase of a Gared Sports model 155655941 mat lock strap package. To ensure that our equipment will provide years of use to you, we are including this installation, operation, and maintenance guide. This guide will provide information on the proper assembly and installation methods, operating procedures, and preventative maintenance of your safety device.

It is recommended that an individual who has been properly trained perform assembly and set up of the mat hoist. No one under the age of 18 should attempt assembly or set up of the unit, unless properly supervised.

To prevent normal wear and tear from shortening the life of the unit, preventative maintenance inspections should be performed at least once per year. If the units are subject to high or unusual usage, inspections should be scheduled to occur more frequently. If items are found to be nonconforming, replacements can be ordered from Gared Sports or one of our authorized dealers. When contacting Gared Sports, please have information regarding the dealer/installer who sold the unit, the name of the project, and any applicable warranty information.



MAT HOIST SAFETY STRAP PACKAGE



Read and understand the following warnings to prevent possible personal injury and potential damage to the equipment during assembly, setup, and operation.

WARNING

Failure to follow proper installation procedures can result in damage to mat storage system and safety lock. During installation remove all weight from load bar.

CAUTION

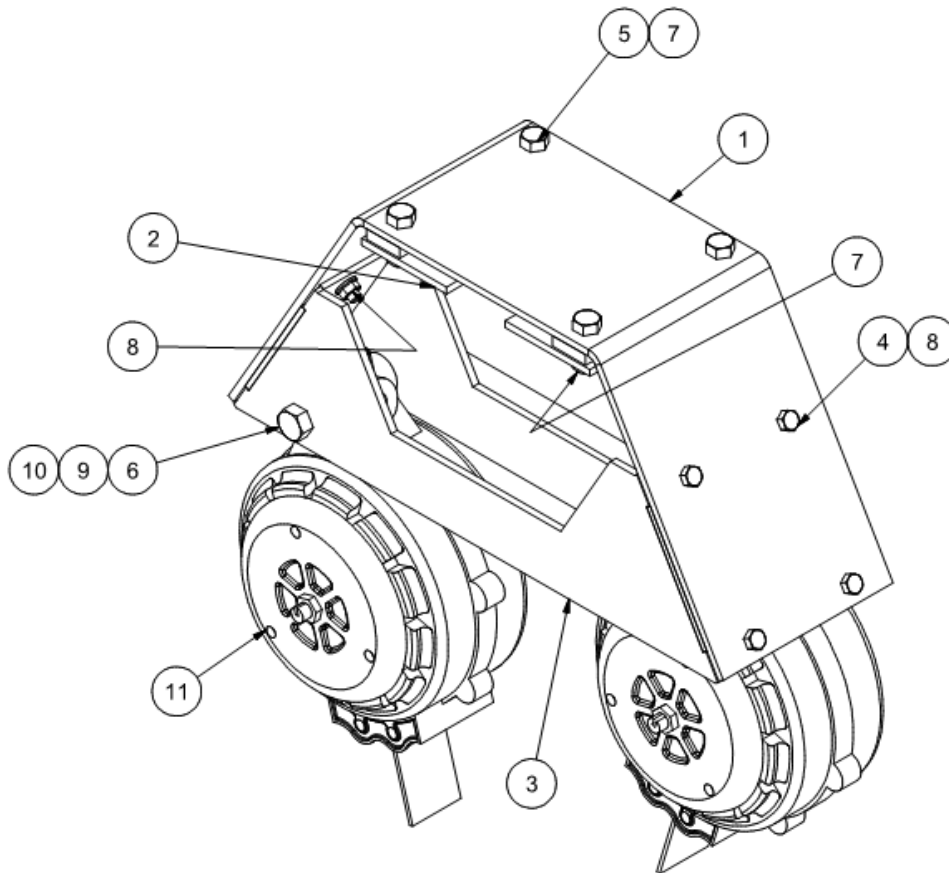
Safety lock is not a replacement for safe operation of mat storage system. During operation NO ONE should be under or around or near the device.

Before proceeding with assembly, **read all instructions and assembly procedures**. Make sure all parts have been received and are not damaged.

Parts Checklist

Verify all parts listed on packing list are present prior to installation.

Item	Part Number	Description	Qty
1	805651568	MAT HOIST SAFE STOP BEAM CLAMP TOP WELDMENT	2
2	805651572	MAT HOIST SAFE STOP BEAM CLAMP PLATE	4
3	805651569	MAT HOIST SAFE STOP BEAM CLAMP BOTTOM WELDMENT	2
4	502-6-16-16	HEX BOLT, 3/8-16 UNC X 1	16
5	502-8-13-24	HEX BOLT, 1/2-13 UNC X 1.5	8
6	502-10-11-72	HEX BOLT, 5/8-11 UNC X 4.5	4
7	548-8-13	HEX NUT, SERRATED FLANGE 1/2-13	8
8	548-6-16G	HEX NUT, SERRATED FLANGE 3/8-16 GALV	16
9	561-10	FLAT WASHER 5/8	4
10	545-10-11	HEX NUT, NYLON LOCK 5/8-11	4
11	1100	SAFESTOP SAFETY LOCKING STRAP	4



Contact Gared Customer Service at 800-325-2682 for assistance with replacement of any parts missing or damaged.

INSTALLATION INSTRUCTIONS

1. Make sure all weight on the load bar has been removed before you start installation. Run the load bar all the way up to the sub I beam assembly.
2. Place 805651568 Beam Clamp Top Weldment on top of I beam in location illustrated in Figure 1 on each end of the I beam.

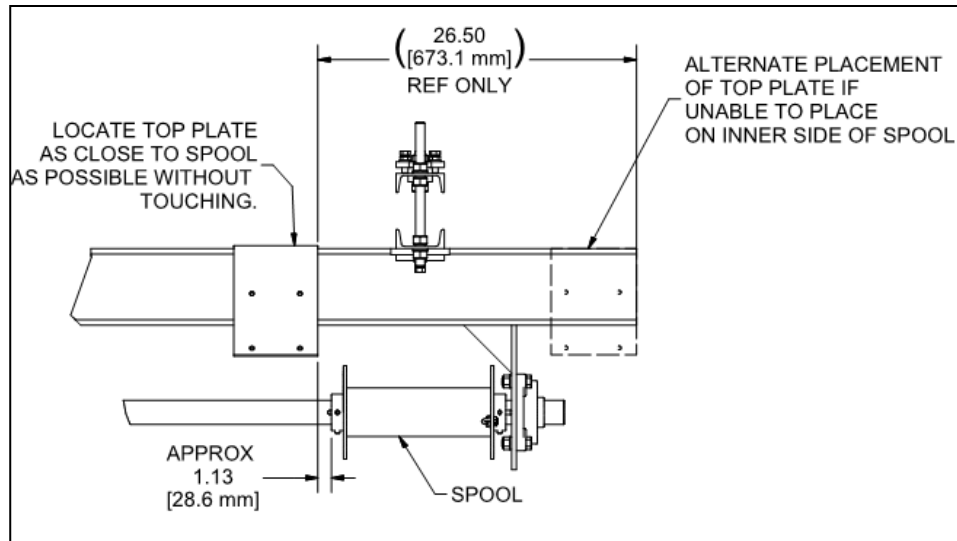


Figure 1

3. Make sure that the plate is sitting flat on I beam, captured between the welded plates as shown in figure 2.

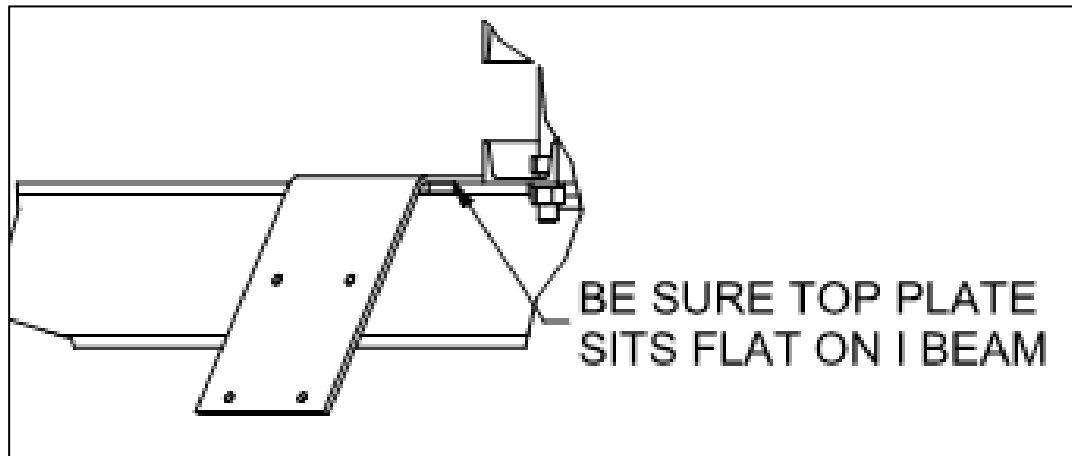


Figure 2

4. Install items 5 and 7. Don't tighten these bolts fully, as some adjustment may be required later in the set up (see figure 3)

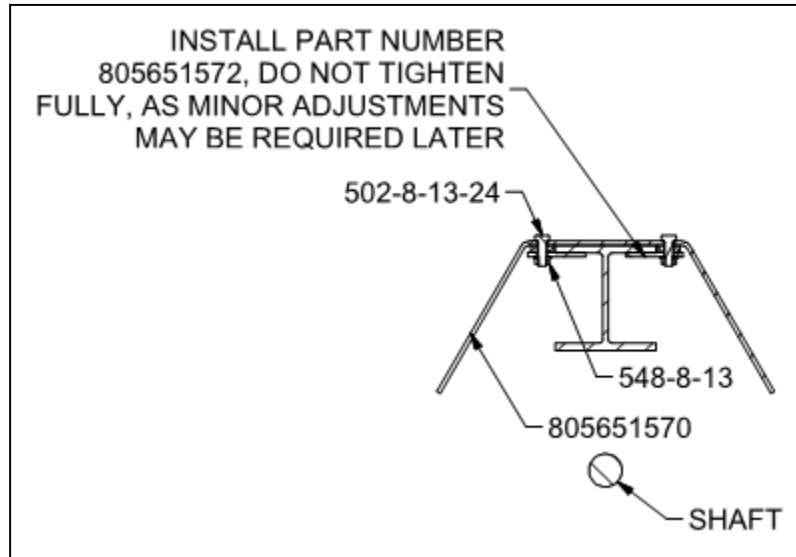


Figure 3

5. Slide lower weldment under top plate. Align the holes and assemble using 3/8" bolts. You may need to use a screwdriver to help align the holes, as a tight fit is needed for this interface. Tighten these bolts fully, as it will be difficult to access the nuts once the 1100 units are installed.

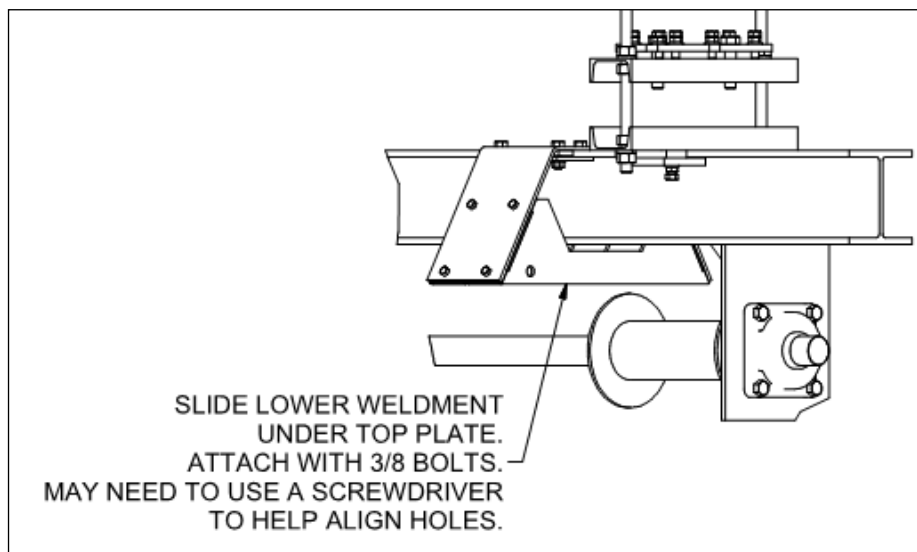


Figure 4

6. Make sure all eight 3/8-16 bolts are tightened to final torque before moving on to next step.

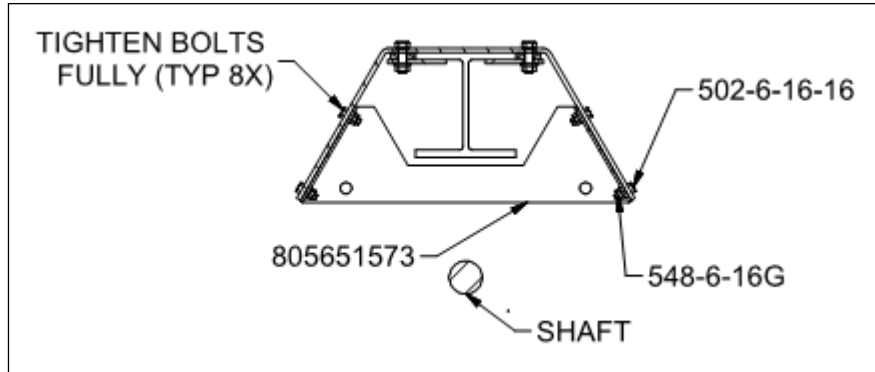


Figure 5

7. Mount 1100 safe stop units using items 6, 9, & 10 making sure to place the washer with the nylon lock nut as shown in figure 6. **NOTE: there may be components in the 1100 box that are not used. This is normal.**

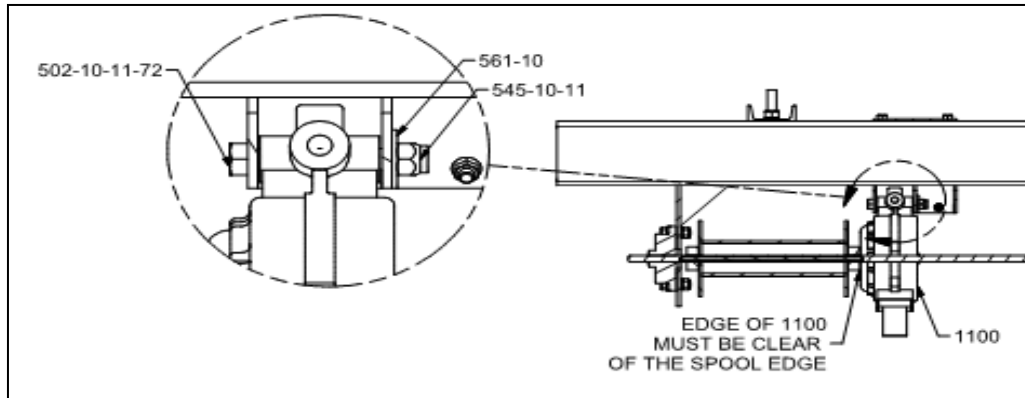


Figure 6

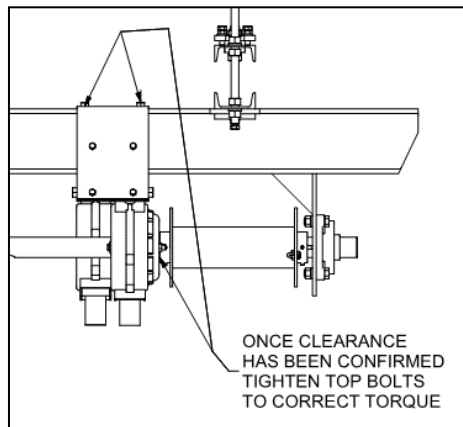


Figure 7

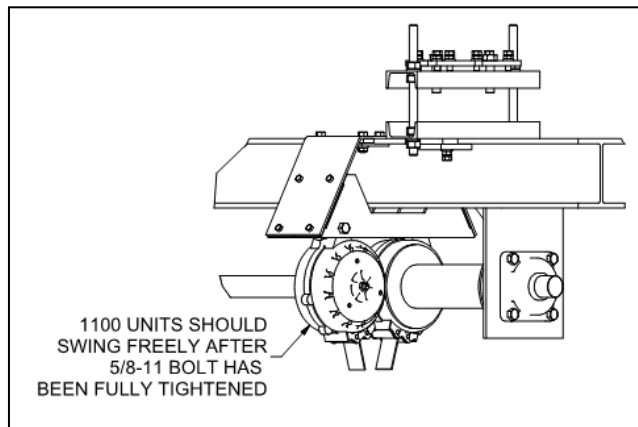


Figure 8

8. Pull the strap from the 1100 safe stop and wrap it around the load bar. Slide the securing clip around the belt and place the spacer and bolt through the belt loop such that the belt is captured in the clip (Figure 9).

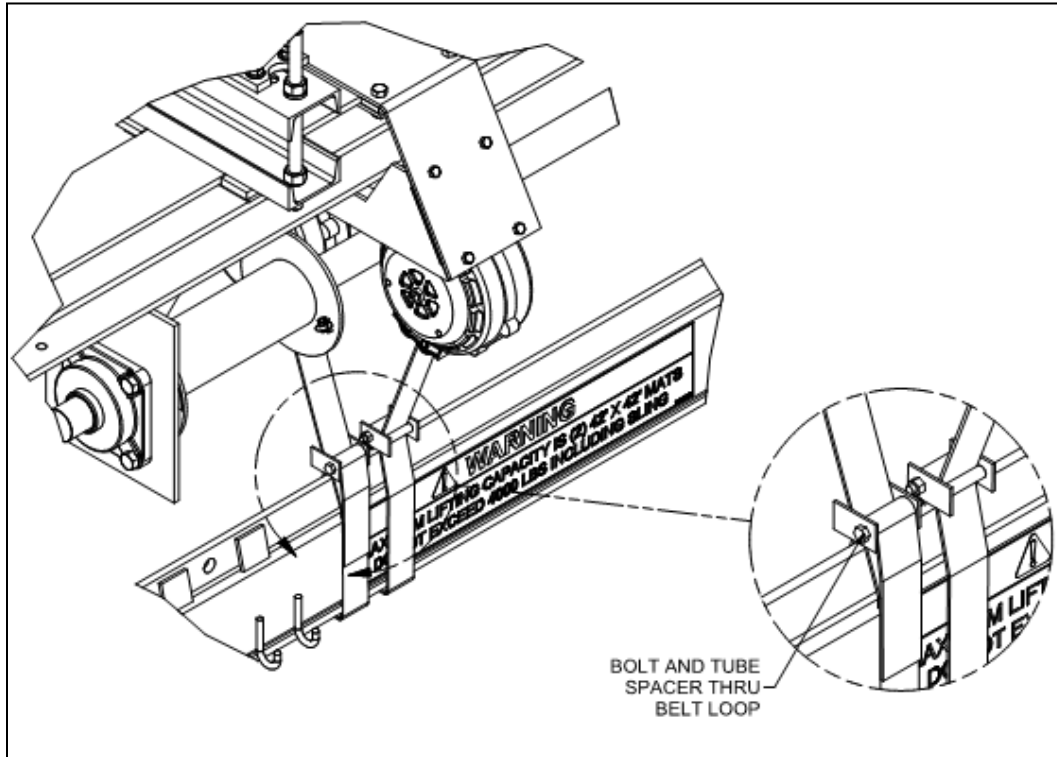


Figure 9

9. Pull the straps tightly against the load bar. This will keep the loop assemblies from moving during operation and keeping them prepared to catch the load bar at any time.
10. Once one side is complete and installed, repeat procedure on the other end of the I beam.

WHEN INSTALLATION IS COMPLETE THERE SHOULD BE (4) STRAPS ATTACHED TO THE LOAD BAR.

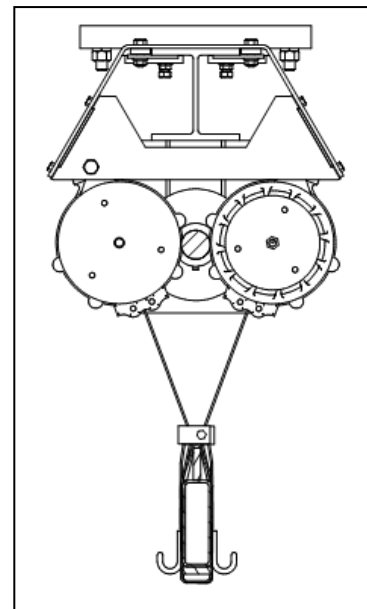


Figure 10



MAT HOIST SAFETY STRAP PACKAGE



Maintenance

Twice a year the straps should be checked for wear. Check for any indications of fraying of belt. Also make sure they are all retracting into their housings without slack.



Gared Holdings, LLC

Performance Sports Systems
9200 E. 146th Street
Noblesville, IN 46060

800-848-8034
www.perfsports.com

Gared Sports
707 North 2nd Street
St. Louis, MO 63102

800-325-2682
www.garedsports.com