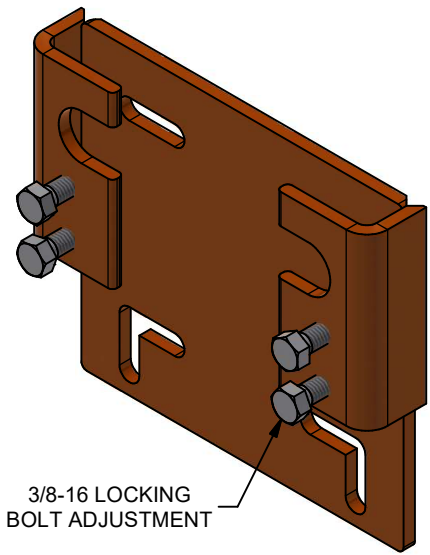


BOARD AND GOAL
NOT INCLUDED



1. COMPATIBLE WITH 39WO, 4039, 140, & 240 STATIONARY GOALS.
2. CONSTRUCTION OF WELDED STEEL.
3. FINISHED WITH ORANGE POWDER COAT.
4. INCLUDES 3/8-16 MOUNTING HARDWARE.
5. WEIGHT 5 lbs [2.3 kg]

C	ERD	08-04-23
B	SCW	6-23-23
A	WDC	10-07-19
REV	BY	DATE



Gared Performance Sports Systems
9200 East 146th Street, Suite A
Noblesville, IN 46060

THIS DOCUMENT CONTAINS TRADE SECRET AND OTHER MATERIALS WHICH ARE PROTECTED BY CONFIDENTIALITY NOTICE AND AGREEMENT AND BY COPYRIGHT. ANY USE OR COPYING OF THIS DOCUMENT EXCEPT AS AUTHORIZED BY GARED PERFORMANCE SPORTS SYSTEMS IS STRICTLY PROHIBITED.

UNIVERSAL ADAPTER PLATE

DRAWN CROSBY		DATE 10/7/2019	DATE ISSUED	
APPROVED		DATE		
SIZE A	SCALE	SHT. NO. 1 OF 2	PART NO. GSUAP	REV C



GSUAP

UNIVERSAL ADAPTER PLATE

The universal adapter plate protects from unauthorized use or theft by allowing easy removal of the goal from the backboard when not in use. Adapter plate mounts to the standard backboard with four hex bolts. The goal is held in place with four 3/8" locking bolts.

Adapter plate shall be made from heavy gauge steel with welded flanges for securing the goal while in play.

Universal Adapter plate works with non-breakaway rims with a 5" to 7" wide back plate and mounting hole patterns of 5" x 5", 5" x 4", 4" x 4", and 3" x 4". Compatible with 39WO, 4039, 140, & 240 stationary goals.

Subject to design change and current manufacturing practices.
©2008 Gared Performance Sports Systems, LLC