



## Permanent Aluminum Benches

Models:

BE08IG, BE15IG, BE21IG, and BE27IG

BE08IGWB, BE15IGWB, BE21IGWB, and BE27IGWB



### **Assembly and Installation Instructions**

.....  
**Please read all instructions before attempting assembly of these units**  
.....

**SAVE THESE INSTRUCTIONS FOR FUTURE USE**

PUBLICATION No.  
B E x x I G -

Issued  
January 23, 2015



## ***Table of Contents***

<b><u>Section</u></b>	<b><u>Page No.</u></b>
Introduction/Liability Disclaimer	1
Parts Checklist	2
Bench Assembly	3

### ***Introduction/Liability Disclaimers***

Thank you for your purchase of the Permanent Aluminum Bench. This guide will provide information on the proper assembly and installation methods of your benches.

Please note that a Bill of Materials is being included with this guide. Please check that all of the parts called out on the Bill of Materials are present prior to beginning assembly. Please do not substitute for factory parts. Please contact the PSS or Gared Sports customer service department and allow them to determine if substitute parts are acceptable.

It is recommended that an individual who has been properly trained perform assembly and set up of the benches. No one under the age of 18 should attempt assembly or set up of the unit, unless properly supervised.

To prevent normal wear and tear from shortening the life of the unit, preventative maintenance inspections and repairs should be performed at least once per year. If the units are subject to high or unusual usage, inspections should be scheduled to occur more frequently. If items are found to be nonconforming, replacements can be ordered from PSS or Gared Sports or one of our authorized dealers. When contacting PSS or Gared Sports, please have information regarding the dealer/installer who sold the unit, the name of the project, and any applicable warranty information.



## Permanent Aluminum Benches



**Before proceeding with assembly, read all instructions and assembly procedures. Make sure all parts have been received and are not damaged.**

### **Parts Checklist**

Verify all parts listed on packing list are present prior to installation.

Item	Part Number	30	Qty Required			
			7'-6"	15'	21'	27'
1	498001370	Frame In Ground Without Back	2	3	4	5
2	498011035	Mounting Clip	8	12	16	20
3	501-5-18-16G	Carriage Bolt 5/16" X 1"	8	12	16	20
4	548-5-18G	Whizlock Nut 5/16"	8	12	16	20
5	198011026-8AN	Plank, Seat 10" Anodized X 7.5'	1			
	198011026-15AN	Plank, Seat 10" Anodized X 15'		1		
	198011026-21AN	Plank, Seat 10" Anodized X 21'			1	
	198011026-27AN	Plank, Seat 10" Anodized X 27'				1
6	498011033	End Cap, Bleacher Plank	2	2	2	2
7	6044-11-00	1/8" Pop Rivet	4	4	4	4
8	498001064	Plastic Cap (Factory Installed)	4	6	8	10
<b>Assembled Weight</b>			<b>36 Lbs.</b>	<b>61 Lbs.</b>	<b>83 Lbs.</b>	<b>105 Lbs.</b>

Item	Part Number	Description	Qty Required			
			7'-6"	15'	21'	27'
1	498001371	Frame In Ground With Back	2	3	4	5
2	498011035	Mounting Clip	16	24	32	40
3	501-5-18-16G	Carriage Bolt 5/16" X 1"	16	24	32	40
4	548-5-18G	Whizlock Nut 5/16"	16	24	32	40
5	198011026-8AN	Plank, Seat 10" Anodized X 7.5'	2			
	198011026-15AN	Plank, Seat 10" Anodized X 15'		2		
	198011026-21AN	Plank, Seat 10" Anodized X 21'			2	
	198011026-27AN	Plank, Seat 10" Anodized X 27'				2
6	498011033	End Cap, Bleacher Plank	4	4	4	4
7	6044-11-00	1/8" Pop Rivet	8	8	8	8
8	498001064	Plastic Cap (Factory Installed)	4	6	8	10
<b>Assembled Weight</b>			<b>66 Lbs.</b>	<b>112 Lbs.</b>	<b>153 Lbs.</b>	<b>194 Lbs.</b>

The benches can be pre-assembled before installing into the ground, or the individual frame posts can be installed into the ground and the bench assembled after the concrete cures. These instructions are written for the bench to be pre-assembled and then installed into the ground. This method allows the installer to block under the seats between the posts to support the entire bench structure at the proper depth while the concrete cures and doesn't require individual support or alignment of the posts. In either method, the holes for the posts should be dug prior to beginning assembly of the bench. Refer to pages 4 and 5 for the proper size and location of the holes.

## Assembly

1. The Plastic Caps (Item 8) are pre-installed at the factory, but are shown for reference should they be required for replacement. Refer to Figure 1 for without back models and Figure 2 for with back models.
2. Place each frame about 6' apart (4'-6" for the Models BE08IG and BE08IGWB). Begin installing the bench seat by inserting the mounting clips into the channel of the bench and securing with the 5/16" carriage bolt and 5/16" Whizlock nut. Install all clips before tightening any bolts.
3. Align the bench frames with the seat as shown in the final assembly illustration on page 6. Tighten all the mounting clip bolts.

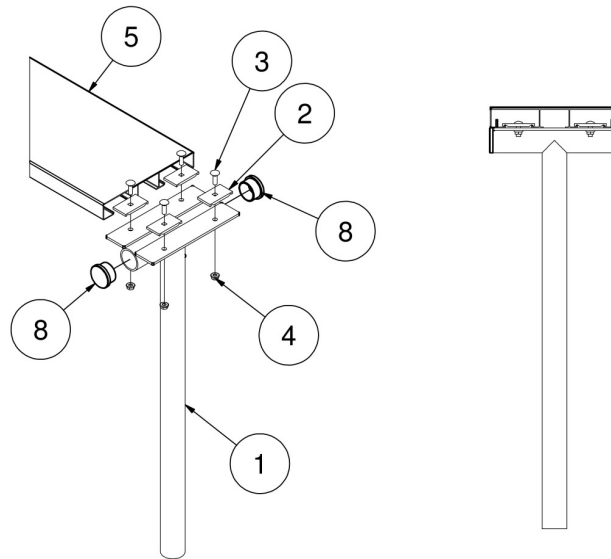


Figure 1

4. Install the seat back on "with back" models using the same method as mounting the seats. Refer to Figure 2.

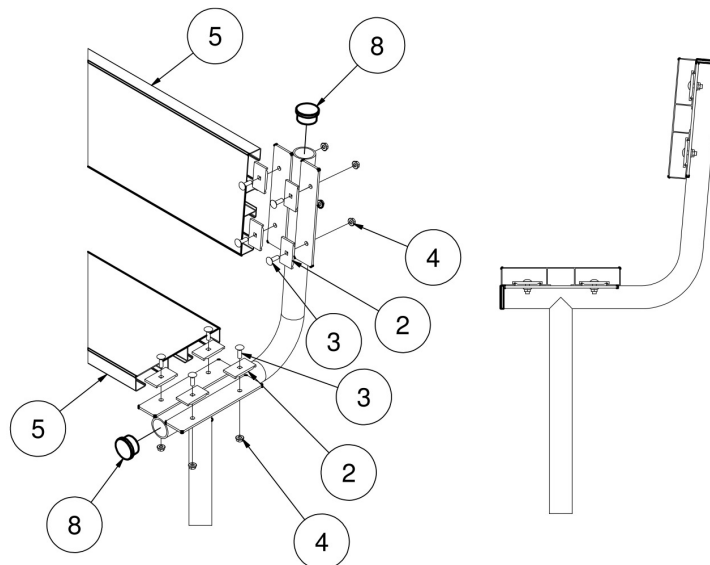


Figure 2

5. Install the end caps on each end of the seat planks and foot planks. Slide the end cap onto the plank with the holes on the underside of the plank. Using the holes in the end cap for a guide, insert the pop-rivets to retain the end caps.

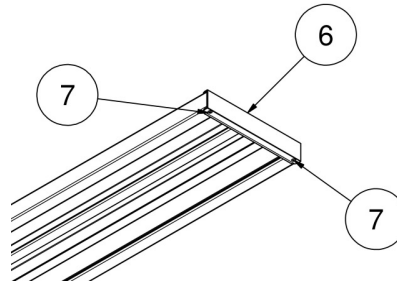


Figure 3

6. Holes should be dug to the dimensions shown in Figure 4. In areas where freezing and thawing are prevalent, make sure the depth of the holes are below the frost line for that geographic area. See sheet 5 for the correct spacing of the holes.
7. Position the assembled bench over the holes and support with temporary blocking to the correct seat height (Refer to Figure 4). Make sure the seat is level and the frame posts are centered in the holes.

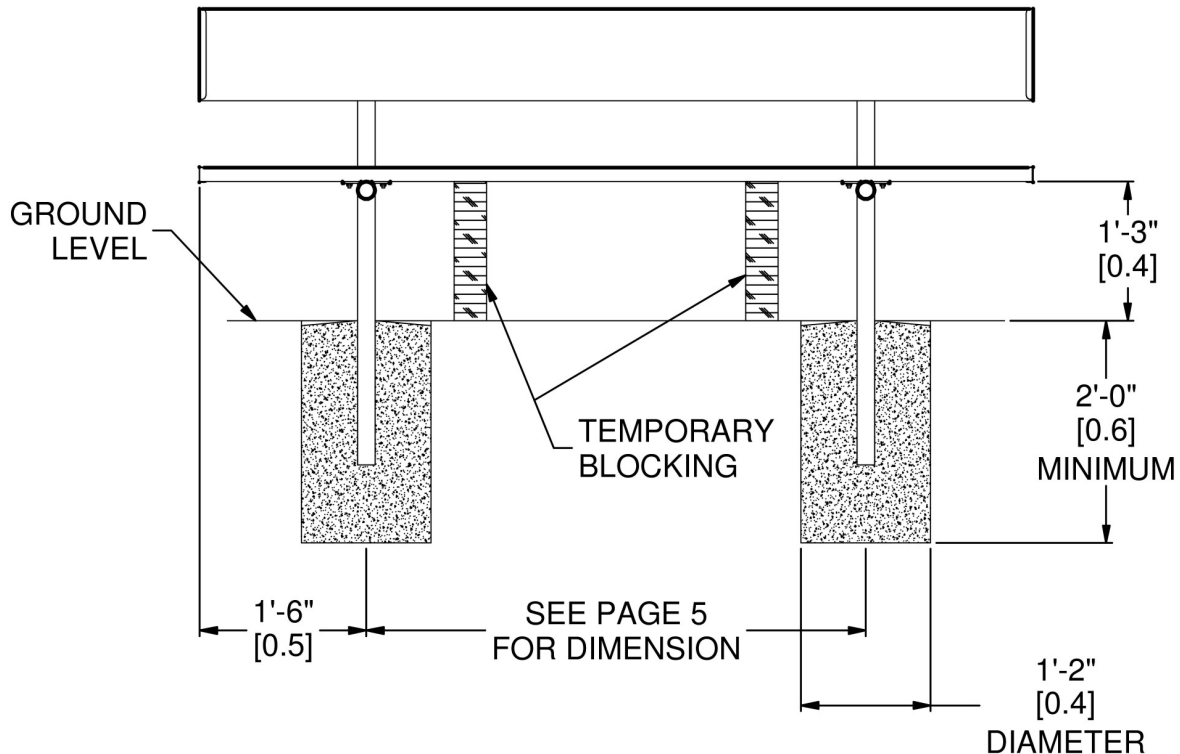
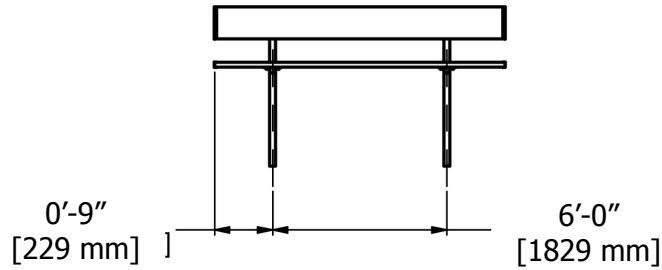


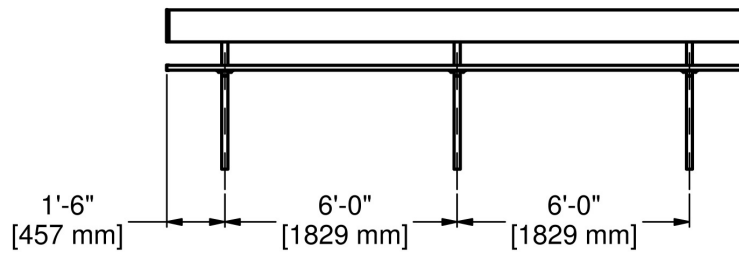
Figure 4

8. Pour the concrete into each hole to ground level. Slope the concrete away from the post to allow for water shed and prevent possible rusting of the post at the ground level. Allow concrete to completely cure before removing the temporary blocking.

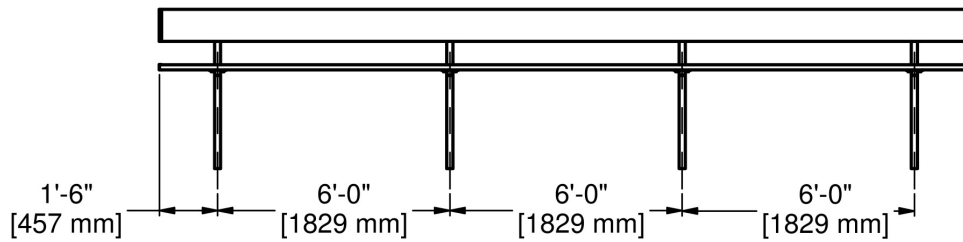
**Hole Location Illustration**



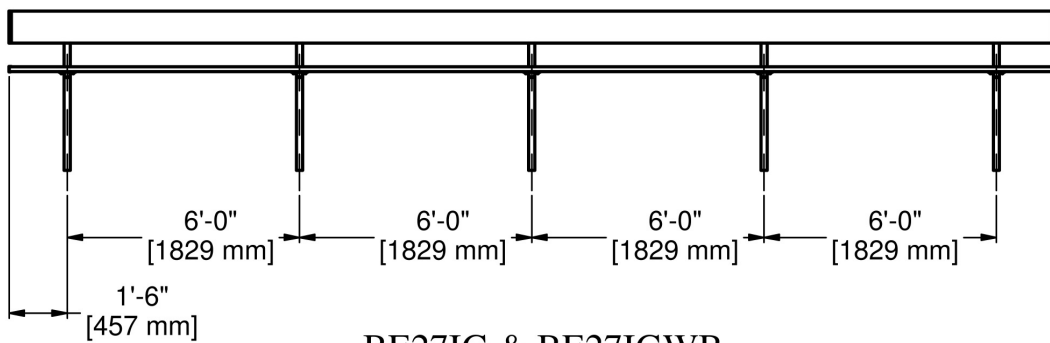
**BE08IG & BE08IGWB**



**BE15IG & BE15IGWB**

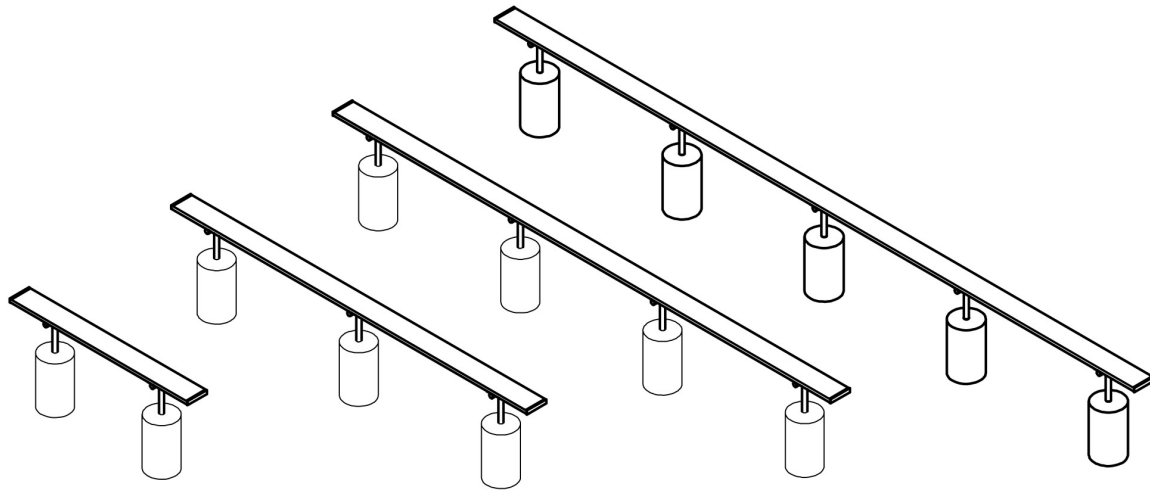


**BE21IG & BE21IGWB**



**BE27IG & BE27IGWB**

**Final Assembly Illustration**

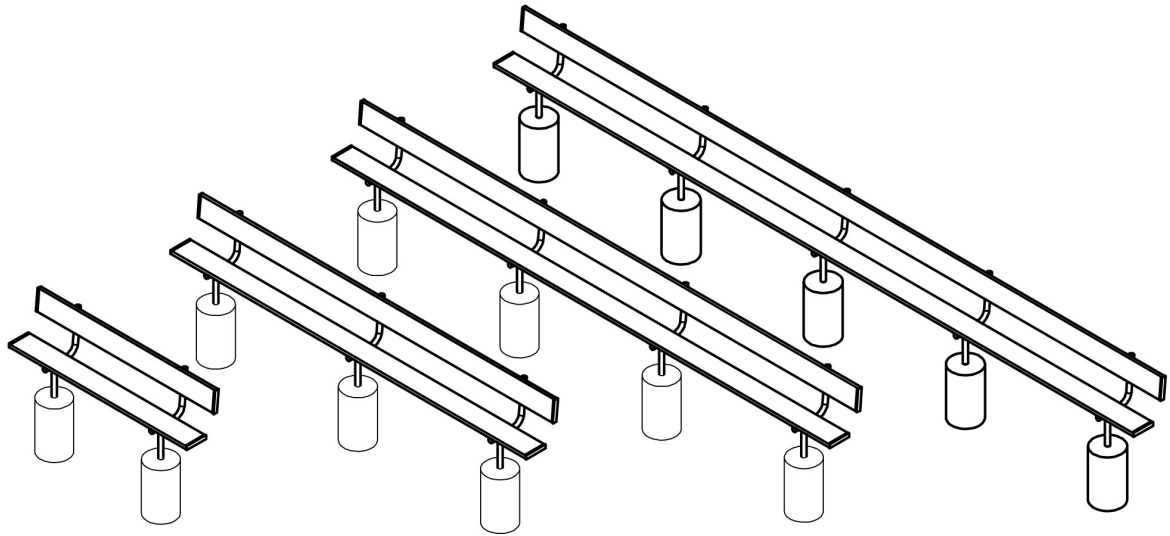


BE08IG

BE15IG

BE21IG

BE27IG



BE08IGWB

BE15IGWB

BE21IGWB

BE27IGWB



## Permanent Aluminum Benches



### Gared Holdings, LLC

Performance Sports Systems  
9200 E. 146<sup>th</sup> Street  
Noblesville, IN 46060

800-848-8034  
[www.perfsports.com](http://www.perfsports.com)

Gared Sports  
707 North 2<sup>nd</sup> Street  
St. Louis, MO 63102

800-325-2682  
[www.garedsports.com](http://www.garedsports.com)