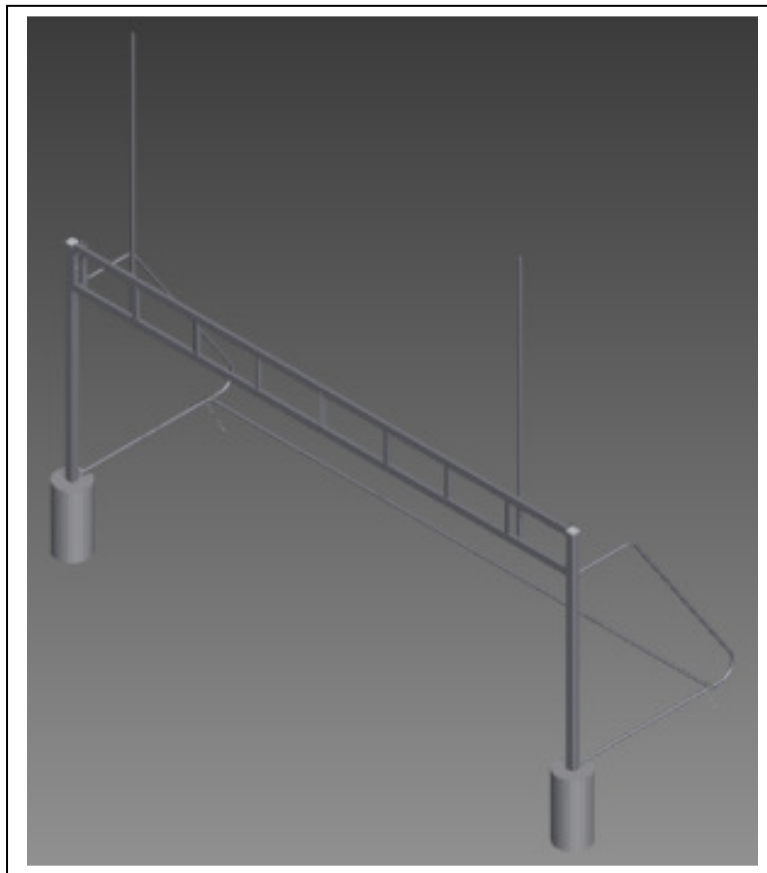




## **FOOTBALL/SOCCER COMBO GOAL**

**Models: FGP 200**



### **Installation, Operation and Maintenance Instructions**

.....  
**Please read all instructions before attempting installation or operation of these units**  
.....

**SAVE THESE INSTRUCTIONS FOR FUTURE USE**

PUBLICATION No.  
6 5 1 7 5 3 9 1 6



## FGP 200



### *Table of Contents*

<b><u>Section</u></b>	<b><u>Page No.</u></b>
Introduction	2
Cautions and Warnings	3
Parts Checklist	4
Assembly and Setup	5



## FGP 200



### ***Introduction***

Thank you for your purchase of a Gared Sports model FGP 200. To ensure that our equipment will provide years of use to you, we are including this installation, operation, and maintenance guide. This guide will provide information on the proper assembly and installation methods, operating procedures, and preventative maintenance of your portable backstop.

Please note that a Bill of Materials is being included with this guide. Please check that all of the parts called out on the Bill of Materials are present prior to beginning assembly and setup. Please do not substitute for factory parts. Please contact the Gared Sports customer service department and allow them to determine if substitute parts are acceptable.

It is recommended that an individual who has been properly trained perform assembly and set up of the backstop. No one under the age of 18 should attempt assembly or set up of the unit, unless properly supervised.

To prevent normal wear and tear from shortening the life of the unit, preventative maintenance inspections and repairs should be performed at least once per year. If the units are subject to high or unusual usage, inspections should be scheduled to occur more frequently. If items are found to be nonconforming, replacements can be ordered from Gared Sports or one of our authorized dealers. When contacting Gared Sports, please have information regarding the dealer/installer who sold the unit, the name of the project, and any applicable warranty information.



Read and understand the following warnings to prevent possible personal injury and potential damage to the equipment during assembly, setup, and operation.

## **WARNING**

Portable or Movable Soccer Goals can fall over causing serious injury or death. Anchors must be properly installed and used on all portable or moveable soccer goals at ALL times.

## **WARNING**

Do not allow persons to hang on Football Goal Post. Serious injury may occur from a fall. All football goal posts must be installed properly to avoid injury from tip over. Read and understand all assembly instructions.

Before proceeding with assembly, **read all instructions and assembly procedures**. Make sure all parts have been received and are not damaged.



# FGP 200



## Parts Checklist

Verify all parts listed on packing list are present prior to installation.

### The following parts have been packed separately

If parts are needed please refer to the part number at time of replacement order is made.

Item	Part Number	Description	Qty
1	101653829	VINYL END CAP, 4" SQUARE	2
2	501-5-18-40	BOLT, CARRIAGE 5/16-18 UNC X 2.5	2
3	502-6-16-12Z	HEX BOLT, 3/8-16 UNC X 0.75	8
4	502-6-16-40	HEX BOLT, 3/8-16 UNC X 2.5	4
5	502-8-13-16	HEX BOLT, 1/2-13 UNC X 1	3
6	502-8-13-48	HEX BOLT, 1/2-13 UNC X 3	2
7	502-8-13-80	HEX BOLT, 1/2-13 UNC X 5	6
8	545-5-18Z	HEX NUT NYLON LOCK 5/16-18	2
9	545-6-16Z	HEX NUT NYLON LOCK 3/8-16	4
10	548-8-13	HEX NUT, SERRATED FLANGE 1/2-13	11
11	561-5	FLAT WASHER 5/16	2
12	562-6	SPLIT LOCK WASHER 3/8	8
13	651652463	BACKSTAY FOR 8' HIGH SOCCER GOAL	2
14	651652570	J-STAKE ANCHOR	4
15	651652575	BACKSTAY BRACE TUBE 24' GOALS	1
16	651653590	CLAMP (2HALVES), SOCCER GOAL	2
17	651653682	BRACKET, BACKSTAY ATTACHMENT	4
18	656253880	GROUND SLEEVE ASSEMBLY, 4" SQ.	2
19	656253903	HORIZONTAL MAST, COMBO GOAL	2
20	656253909	MAIN POST COMBO GOAL 4" SQ	2
21	656253912	UPRIGHT TUBE, COMBO GOAL POST	2
22	656253894	CAP, GROUND SLEEVE, 4" SQ.	2
23		SOCCER NET	1

Contact Gared Customer Service at 800-325-2682 for assistance with replacement of any parts missing or damaged.

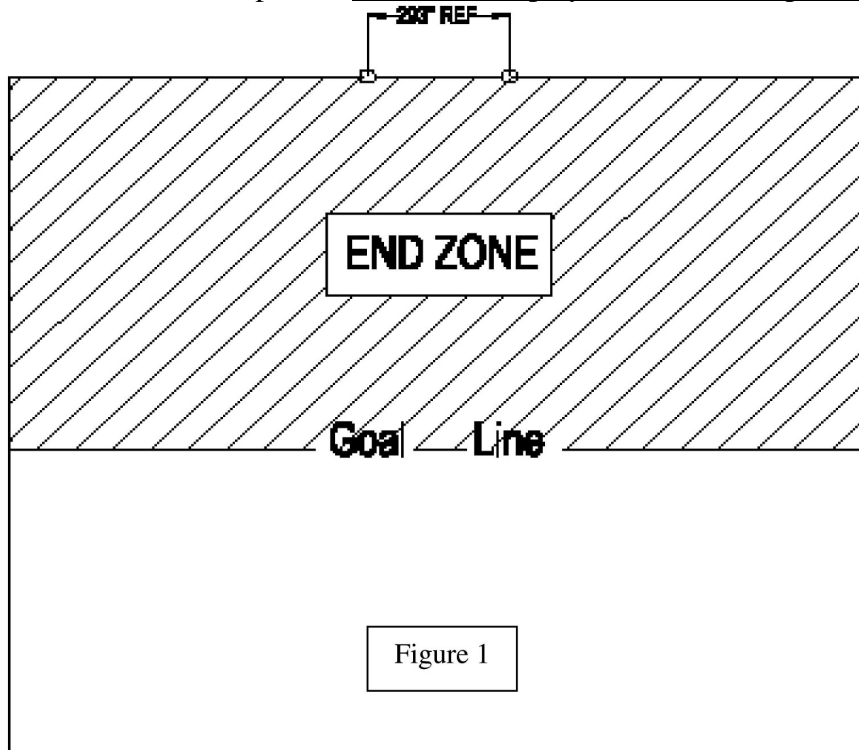
**INSTALLATION INSTRUCTIONS**

Tools Required:

- Wrench sizes needed
- 1/2
- 9/16
- 3/4
- Hammer
- Concrete tools

***Preparation for installation***

1. Layout the location for the holes on the field. For the FSG 200 permanent series goals (4" square posts), the center of the hole must be centered on a line at the back of the end zone.
2. Dig the hole as shown in Figure 1, for the typical installation, Figure 1 shows a dimension for reference of installation. (See not 3)
3. Approximately, 2 foot has been added to the post length for placement of goal post in concrete. A 6" base of gravel is recommended and a drain tube used for post drainage. It is highly recommended that the goal is fully assembled before setting in concrete. The rule restrictions applied for the goal in either sport, set the exact height and width, with strict numbers. Adjustments after installation will be difficult, if not impossible.
4. A secondary support system during construction will insure proper settings for goal placement. Please note the bottom edge of the horizontal mast is to be 96" from ground level; the top surface is to be 120". Check for plumb in all directions and placement of bolts should put the head towards play area whenever possible.



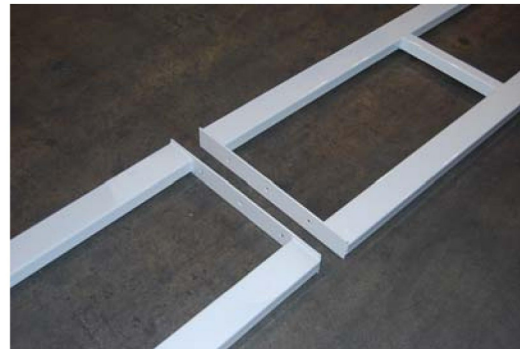
## Goal Assembly

Lay out the components for the goal on the ground in position to be connected together. Refer to the following pictures for general layout of parts.



Make sure the cross bar sections are positioned with the upright support tube facing up.

Once the components are laid out, begin by bolting the two crossbar sections together in the middle using three ½” diameter bolts and nuts.



Next slide the main post up to each end and bolt the post to the crossbar end using three ½” diameter bolts. When the posts are bolted to the crossbars, slide the upright tube into the square receiver tube on the crossbar. The outermost receiver tubes are for high school location and the inner receiver tubes are for college location.

Bolt the upright into the receiver tube at the bottom of the crossbar location using one ½” bolt.





Install the backstay brackets onto the post using two 3/8" bolts at each bracket. Note: the post is tapped, so no nuts are required here. Next set the crossbar into the bracket and bolt with a 3/8" diameter bolt an nut at each attachment point.

The goal is now ready to be set up into the holes and have the concrete poured. Or if using the ground sleeves, the unit can be set up and inserted into the ground sleeves that have already been installed in the ground.

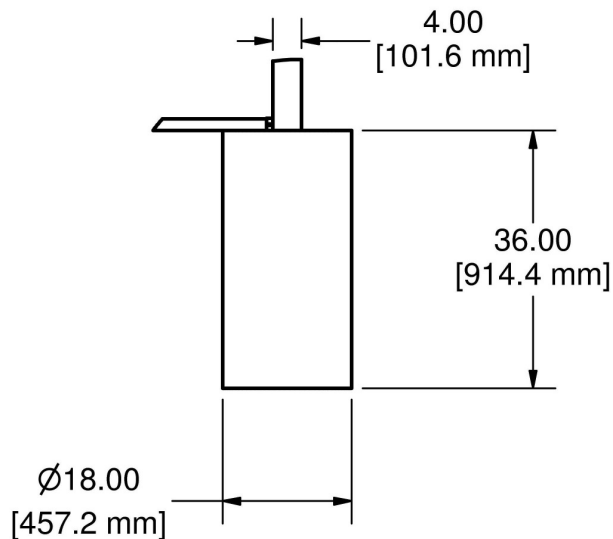


Figure 2



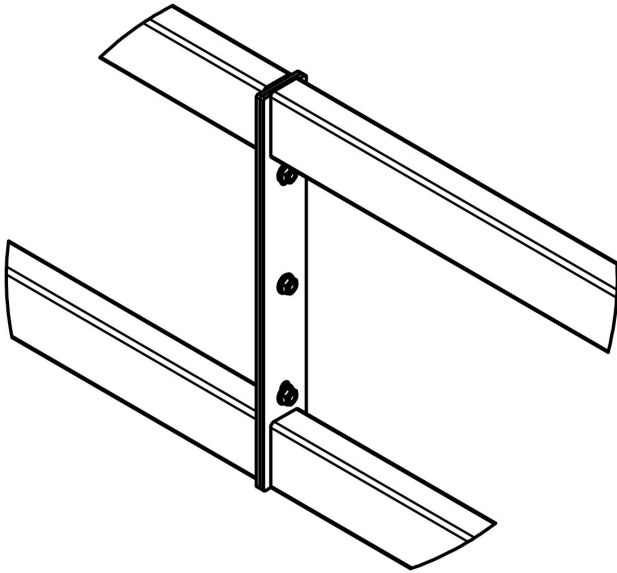


Figure 2

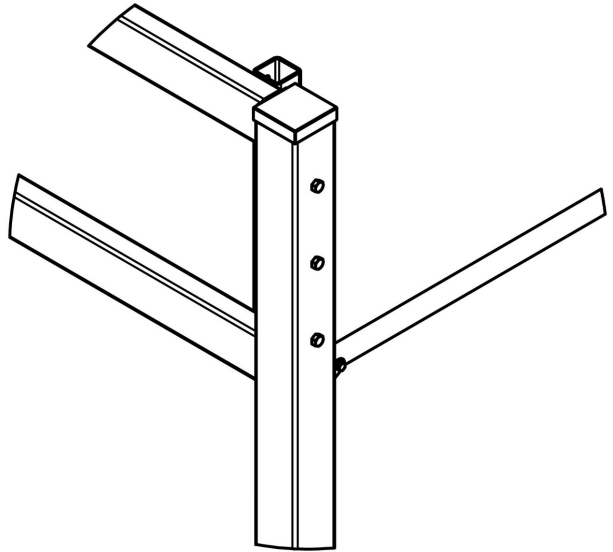


Figure 3



**Gared Holdings, LLC**

**Performance Sports Systems**  
9200 E. 146<sup>th</sup> Street  
Noblesville, IN 46060

800-848-8034  
[www.perfsports.com](http://www.perfsports.com)

**Gared Sports**  
707 North 2<sup>nd</sup> Street  
St. Louis, MO 63102

800-325-2682  
[www.garedsports.com](http://www.garedsports.com)