

Installation and Assembly Instructions



Gared Holdings, LLC
 9200 E. 146th St.
 Noblesville, IN 46060

21' ALUMINUM LOW RISE BLEACHER 3 ROW WITH DOUBLE FOOT PLANKS

FILE LOC. Q:\Inventor Files\Installation Instructions\490,000,000

DATE	SHT. NO.	PART NO.	REV
3/27/2014	1 OF 4	GSNB0321DFLR ai	

MATERIAL LIST				
ITEM	QTY	PART NUMBER	DESCRIPTION	LENGTH
1	4	198011026-21	PLANK, FOOT 10" MILL FINISH X 21'	252.00 in
2	3	198011031-21AN	PLANK, SEAT 12" ANNODIZED X 21'	252.00 in
3	8	498011033	END CAP, BLEACHER SEAT	
4	56	498011035	MOUNTING CLIP	
5	4	498011053	LOW RISE FRAME WELDMENT 3 ROW	
6	6	498011243	END CAP, 12" BLEACHER PLANK	
7	6	498011350	BRACE ANGLE - 74.5" LONG	
8	28	6044-11-00	1/8" POP RIVET	
9	56	501-5-18-16G	BOLT, CARRIAGE 5/16-18 UNC X 1 GALV	
10	11	502-6-16-16G	HEX BOLT, 3/8-16 UNC X 1 GALV	
11	56	548-5-18G	HEX NUT, SERRATED FLANGE 5/16-18 GALV	
12	11	548-6-16G	HEX NUT, SERRATED FLANGE 3/8-16 GALV	

1. Pre-assemble the braces by laying them out in pairs. Place the angles in each pair back to back and connect with a 3/8" x 1" hex bolt and 3/8" Whizlock nut as shown in Figure 1.

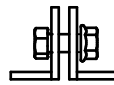
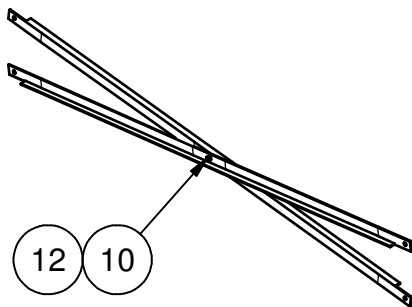


Figure 1

2. Lay out the Frame weldments approximately 6' apart. Install the brace sub-assemblies from step 1 using the 3/8" x 1" hex bolts and 3/8" whizlock nuts as shown in Figure 2.

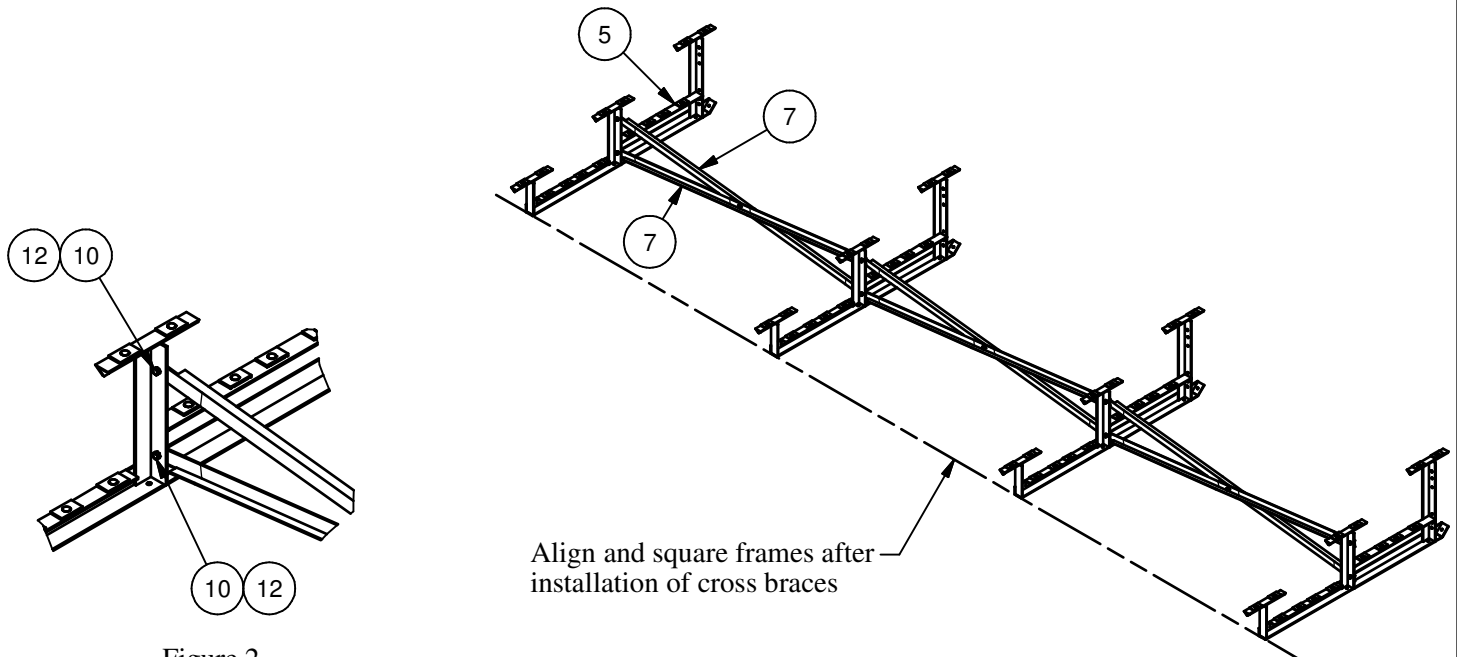


Figure 2

Installation and Assembly Instructions



Gared Holdings, LLC
9200 E. 146th St.
Noblesville, IN 46060

21' ALUMINUM LOW RISE BLEACHER 3 ROW WITH DOUBLE FOOT PLANKS

FILE LOC. Q:\Inventor Files\Installation Instructions\490,000,000

DATE	SHT. NO.	PART NO.	REV
3/27/2014	2 OF 4	GSNB0321DFLR ai	

3. Install the end caps on each end of the seat planks, foot planks, and riser planks. Slide the end cap onto the plank with the holes on the underside of the plank. Using the holes in the end cap for a guide, drill a 1/8" hole and install the pop rivets to retain the end caps. See Figure 3.

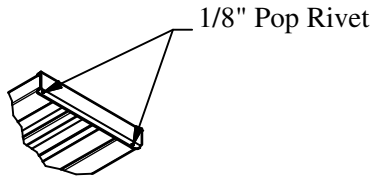


Figure 3

4. Install the foot planks using the mounting clips, 5/16" carriage bolts, and 5/16" Whizlock. These mounting clips, bolts, and nuts are required at every frame position. Pre-install the mounting clips on the frame using the 5/16" x 1" carriage bolt and 5/16" whizlock nut. Only start the nuts a few threads to allow for the clips to be lifted and rotated into the channel of the bleacher plank.

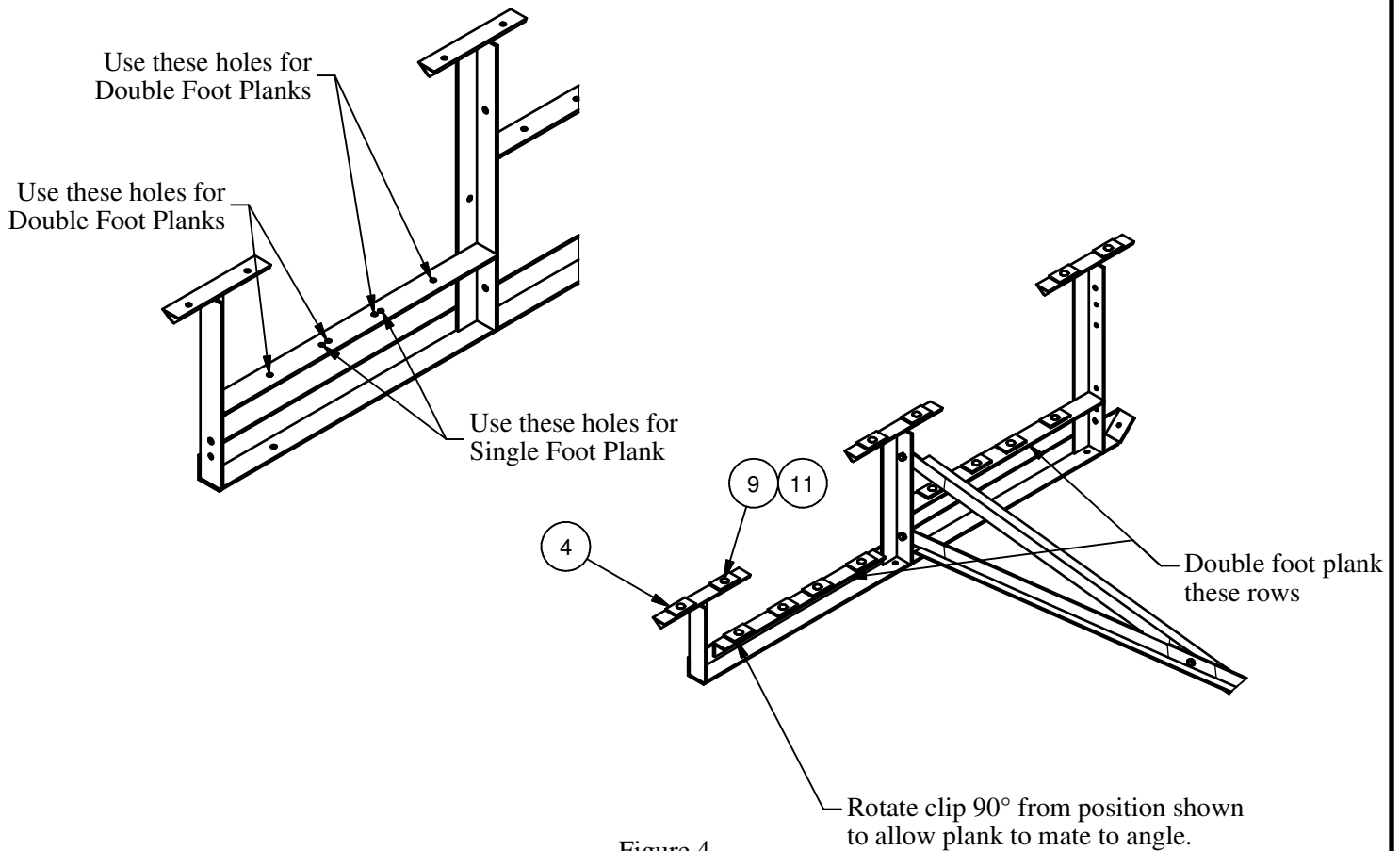


Figure 4

Note: Double foot planks are used on all foot rows. Install all foot planks before installing the seat planks.

Installation and Assembly Instructions

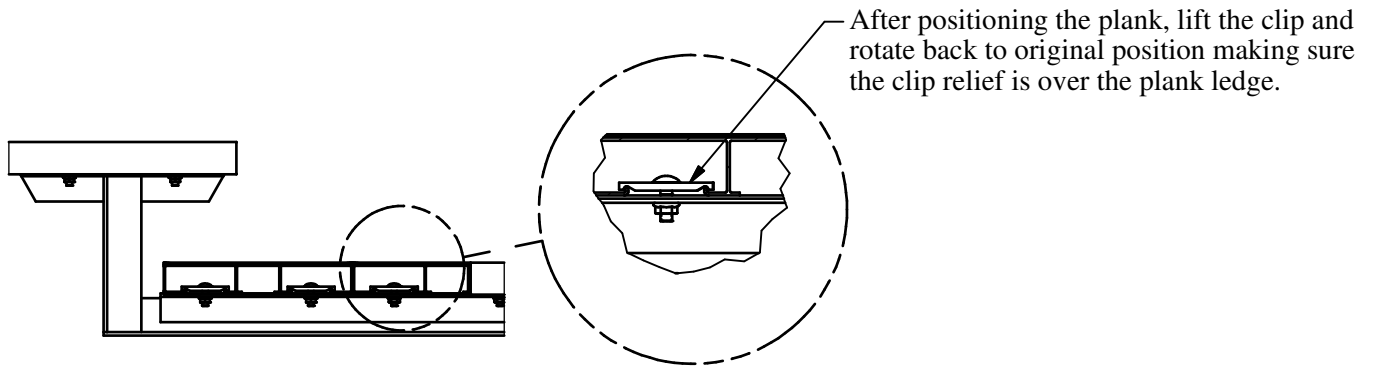


Gared Holdings, LLC
9200 E. 146th St.
Noblesville, IN 46060

21' ALUMINUM LOW RISE BLEACHER 3 ROW WITH DOUBLE FOOT PLANKS

FILE LOC. Q:\Inventor Files\Installation Instructions\490,000,000

DATE	SHT. NO.	PART NO.	REV
3/27/2014	3 OF 4	GSNB0321DFLR ai	



Plank Clip Illustration

5. Before tightening the foot plank bolts, align all the planks and make sure the planks are centered on the assembled frame. See Figure 5 for reference dimensions.

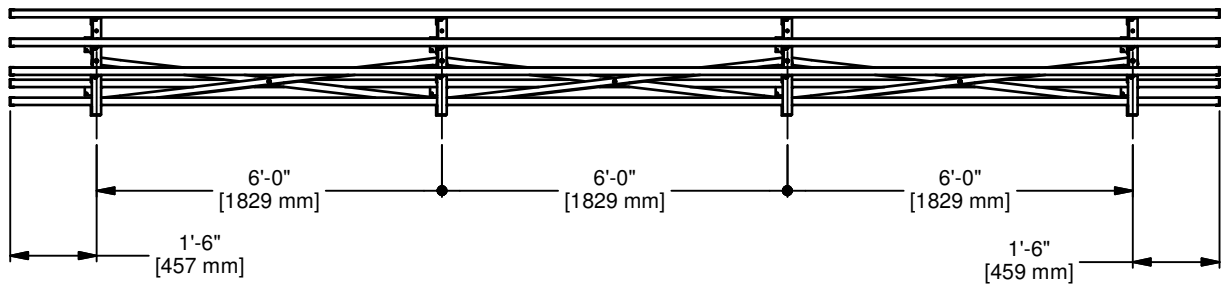


Figure 5

6. Install the seat planks using the mounting clips, 5/16" x 1" carriage bolts, and 5/16" whizlock as shown in figure 4. Note: these mounting clips, bolts, and nuts are required at every frame position.

7. Before tightening the seat plank bolts, align all the planks and make sure the planks are centered on the assembled frame. See Figure 5 for reference dimensions.

8. Check all bolted connections and insure all bolts are securely tightened.

The bleacher assembly is now complete. Position the bleacher into the desired location and anchor as required by local codes.

Installation and Assembly Instructions



Gared Holdings, LLC
9200 E. 146th St.
Noblesville, IN 46060

21' ALUMINUM LOW RISE BLEACHER 3 ROW WITH DOUBLE FOOT PLANKS

FILE LOC. Q:\Inventor Files\Installation Instructions\490,000,000

DATE	SHT. NO.	PART NO.	REV
3/27/2014	4 OF 4	GSNB0321DFLR ai	