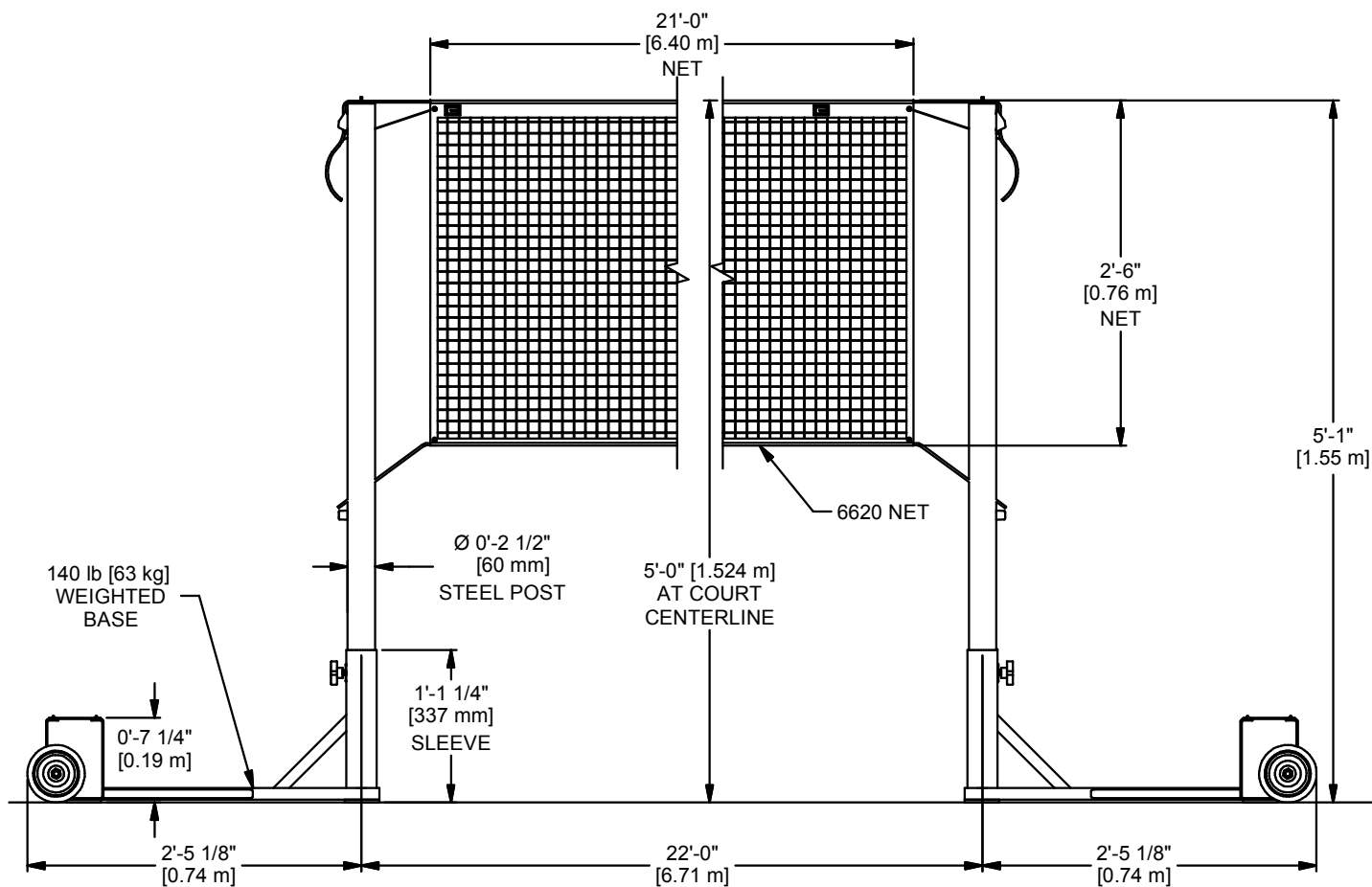


DETAIL B



|     |     |          |
|-----|-----|----------|
| A   | WDC | 06-30-20 |
| REV | BY  | DATE     |



Gared Holdings, LLC  
9200 E. 146th St. Noblesville, IN 46060

THIS DOCUMENT CONTAINS TRADE SECRET AND OTHER MATERIALS WHICH ARE PROTECTED BY CONFIDENTIALITY NOTICE AND AGREEMENT AND BY COPYRIGHT. ANY USE OR COPYING OF THIS DOCUMENT EXCEPT AS AUTHORIZED BY GARED HOLDINGS, LLC IS STRICTLY PROHIBITED.

HEAVY DUTY PORTABLE BADMINTON - RND POST

|   |                    |                           |
|---|--------------------|---------------------------|
| DRAWN<br>CONNERLEY  | DATE<br>11/15/2010 | DATE ISSUED<br>11/15/2010 |
| APPROVED<br>CONNERLEY   | DATE<br>11/15/2010 |                           |
| FILE LOC. Q:\Inventor Files\Specification Files\11_Volleyball |                    |                           |
| SIZE<br>A   | SCALE<br>NONE      | SHT. NO.<br>1 OF 2        |
| PART NO.<br>6640  |                    | REV<br>A                  |



## **MODEL 6640**

### **HEAVY DUTY PORTABLE BADMINTON SYSTEM, 2 3/8" ROUND**

#### **RECOMMENDED APPLICATION**

Designed for competition or recreational applications that require the versatility of a portable badminton system.

#### **SPECIFICATIONS**

##### **POSTS**

The 6635 Portable Badminton System shall consist of two round uprights constructed of 2-3/8" steel tubing. The uprights shall be connected to a "T" type base weighing 140 lbs for stability. The base shall include 5" diameter polyurethane wheels for transport. The uprights shall have a rope guide on top cap and rope cleat on side of post for attaching the net rope. The uprights and base shall be powder coated white.

##### **NET**

The 6620 Badminton Net shall be 21' in length and 2-1/2' tall. The netting shall be constructed of a durable 3/4" nylon mesh with vinyl boarders.