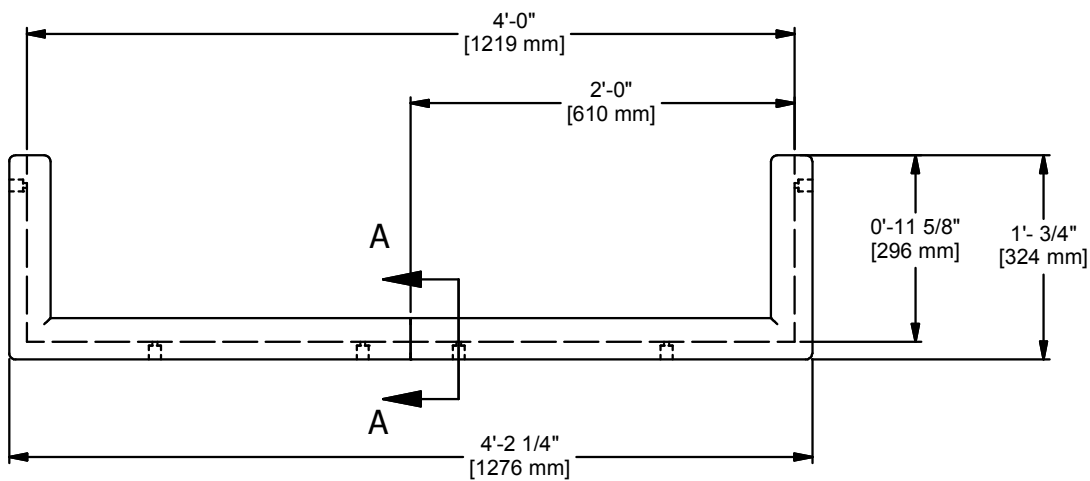
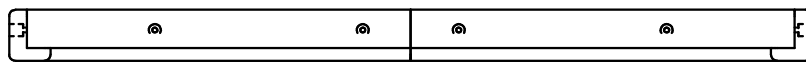


SECTION A-A



NOTES:

- DESIGNED FOR USE ON 48" STEEL OR ALUMINUM FRAMED BOARDS. NOT RECOMMENDED FOR WOOD OR FIBERGLASS BOARDS OR ANY FAN SHAPED BOARDS.
- CONSTRUCTED OF BLACK MOLDED URETHANE FOAM
- MOUNTING HARDWARE INCLUDED.

A	WDC	05-13-20
REV	BY	DATE



Gared Holdings, LLC  
9200 E. 146th St. Noblesville, IN 46060

THIS DOCUMENT CONTAINS TRADE SECRET AND OTHER MATERIALS WHICH ARE PROTECTED BY CONFIDENTIALITY NOTICE AND AGREEMENT AND BY COPYRIGHT. ANY USE OR COPYING OF THIS DOCUMENT EXCEPT AS AUTHORIZED BY GARED HOLDINGS, LLC IS STRICTLY PROHIBITED.

MOLDED CUSHION EDGE 48" BACKBOARD

DRAWN	CROSBY	DATE	5/13/2020	DATE ISSUED
APPROVED		DATE		

FILE LOC. Q:\Inventor Files\Specification Files\06\_Outdoor Products

SIZE	SCALE	SHT. NO.	PART NO.	REV
A		1 OF 2	LSCE48	A



**MODEL LSCE48**  
**MOLDED CUSHION EDGE**

**APPLICATION**

The backboard padding is 1 1/8" thick, urethane foam that protects the players while the skin molding process protects the padding. Each half is 24" long and allows for 12" to run up the side of the rectangular backboard. Each half is "L" shaped and molded in right hand and left hand sections. Half sections bolt to all 48" acrylic and glass backboards that have a width of 2". Recommended for use on all outdoor acrylic and glass 48" backboards.

Mounting hardware is included.

Available in Black only.

Subject to design change and current manufacturing practices.  
©2008 Gared Holdings, LLC