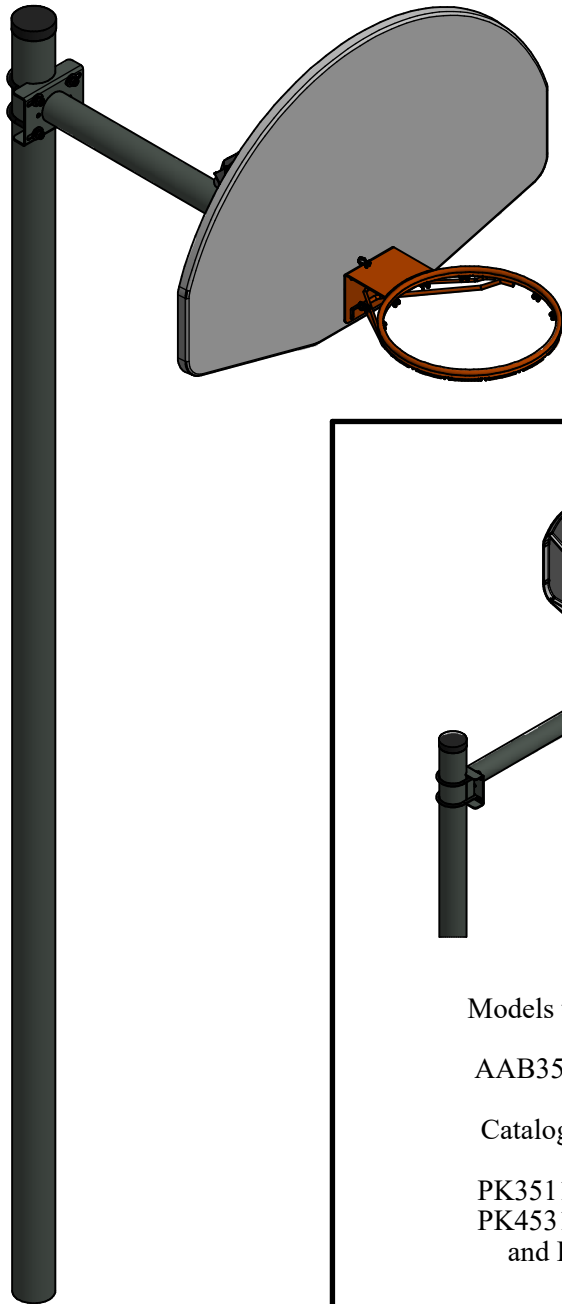
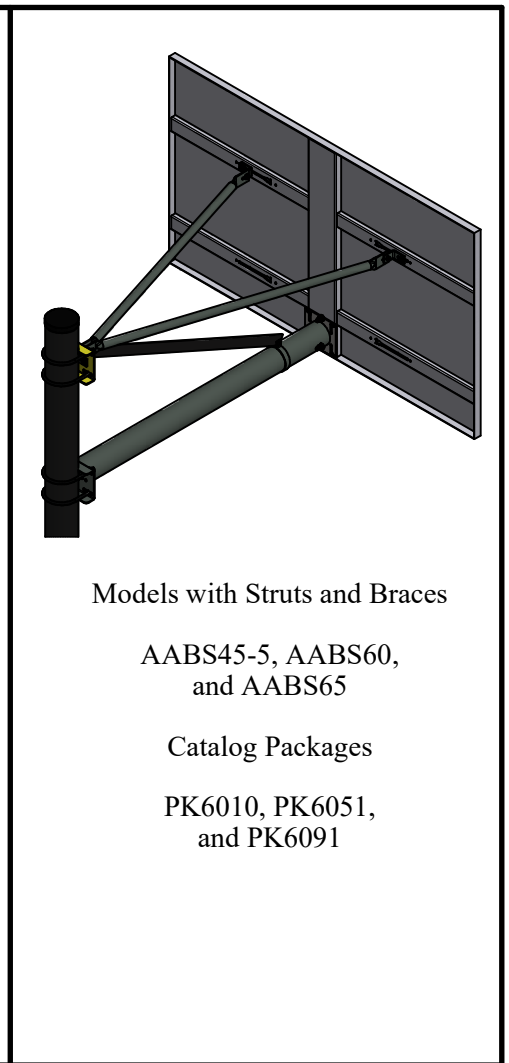


# Straight Post Backboard Systems



Models with Braces  
 AAB35 & AAB45  
 Catalog Packages  
 PK3511, PK3531,  
 PK4531, PK4541,  
 and PK4551



Models with Struts and Braces  
 AABS45-5, AABS60,  
 and AABS65  
 Catalog Packages  
 PK6010, PK6051,  
 and PK6091

## Installation and Assembly Instructions



Gared Holdings, LLC  
 9200 E. 146th St.  
 Noblesville, IN 46060

### STRAIGHT POST BACKBOARD SYSTEM

FILE LOC. Q:\Inventor Files\Installation Instructions\Outdoor Products

DATE	SHT. NO.	PART NO.	REV
9/30/2015	1 OF 13	401755234	B

# **WARNING**

ONLY AUTHORIZED PERSONNEL SHOULD INSTALL AND/OR MAKE ADJUSTMENTS TO THIS EQUIPMENT. ANY ATTEMPT BY UNAUTHORIZED PERSONNEL TO ADJUST EXTENSION ARM, BACKBOARD, OR GOAL MAY RESULT IN DAMAGE TO THE EQUIPMENT OR SERIOUS PERSONAL INJURY.

This guide will provide information on the proper assembly and installation methods of your straight post backboard system.

Please note that a Bill of Materials is being included with this guide. Please check that all of the parts called out on the Bill of Materials are present prior to beginning assembly and setup. This manual refers to all models of the Gared Straight Post Backboard system and therefore some parts shown in the Bill of Material may not be required on your model. Refer to the assembly instructions for correct parts to be used in the installation.

Please do not substitute for factory parts. Please contact the Gared Customer Service department and allow them to determine if substitute parts are acceptable.

It is recommended that an individual who has been properly trained perform assembly and set up of the backstop. No one under the age of 18 should attempt assembly or set up of the unit, unless properly supervised.

To prevent normal wear and tear from shortening the life of the unit, preventative maintenance inspections and repairs should be performed at least once per year. If the units are subject to high or unusual usage, inspections should be scheduled to occur more frequently. If items are found to be nonconforming, replacements can be ordered from Gared Sports and/or Performance Sports Systems or one of our authorized dealers. When contacting Customer Service, please have information regarding the dealer/installer who sold the unit, the name of the project, and any applicable warranty information.

**Performance Sports Systems**  
800-848-8034  
www.perfsports.com

**Gared Sports**  
800-325-2682  
www.garedsports.com  
CustomerService@garedsports.com

## Installation and Assembly Instructions



Gared Holdings, LLC  
9200 E. 146th St.  
Noblesville, IN 46060

### STRAIGHT POST BACKBOARD SYSTEM

FILE LOC. Q:\Inventor Files\Installation Instructions\Outdoor Products

DATE	SHT. NO.	PART NO.	REV
9/30/2015	2 OF 13	401755234	B

### Package Component List

	Catalog Package	Post	Arm	Board	Goal	Brace	Strut	Brace Kit
3 1/2" O.D. w/ 3' ext	PK3511	AAB35-1	AAB35-2	1750	39WO	AAB35-12	NONE	15A353942
	PK3531	AAB35-1	AAB35-2	BB48A38	5500	AAB35-12-BB60	NONE	15A353942 & 15B603949
	AAB35	AAB35-1	AAB35-2	* Braces and Brace kits shown are for all boards except Acrylic and Glass		AAB35-12	NONE	15A353942
	AAB35R	AAB35-1	AAB35-2R			AAB35-12	NONE	15A353942
4 1/2" O.D. w/ 4' ext	PK4531	AAB45-26	AAB45-27	1245T	240	AAB35-12	NONE	15A453943
	PK4541	AAB45-26	AAB45-27	1750B	240	AAB35-12	NONE	15A453943
	PK4551	AAB45-26	AAB45-27	1260B	240	AAB35-12	NONE	15A453943
	AAB45	AAB45-26	AAB45-27	* Braces and Brace kits shown are for all boards except Acrylic and Glass		AAB35-12	NONE	15A453943
	AAB45R	AAB45-26	AAB45-27R			AAB35-12	NONE	15A453943
	AABS45-5	AABS45-1	AABS45-2			AABS45-14	AABS45-12	15A553950
5 9/16" O.D. w/ 5' ext	PK6051	AABS60-32	AABS60-33	1272B	7550	AABS45-14	AABS45-12	15A603944
	PK6091	AABS60-32	AABS60-33	BB72G50	5500	AABS45-14	AABS45-12	15A603944 & 15B603949
	AABS60	AABS60-32	AABS60-33	* Braces and Brace kits shown are for all boards except Acrylic and Glass		AABS45-14	AABS45-12	15A603944
6 5/8" O.D. w/ 6' ext	PK6010	AABS65-32	AABS65-33	1272B	7550	AABS65-47	AABS65-45	15A653945
	AABS65	AABS65-32	AABS65-33	* Braces and Brace kits shown are for all boards except Acrylic and Glass		AABS65-47	AABS65-45	15A653945
* Braces and Brace kits for Acrylic and Glass backboards will be:						AAB35-12-BB60		Listed Kit + 15B603949

Note 1) AAB35 backboard options are: 1750, or BB48A38  
 AAB45 backboard options are: 1245T, 1260B, or 1750B  
 AAB60 backboard options are: 1272B, or BB72G50  
 AAB65 backboard options are: 1272B, or BB72G50

Note 2) AAB35 goal options are: 39WO (used with all except 1266 & BB48A38), & 5500 ( used with BB48A38)  
 AAB45 goal options are: 240 (used with all except 1266 & BB60A38)  
 AAB60 goal options are: 7550 (used with 1272B), 5500 (used with BB72G50)  
 AAB65 goal options are: 7550 (used with 1272B), 5500 (used with BB72G50)

Note 3) The brace P/N AAB35-12 (used on AAB35 and AAB45) is for all backboards except the BB48A38, BB60A38, BB60G38, BB72A38, & BB72G50 which uses brace P/N AAB35-12-BB60

Note 4) This brace attach kit is only required when installing the BB48A38, BB60A38, BB60G38, BB72A38, or BB72G50 backboard

### Installation and Assembly Instructions



Gared Holdings, LLC  
 9200 E. 146th St.  
 Noblesville, IN 46060

<b>STRAIGHT POST BACKBOARD SYSTEM</b>			
FILE LOC. Q:\Inventor Files\Installation Instructions\Outdoor Products			
DATE	SHT. NO.	PART NO.	REV
9/30/2015	3 OF 13	401755234	B

PARTS LIST

Item	Part Number	Quantity					Description
		AAB35	AAB45	AABS45-5	AABS60	AABS65	
1	AAB35-1	1	---	---	---	---	POST 3.5 OD X .16 WALL X 126"L.
	AAB45-26	---	1	---	---	---	POST 4.5 OD X .187 WALL X 162"
	AABS45-1	---	---	1	---	---	POST 4.5OD X .187WALL X 186"LONG
	AABS60-32	---	---	---	1	---	POST, 5 9/16" OD X 186"LG, GALV
	AABS65-32	---	---	---	---	1	POST 6.63 OD X .280WT X 186"LONG
2	AAB35-2	1	---	---	---	---	AAB EXTENSION ARM - 3.0 FT.
	AAB45-27	---	1	---	---	---	AAB EXTENSION ARM - 4.0 FT.
	AABS45-2	---	---	1	---	---	ARM WELDMENT, 5FT. EXT 57.5"
	AABS60-33	---	---	---	1	---	AABS60 EXTENSION ARM - 5.0 FT.
	AABS65-33	---	---	---	---	1	AABS65 EXTENSION ARM - 6.0 FT.
3	See Note 1	1	1	1	1	1	BACKBOARD
4	See Note 2	1	1	1	1	1	GOAL
5	AAB35-12	2	2	See Note 3			BRACE,UPPER 1.5"O.D. X 31.25"FORMED
	AABS45-14	---	---	2	2		UPPER BRACE - AABS
	AABS65-47	---	---	---	---	2	BRACE,UPPER AABS 6' EXTENSION
6	AABS45-12	---	---	1	1	---	STRUT - AABS 5 FT. EXT.
	AABS65-45	---	---	---	---	1	STRUT - AABS 6 FT. EXT.
7	15A353942	1	---	---	---	---	AAB35 HARDWARE KIT
	15A553950	---	---	1	---	---	AABS45-5 HARDWARE KIT
	15A453943	---	1	---	---	---	AAB45 HARDWARE KIT
	15A603944	---	---	---	1	---	AABS60 HARDWARE KIT
	15A653945	---	---	---	---	1	AABS65 HARDWARE KIT
7.1	AAB35-3	1	1	1	---	---	CLASP, POST, 3.5 I.D. X 1" WIDE
	AAB60-34	---	---	---	1	1	CLASP, POST, 4.5 I.D. X 1"WIDE
7.2	AAB35-30	1	1	---	---	---	CLASP EXTENSION CUT/PUNCHED
	AABS45-13	---	---	1	---	---	POST HANGER FOR 4.5" POST
	AABS60-41	---	---	---	1	---	POST HANGER FOR 5.5625" PIPE
	AABS65-41	---	---	---	---	1	POST HANGER FOR 6-5/8" POST
7.3	AABS35-18	2	2	4	4	4	MOUNTING BRACKET CUT/PUNCH/FORMED
7.4	101051274	2	---	---	---	---	U- BOLT, 1/2"x 3 1/2"x 6"
	AABS45-25	---	2	4	---	---	U-BOLT,1/2-13 FOR 4.5" I.D.
	AABS60-43	---	---	---	4	---	U-BOLT,1/2-13 X 7.75"LG. 5.594ID
	AABS65-43	---	---	---	---	4	U-BOLT - FOR 6.625 PIPE
7.5	101651196	1	---	---	---	---	CAP, VINYL, 3 1/2"
	101651197	---	1	1	---	---	CAP, VINYL, 4 1/2"
	101651198	---	---	---	1	---	CAP, VINYL, 5 9/16"
	101651199	---	---	---	---	1	CAP, VINYL, 6 5/8"
7.6	501-5-18-16	1	1	1	1	1	BOLT, CARRIAGE 5/16-18 UNC X 1
7.7	501-6-16-16	2	2	2	2	2	BOLT, CARRIAGE 3/8-16 UNC X 1
7.8	502-6-16-16	2	2	4	4	4	HEX BOLT, 3/8-16 UNC X 1
7.9	502-6-16-20	3	3	---	---	---	HEX BOLT, 3/8-16 UNC X 1.25
	502-6-16-28	---	---	1	1	1	HEX BOLT, 3/8-16 UNC X 1.75
7.10	541-5-18	1	1	1	1	1	HEX NUT 5/16-18

NOTE: ADD "R" TO EXTENSION ARM PART NUMBER FOR REAR MOUNT GOAL.

Continued Next Page

Installation and Assembly Instructions

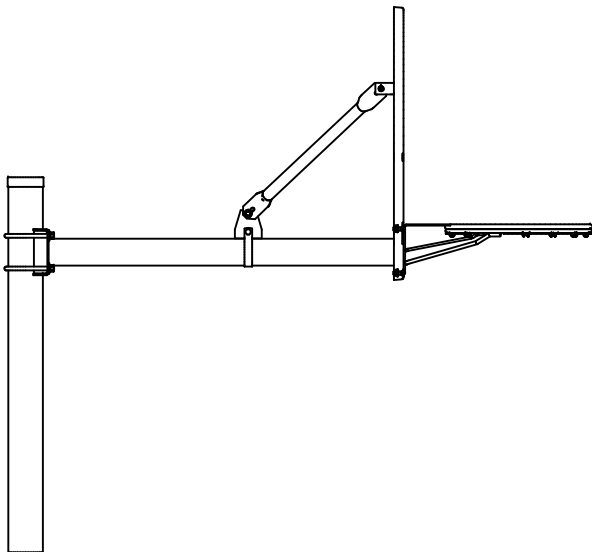


Gared Holdings, LLC  
9200 E. 146th St.  
Noblesville, IN 46060

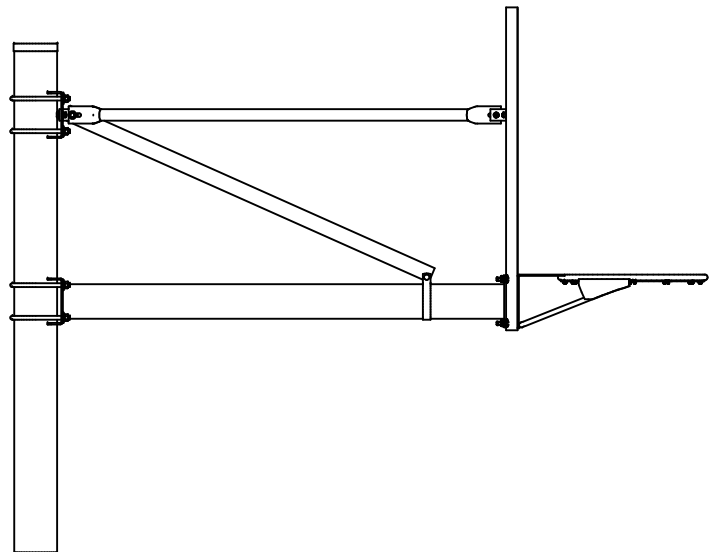
STRAIGHT POST BACKBOARD SYSTEM			
FILE LOC. Q:\Inventor Files\Installation Instructions\Outdoor Products			
DATE	SHT. NO.	PART NO.	REV
9/30/2015	4 OF 13	401755234	B

## PARTS LIST

Item	Part Number	Quantity					Description
		AAB35	AAB45	AABS45-5	AABS60	AABS65	
7.11	541-6-16	5	5	7	7	7	HEX NUT 3/8-16
7.12	541-8-13	4	4	8	8	8	HEX NUT 1/2-13
7.13	561-5	1	1	1	1	1	FLAT WASHER 5/16
7.14	561-6	6	6	8	8	8	FLAT WASHER 3/8
7.15	561-8	4	4	8	8	8	FLAT WASHER 1/2
7.16	562-5	1	1	1	1	1	SPLIT LOCK WASHER 5/16
7.17	562-6	5	5	7	7	7	SPLIT LOCK WASHER 3/8
7.18	562-8	4	4	8	8	8	SPLIT LOCK WASHER 1/2
8	15B603949	See Note 4					KIT, BRACE ATTACH BB48-BB60-BB72
		BB48	BB60	BB72			
8.1	401651363	2	2	2			BRACKET, BOARD BRACE MTG AAB & GN
8.2	502-5-18-24Z	4	---	---			HEX BOLT, 5/16-18 UNC X 1.5
8.3	502-6-16-24	---	2	2			HEX BOLT, 3/8-16 UNC X 1.5
8.4	541-5-18	4	---	---			HEX NUT 5/16-18
8.5	541-6-16	---	2	2			HEX NUT 3/8-16
8.6	561-5	4	---	---			FLAT WASHER 5/16
8.7	561-6	---	2	2			FLAT WASHER 3/8
8.8	562-5	4	---	---			SPLIT LOCK WASHER 5/16
8.9	562-6	---	2	2			SPLIT LOCK WASHER 3/8



AAB BRACE CONFIGURATION



AABS BRACE CONFIGURATION

### Installation and Assembly Instructions



Gared Holdings, LLC  
9200 E. 146th St.  
Noblesville, IN 46060

#### STRAIGHT POST BACKBOARD SYSTEM

FILE LOC. Q:\Inventor Files\Installation Instructions\Outdoor Products

DATE  
9/30/2015

SHT. NO.  
5 OF 13

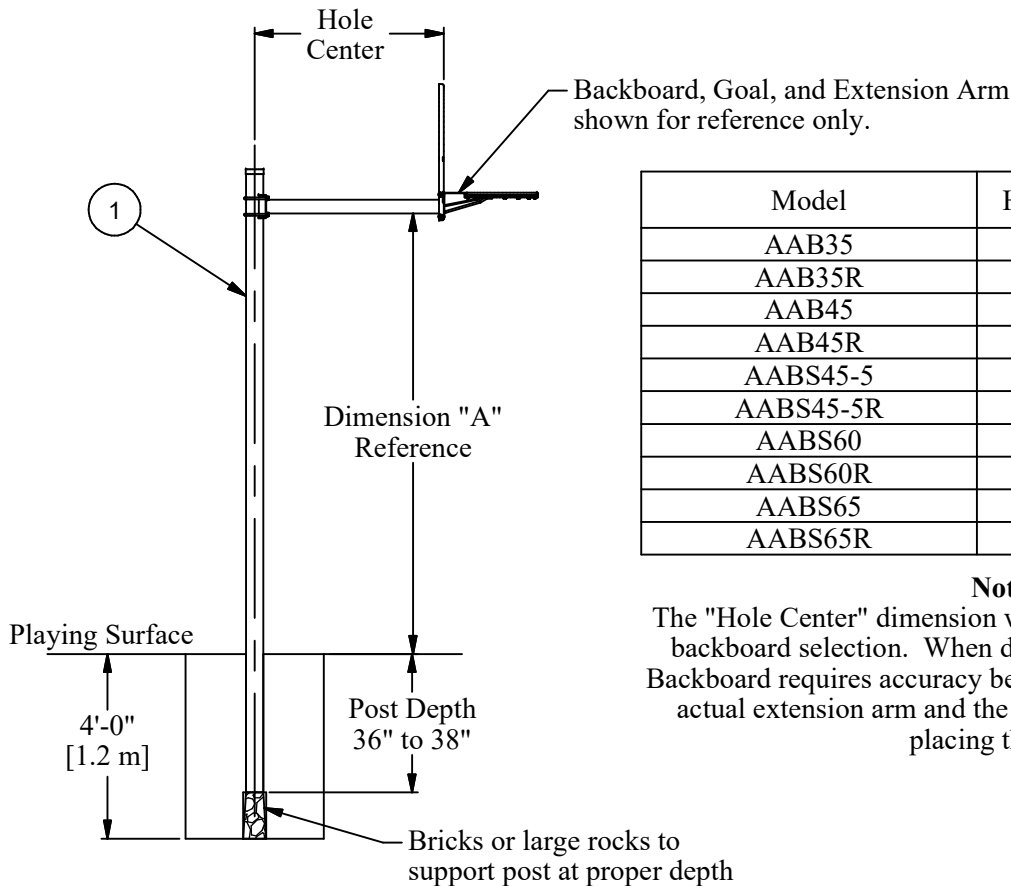
PART NO.  
401755234

REV  
B

**Tools Required:**

- Spade
- Shovel
- Hammer
- 1/2", 9/16", 5/8", and 3/4" Wrenches
- Blocking and nails to support the post during installation of concrete

Mark the center of the hole to be dug. The center of the post is shown in the chart below (Hole Center).



Model	Hole Center	Dimension "A"
AAB35	3'-1"	9'-6 3/4"
AAB35R	3'-2"	9'-9 1/2"
AAB45	4'-1 1/4"	9'-6 1/2"
AAB45R	4'-2 1/2"	9'-9 1/2"
AABS45-5	5'-2 1/4"	9'-6 3/4"
AABS45-5R	5'-2 1/2"	9'-9 1/2"
AABS60	5'-2 3/4"	9'-5 1/4"
AABS60R	5'-3"	9'-9"
AABS65	6'-3 1/4"	9'-6 1/4"
AABS65R	6'-4"	9'-10"

**Note:**

The "Hole Center" dimension will vary +/- 1/2" based on the backboard selection. When distance from post to Face of Backboard requires accuracy better than +/- 1/2", measure the actual extension arm and the backboard thickness before placing the post.

Dig a hole a minimum of 24" in diameter and 48" deep minimum.

Place bricks or large rocks in the center of the hole to support the post at the correct height. Brace and support the post to hold it plumb.

Mix concrete and pour into hole and around the post to fill the hole. Slope concrete away from the post to provide drainage.

Allow concrete to set before attempting to install extension arm, board and goal.

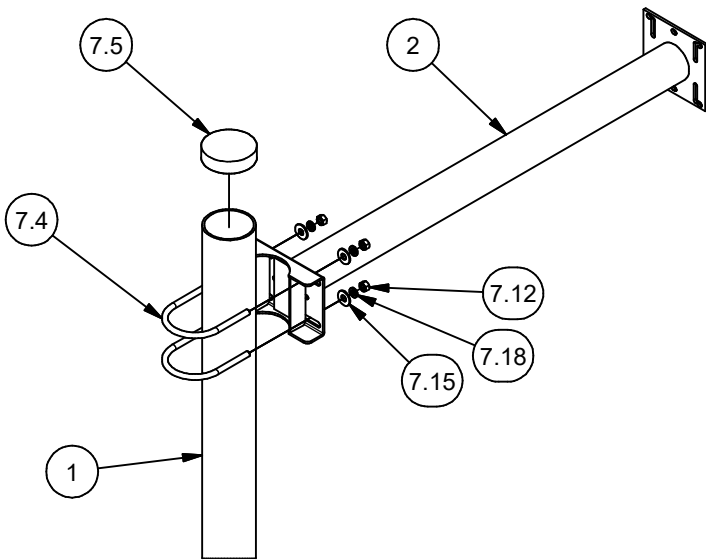
**Installation and Assembly Instructions**



Gared Holdings, LLC  
9200 E. 146th St.  
Noblesville, IN 46060

STRAIGHT POST BACKBOARD SYSTEM			
FILE LOC. Q:\Inventor Files\Installation Instructions\Outdoor Products			
DATE	SHT. NO.	PART NO.	REV
9/30/2015	6 OF 13	401755234	B

### AAB Extension Arm Installation

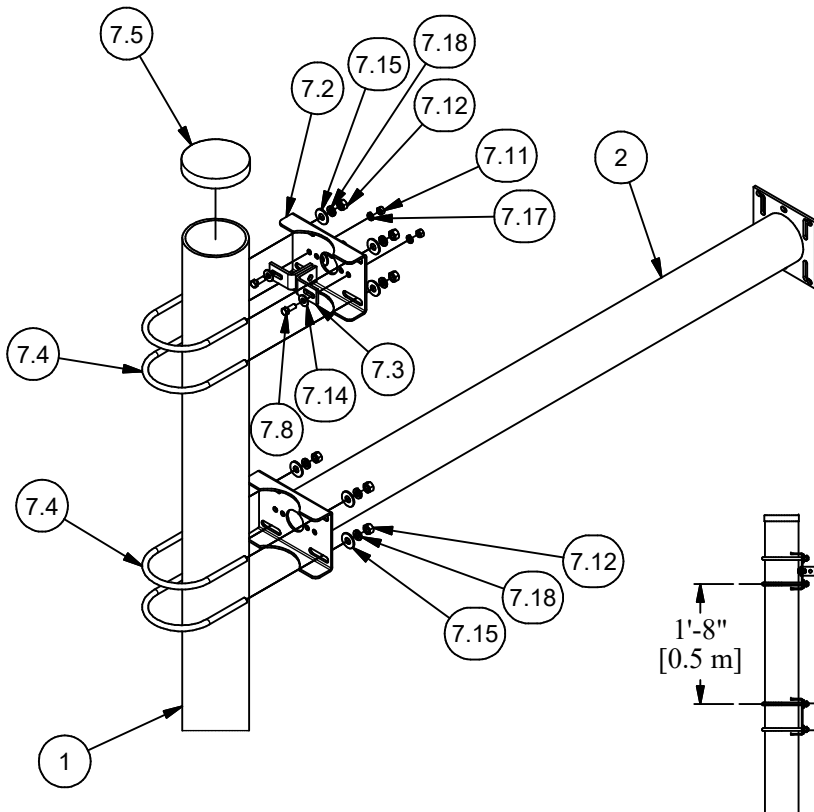


Install the extension arm using the 1/2" U-Bolts washers and nuts. Before tightening the U-Bolt nuts, slide the extension arm up the post to Dimension "A" from page 5. Note: The board and goal can be installed prior to raising the extension arm or they can be installed after raising the extension arm. Installers option.

Once the extension arm is in the correct height position, tighten the U-Bolt nuts securely.

Install the post cap.

### AABS Extension Arm Installation



Install the extension arm using the 1/2" U-Bolts washers and nuts. Before tightening the U-Bolt nuts, slide the extension arm up the post to Dimension "A" from page 5. Note: The board and goal can be installed prior to raising the extension arm or they can be installed after raising the extension arm. Installers option.

Once the extension arm is in the correct height position, tighten the U-Bolt nuts securely.

Install the upper strut and brace connection onto the post at the height above the extension arm as shown.

Install the post cap.

## Installation and Assembly Instructions



Gared Holdings, LLC  
9200 E. 146th St.  
Noblesville, IN 46060

### STRAIGHT POST BACKBOARD SYSTEM

FILE LOC. Q:\Inventor Files\Installation Instructions\Outdoor Products

DATE

9/30/2015

SHT. NO.

7 OF 13

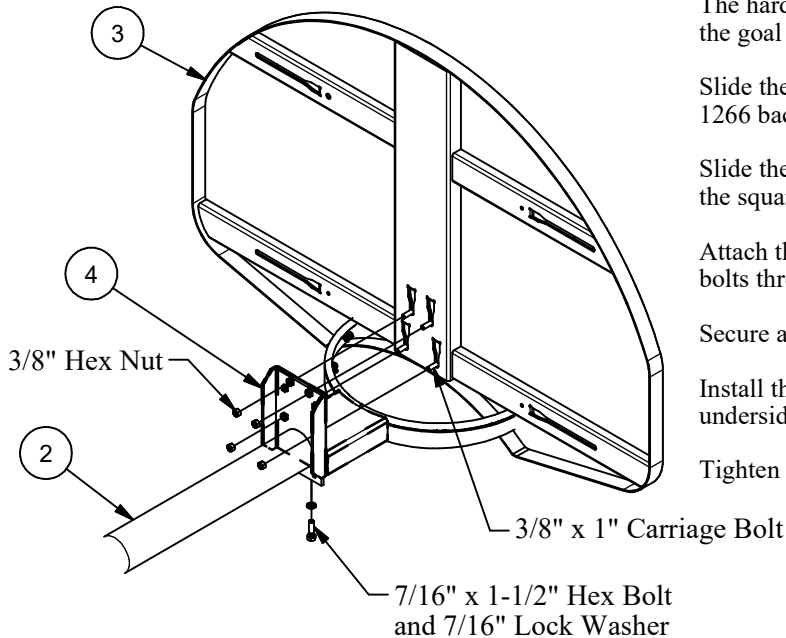
PART NO.

401755234

REV

B

## 1266 or 1266B Backboard & 66T or 266 Goal Installation



The hardware for mounting the backboard and goal is supplied with the goal and is not part of the parts list on page 2.

Slide the head of the 3/8" x 1" carriage bolts into the slots on the 1266 backboard.

Slide the backboard onto the goal with the carriage bolts through the square holes on the goal.

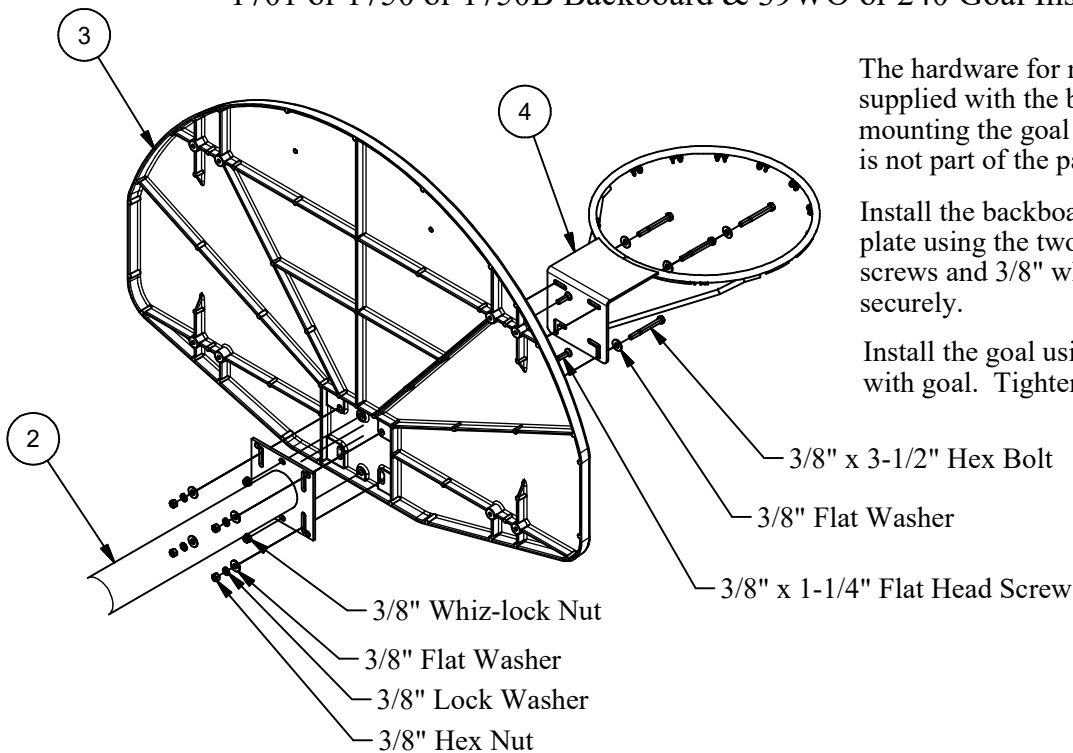
Attach the board and goal to the post by sliding the carriage bolts through the holes on the post mounting plate.

Secure all four bolts with the 3/8" nuts.

Install the 7/16" x 1-1/2" hex bolt and lock washer on the underside of the goal into the backboard.

Tighten all bolts and nuts.

## 1701 or 1750 or 1750B Backboard & 39WO or 240 Goal Installation



The hardware for mounting the backboard is supplied with the backboard and hardware for mounting the goal is supplied with the goal and is not part of the parts list on page 2.

Install the backboard onto the post mounting plate using the two 3/8" x 1-1/4" flat head screws and 3/8" whiz-lock nuts. Tighten securely.

Install the goal using the hardware supplied with goal. Tighten all bolts securely.

## Installation and Assembly Instructions



Gared Holdings, LLC  
9200 E. 146th St.  
Noblesville, IN 46060

### STRAIGHT POST BACKBOARD SYSTEM

FILE LOC. Q:\Inventor Files\Installation Instructions\Outdoor Products

DATE  
9/30/2015

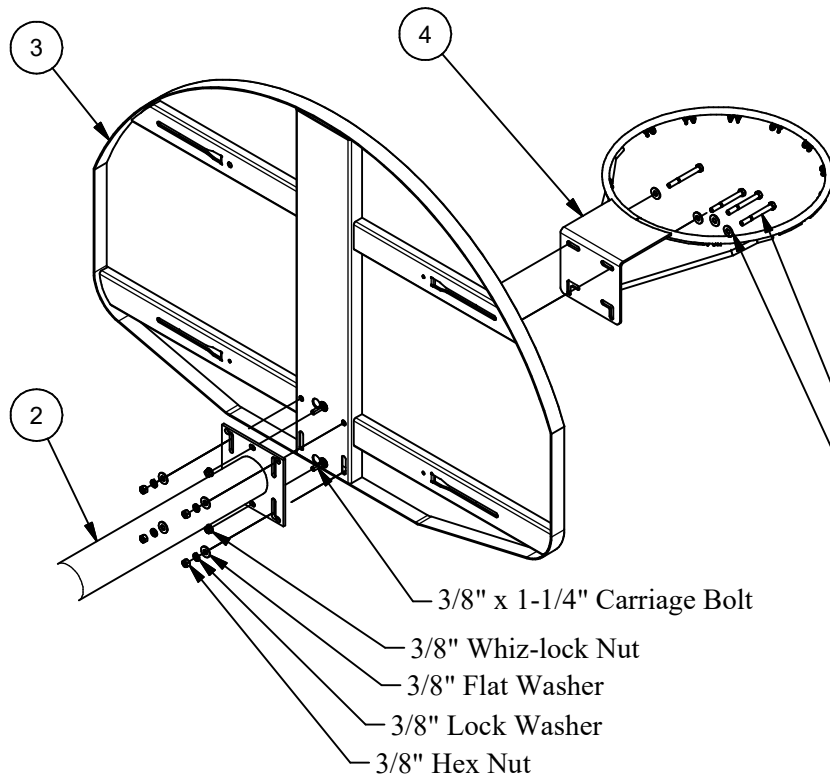
SHT. NO.  
8 OF 13

PART NO.  
401755234

REV  
B



## 1245T & 39WO or 240 Goal Installation



The hardware for mounting the backboard is supplied with the backboard and hardware for mounting the goal is supplied with the goal and is not part of the parts list on page 2.

Install the backboard onto the post mounting plate using the two 3/8" x 1-1/4" carriage bolts and 3/8" whiz-lock nuts. Tighten securely.

Install the goal using the hardware supplied with goal. Tighten all bolts securely.

3/8" x 3-1/2" Hex Bolt

3/8" Flat Washer

3/8" x 1-1/4" Carriage Bolt

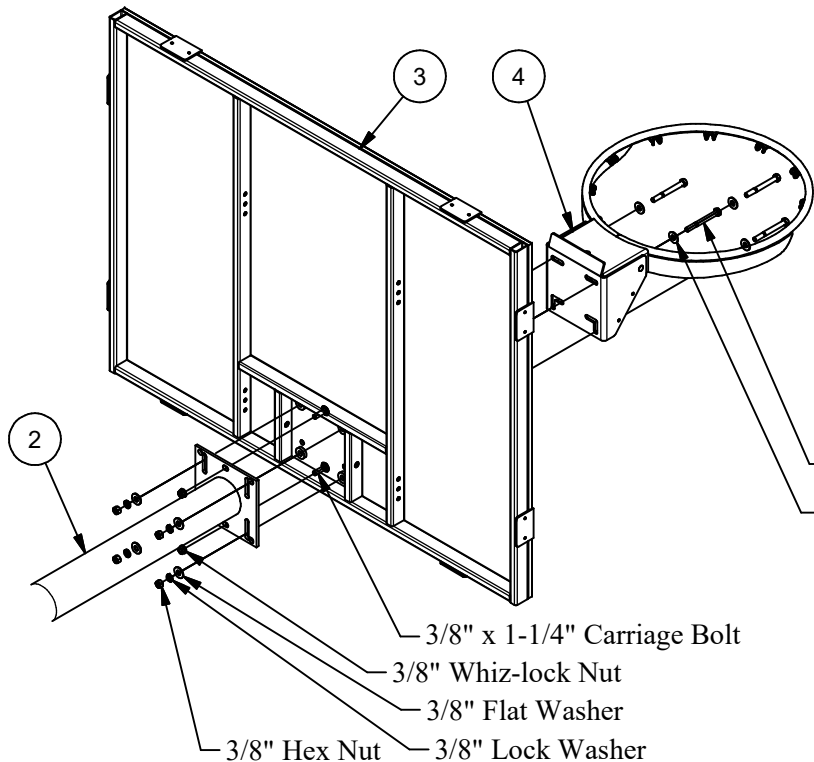
3/8" Whiz-lock Nut

3/8" Flat Washer

3/8" Lock Washer

3/8" Hex Nut

## BB48A38 or BB60A38 GOAL



The hardware for mounting the backboard is supplied with the backboard and hardware for mounting the goal is supplied with the goal and is not part of the parts list on page 2.

Install the backboard onto the post mounting plate using the two 3/8" x 1-1/4" carriage bolts and 3/8" whiz-lock nuts. Tighten securely.

Install the goal using the hardware supplied with goal. Tighten all bolts securely.

3/8" x 3-1/2" Hex Bolt

3/8" Flat Washer

3/8" x 1-1/4" Carriage Bolt

3/8" Whiz-lock Nut

3/8" Flat Washer

3/8" Hex Nut

3/8" Lock Washer

## Installation and Assembly Instructions



Gared Holdings, LLC  
9200 E. 146th St.  
Noblesville, IN 46060

### STRAIGHT POST BACKBOARD SYSTEM

FILE LOC. Q:\Inventor Files\Installation Instructions\Outdoor Products

DATE

9/30/2015

SHT. NO.

9 OF 13

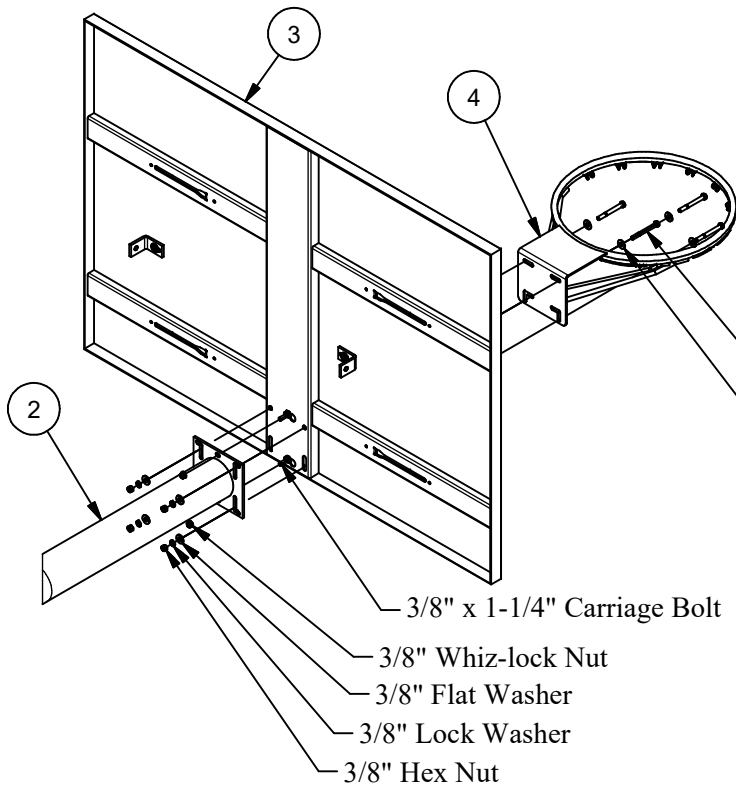
PART NO.

401755234

REV

B

1260 or 1260B or 1272B & 240 OR 7550 GOAL



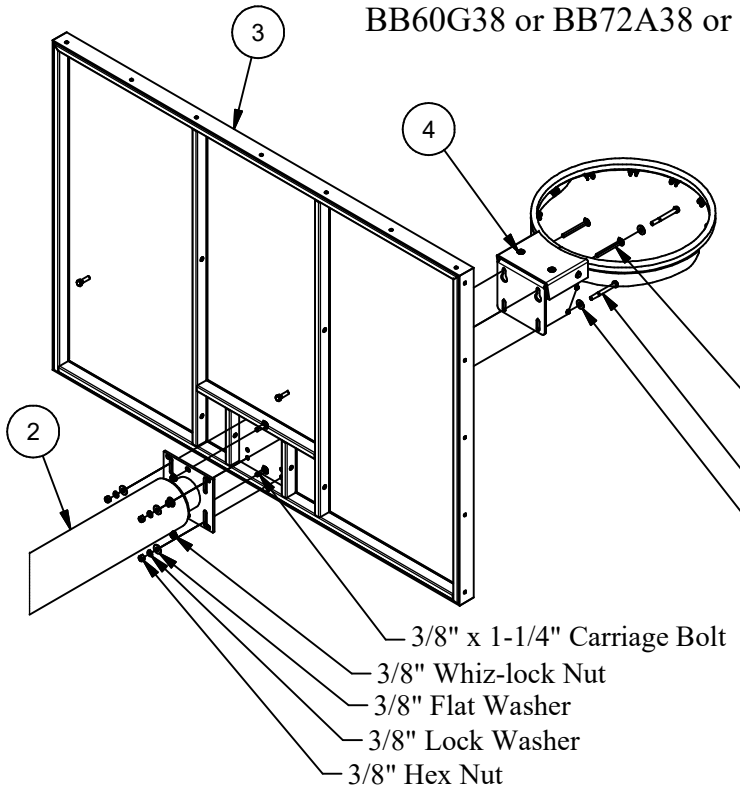
The hardware for mounting the backboard is supplied with the backboard and hardware for mounting the goal is supplied with the goal and is not part of the parts list on page 2.

Install the backboard onto the post mounting plate using the two 3/8" x 1-1/4" carriage bolts and 3/8" whiz-lock nuts. Tighten securely.

Install the goal using the hardware supplied with goal. Tighten all bolts securely.

3/8" x 3-1/2" Hex Bolt  
3/8" Flat Washer

BB60G38 or BB72A38 or BB72G50 & 5500 GOAL



The hardware for mounting the backboard is supplied with the backboard and hardware for mounting the goal is supplied with the goal and is not part of the parts list on page 2.

Install the backboard onto the post mounting plate using the two 3/8" x 1-1/4" carriage bolts and 3/8" whiz-lock nuts. Tighten securely.

Install the goal using the hardware supplied with goal. Tighten all bolts securely.

3/8" x 3-1/2" Carriage Bolt  
3/8" x 3-1/2" Hex Bolt  
3/8" Flat Washer

The top two goal bolts are the carriage bolts and the bottom two bolts are the hex bolts and flat washers

**Installation and Assembly Instructions**

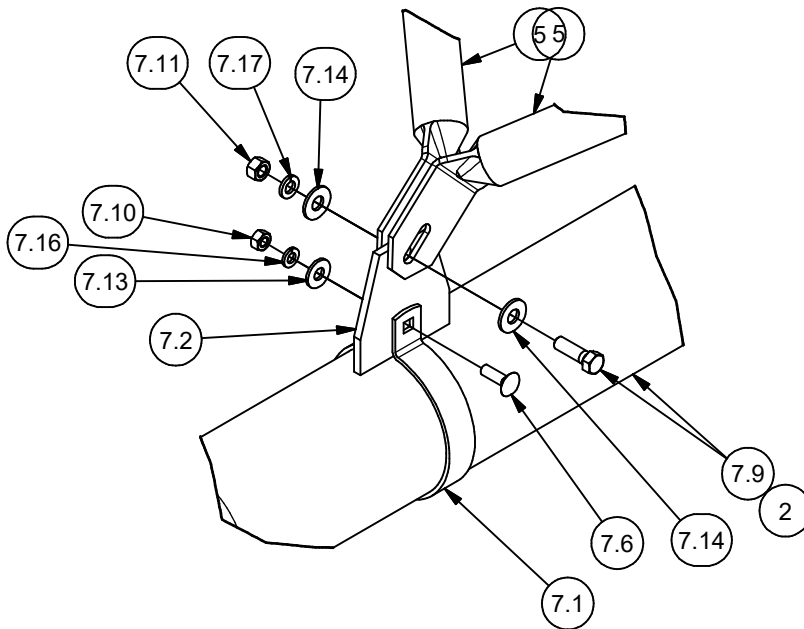


Gared Holdings, LLC  
9200 E. 146th St.  
Noblesville, IN 46060

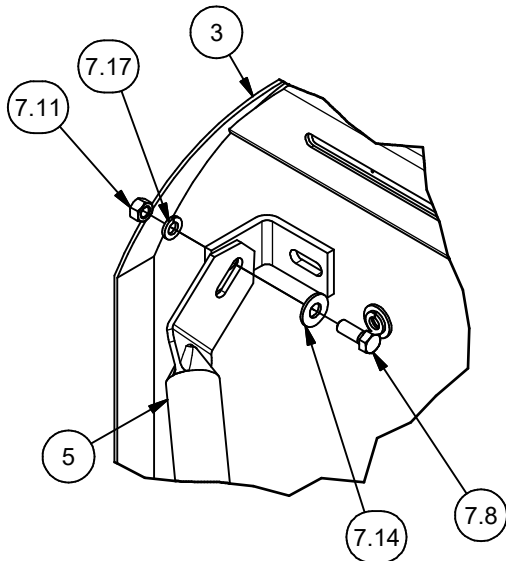
STRAIGHT POST BACKBOARD SYSTEM			
FILE LOC. Q:\Inventor Files\Installation Instructions\Outdoor Products			
DATE	SHT. NO.	PART NO.	REV
9/30/2015	10 OF 13	401755234	B

The following illustrations and instructions apply ONLY to the AAB models. See sheet 10 for the AABS Brace and Strut illustrations.

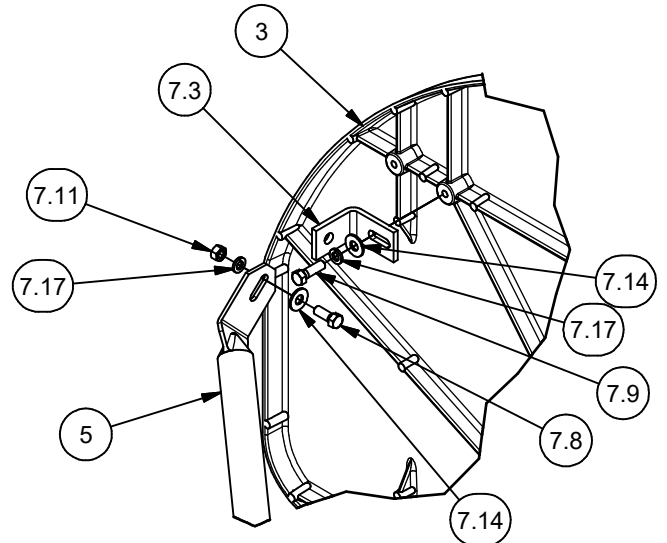
### AAB35 and AAB45 Brace to Arm Attachment



### Fan or Rectangular Steel Backboard Brace to Backboard Attachment



### Fan Aluminum Brace to Backboard Attachment



## Installation and Assembly Instructions



Gared Holdings, LLC  
9200 E. 146th St.  
Noblesville, IN 46060

### STRAIGHT POST BACKBOARD SYSTEM

FILE LOC. Q:\Inventor Files\Installation Instructions\Outdoor Products

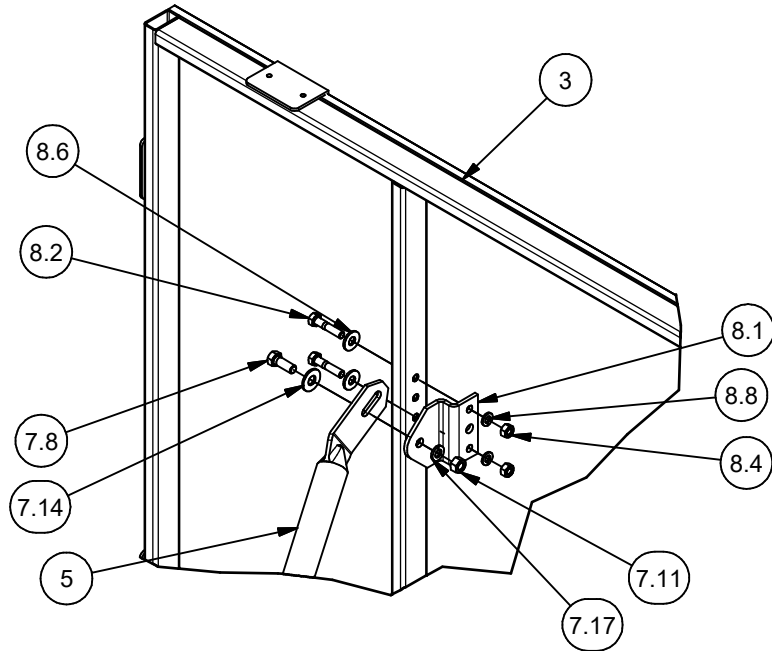
DATE  
9/30/2015

SHT. NO.  
11 OF 13

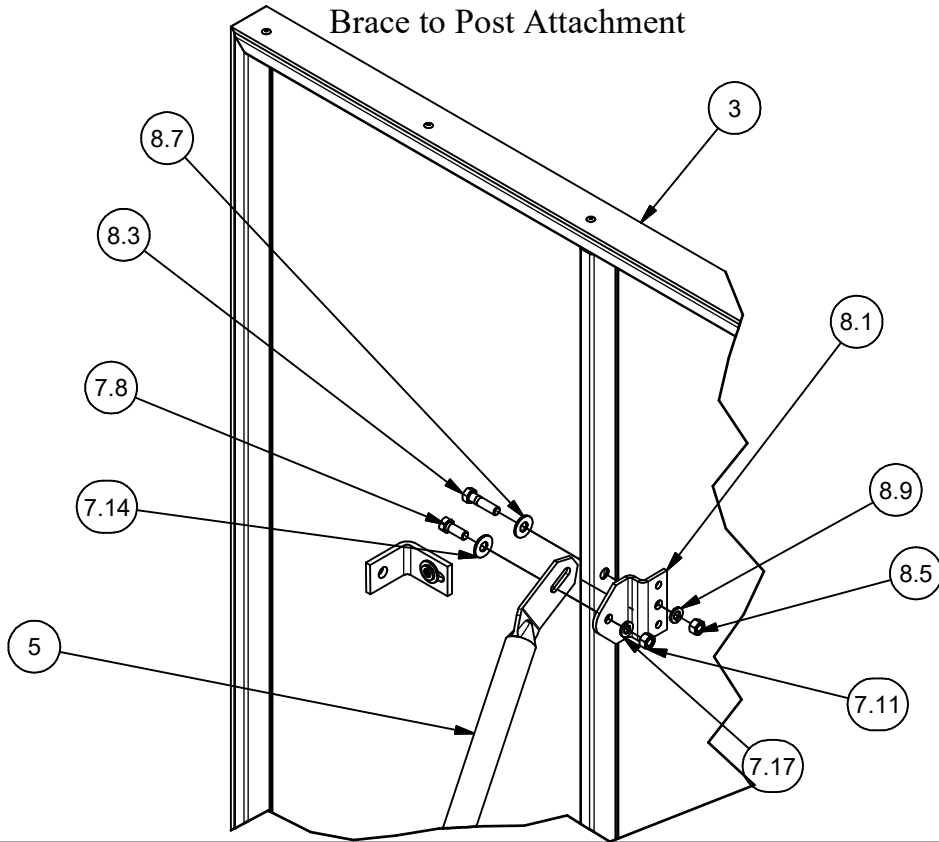
PART NO.  
401755234

REV  
B

BB48A38  
Brace to Post Attachment



BB60A38 or BB60G38 or BB72A38 or BB72G50  
Brace to Post Attachment



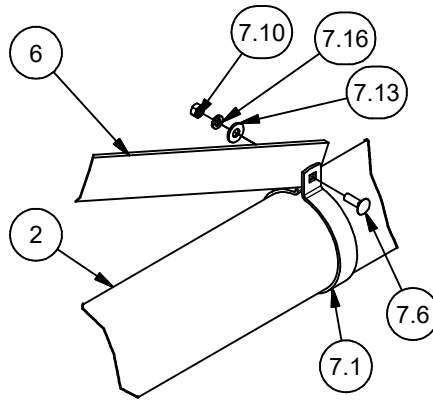
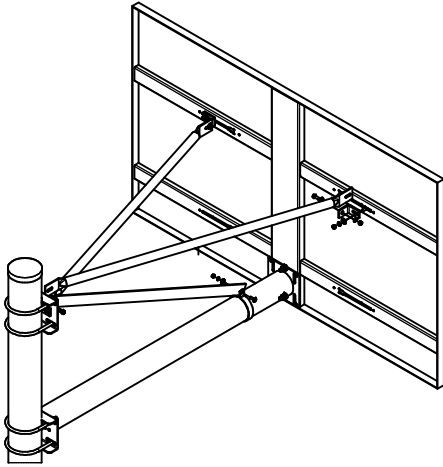
Installation and Assembly Instructions



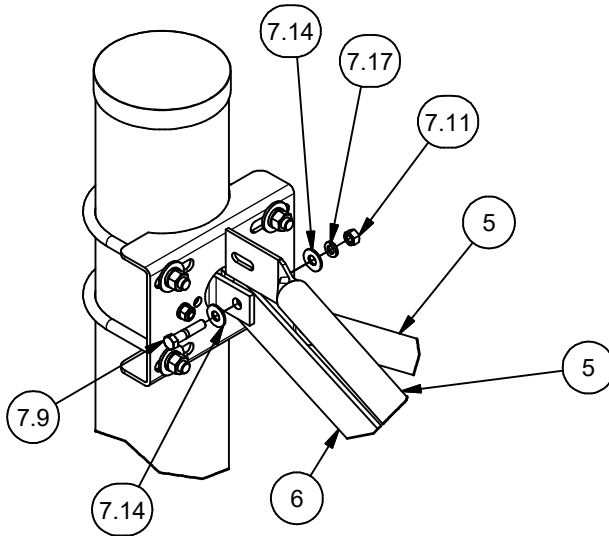
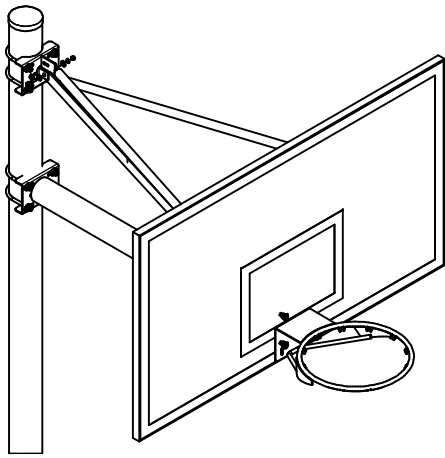
Gared Holdings, LLC  
9200 E. 146th St.  
Noblesville, IN 46060

<b>STRAIGHT POST BACKBOARD SYSTEM</b>			
FILE LOC. Q:\Inventor Files\Installation Instructions\Outdoor Products			
DATE	SHT. NO.	PART NO.	REV
9/30/2015	12 OF 13	401755234	B

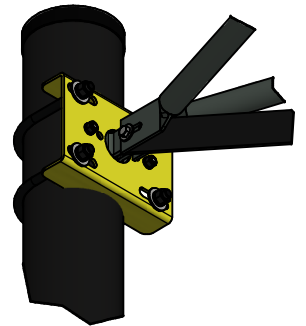
## AABS Strut and Brace Installation



Strut to Arm Connection



Strut and Brace to Post Connection



Brace to backboard connections for AABS models is the same as for AAB models shown on pages 10 and 11.

## Installation and Assembly Instructions



Gared Holdings, LLC  
9200 E. 146th St.  
Noblesville, IN 46060

<b>STRAIGHT POST BACKBOARD SYSTEM</b>			
FILE LOC. Q:\Inventor Files\Installation Instructions\Outdoor Products			
DATE	SHT. NO.	PART NO.	REV
9/30/2015	13 OF 13	401755234	B