



TSC1500XL WiFi Wireless Gym Control System

RECOMMENDED APPLICATION

The TSC1500XL WiFi Total System Control unit allows one touch operation of basketball backstops, divider curtains, lighting, scoreboards, P.A. systems or other electrically controlled equipment. The system is wirelessly controlled using a smart phone or a tablet device that will connect to a standalone WiFi network. **SMART PHONE, TABLET AND PURCHASE OF THE VIJEJO DESIGN' AIR APP NOT INCLUDED**

SPECIFICATIONS

The Total System Control 1500XL WiFi will include a single master relay node capable of operating 12 devices. The system is expandable up to 16 relay nodes until 192 devices are reached. Relay circuits are capable of up to 250v with a 20amp load. There are 24 relays per relay node. Size of each relay node enclosure is 18" wide X 24" tall X 6" deep.

The Total System Control 1500XL WiFi uses a 5.7" touch screen that will have the ability to be wirelessly controlled via smart phone or tablet (Not included) through the Vijejo Design' Air app. The system operates on 120v with the controller interface operating on 24vdc from the supplied transformer. The TSC1500XL WiFi will operate devices individually along with a user interface for multiple device configurations and operations as long as each device is on a dedicated circuit. The TSC1500XL WiFi has expandability for operating additional equipment by adding additional relay nodes.

Included

1. Manual Control override with 15' cord, which is to be used at the master relay node as a back-up to the touch screen.
2. Master relay node with touch screen mounted on the outside.

Optional at additional cost

1. TSC1500XL-RB: Additional relay nodes for operating additional devices.
2. TSC-DG: Display guard to protect the touch screen.
3. TSC-RS: Remote screen location package, Allows the screen to be installed in another location from the master relay node face.
4. TSC-7.5: Screen size upgrade to 7.5"
5. TSC-ROUTER: Additional router for large areas. Each router services a 450ft diameter.
6. Facility's logo displayed on the touch screen.
7. Vijejo Design Air App. (purchased by others)

SAFETY FEATURES

Password controlled to prevent unauthorized use. Infinite users can be created and complex Alpha Numeric passwords as well. "Press and hold" button feature prevents authorized operator from walking away while equipment is in motion. Auto shut-off after thirty seconds of non-use.

WARRANTY

The TSC1500XL WiFi Total Control System has a one-year warranty covering defects in material and workmanship.

All other electrical, junction and synchronizer boxes not mentioned above to be furnished and installed by a certified electrical contractor. Follow manufacturer's instructions and all local safety codes.

Subject to design change and current manufacturing practices.
Revised September 26, 2019 ©2008 Gared Holdings, LLC.

MOTOR ELECTRICAL REQUIREMENTS

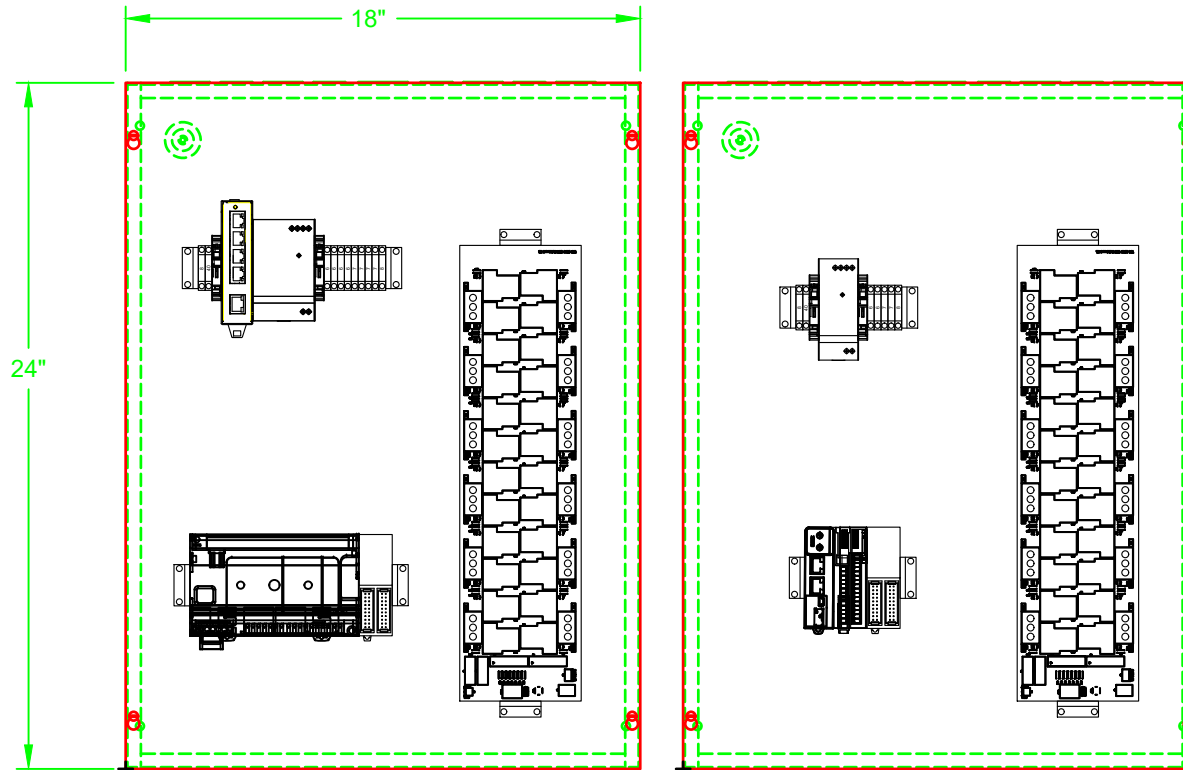
MINIMUM CIRCUIT REQUIREMENTS
 -DEDICATED 120VAC, 1PH, 60HZ,
 20 AMP SERVICE, PER BOX AND PER DEVICE

ALL TERMINALS ACCEPT ONLY 10GA MAX

IMPORTANT: THE VOLTAGE PROVIDED MUST BE STABLE. IF UNSTABLE CAN CAUSE PROBLEMS WITH SYSTEM.

NOTE: AUTHORIZED USER MUST HAVE FULL VIEW OF GYMNASIUM EQUIPMENT AT ALL TIMES WHEN OPERATING.

ALL OTHER ELECTRICAL, JUNCTIONS AND SYNCHRONIZER BOXES ARE TO BE INSTALLED BY A CERTIFIED ELECTRICAL CONTRACTOR. FOLLOW ALL LOCAL CODES AND MANUFACTURER'S INSTRUCTIONS.



MASTER
NODE1

NODE 2

**NOTE:
 WIRE MOTOR ON
 TERMINALS PER DEVICE
 ASSIGNMENT SHEET**

NOTE: THIS DRAWING IS FOR REFERENCE ONLY. REFER TO THE TSC INSTALLATION WIRING INSTRUCTIONS INCLUDED IN THE SUBMITTAL PACKAGE FOR SPECIFIC WIRE TERMINATION INFORMATION.

| REVISION | |
|----------|-----------|
| REV. | DATE |
| A | 4-30-2021 |
| | BY |
| | MEV |



Gared Holdings, LLC
 9200 E. 146th St. Noblesville, IN 46060

| | | | |
|---|---------------------------------|----------|-----------------|
| THIS DOCUMENT CONTAINS TRADE SECRET AND OTHER MATERIALS WHICH ARE PROTECTED BY CONFIDENTIALITY NOTICE AND AGREEMENT AND BY COPYRIGHT. ANY USE OR COPYING OF THIS DOCUMENT EXCEPT AS AUTHORIZED BY GARED HOLDINGS, LLC IS STRICTLY PROHIBITED. | | | |
| TSC 1500XL WiFi | | | |
| DRAWN | PERRY | DATE | 8-29-17 |
| APPROVED | - | DATE | - |
| FILE LOC. | Q:\Final Release\Specifications | | MATERIAL |
| SIZE | SCALE | SHT. NO. | PART NO. |
| A | NOTED | 1 OF 3 | TSC 1500XL WiFi |
| | | | DWG. NO. |
| | | | TSC 1500XL WiFi |
| | | | REV |

| | | |
|------------------|----------------------|--------|
| Group | <input type="text"/> | ▼ |
| User | <input type="text"/> | ▼ |
| Password | <input type="text"/> | |
| Confirm Password | <input type="text"/> | |
| ADD | UPDATE | DELETE |
| | | |
| EXIT | | |
| | | |



OPERATION SELECTION PAGE

- ALPHA NUMERIC PASSWORD SYSTEM
- INFINITE PROGRAMMABLE USERS WITH DIFFERENT USER LEVELS



LARGE LAYOUT EXAMPLE

FAST PLAY SYSTEM: 8 USER LEVEL PROGRAMMABLE GROUP BUTTONS. ALLOWS SELECTION OF MULTIPLE DEVICES AT A TIME (WITH THE RECOMMENDED POWER FEED). CAPABLE OF MOVING DEVICES DIFFERENT DIRECTIONS SIMULTANEOUSLY. FAST PLAY GROUPS CAN BE EDITED AT ANY POINT. FAST PLAY CAN ALSO SELECT DIFFERENT GROUP COMBINATIONS OF EQUIPMENT.

NOTE: SYSTEM OPERATES THROUGH AN APP. NO NETWORK OR SEPARATE SERVERS REQUIRED; INDEPENDENT WIRELESS SYSTEM.

| REVISION | | | |
|----------|-----------|-----|--|
| REV. | DATE | BY | |
| A | 4-30-2021 | MEV | |
| | | | |
| | | | |
| | | | |
| | | | |

Gared Holdings, LLC
 9200 E. 146th St. Noblesville, IN 46060

| | | | | | | | | | | | |
|---|-------|----------|----------|----------|-----------------|-----|--|----------|--|--|--|
| DRAWN | | | | DATE | | | | MATERIAL | | | |
| PERRY | | | | 8-29-17 | | | | N/A | | | |
| APPROVED | | | | DATE | | | | FINISH | | | |
| - | | | | - | | | | N/A | | | |
| FILE LOC. Q:\Final Release Specifications TSC 1500XL WiFi COMM. SCH | | | | | | | | | | | |
| THIS DOCUMENT CONTAINS TRADE SECRET AND OTHER MATERIALS WHICH ARE PROTECTED BY CONFIDENTIALITY NOTICE AND AGREEMENT AND BY COPYRIGHT. ANY USE OR COPYING OF THIS DOCUMENT EXCEPT AS AUTHORIZED BY GARED HOLDINGS, LLC IS STRICTLY PROHIBITED. | | | | | | | | | | | |
| SIZE | SCALE | SHT. NO. | PART NO. | DWG. NO. | TSC 1500XL WiFi | REV | | | | | |
| A | NOTED | 2 OF 3 | | | TSC 1500XL WiFi | | | | | | |

| REVISION | |
|----------|-----------|
| REV. | DATE |
| A | 4-30-2021 |
| | BY |
| | MEV |

9200 E. 146th St. Noblesville, IN 46060

Gared Holdings, LLC

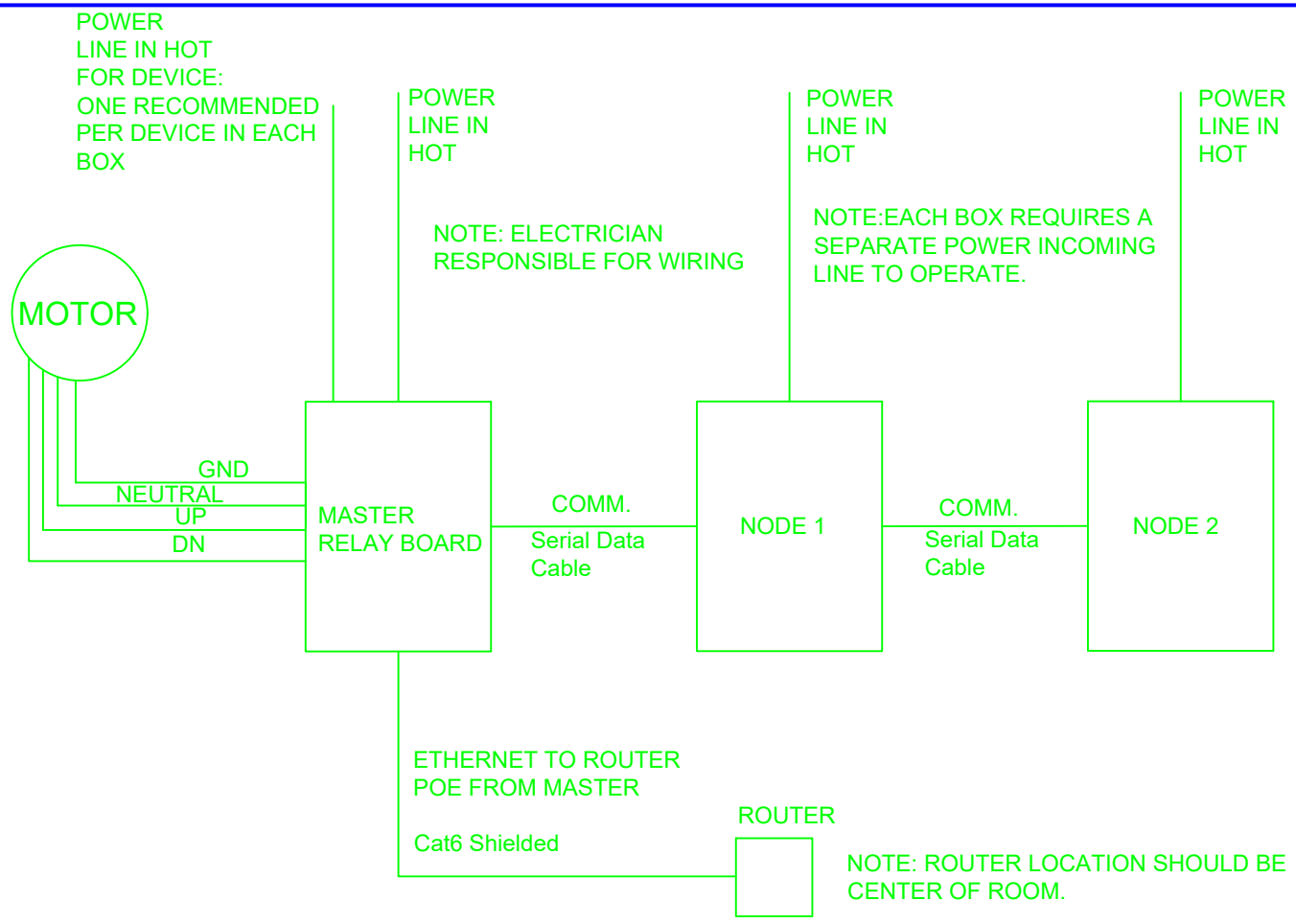


| | | | | | | | |
|-------------|---------------------------------|----------|----------|--------------|-----------------|--------------|--|
| DRAWN PERRY | | | | DATE 8-29-17 | | MATERIAL N/A | |
| APPROVED - | | | | DATE - | | FINISH N/A | |
| FILE LOC. | Q:\Final Release Specifications | | | DWG. NO. | TSC 1500XL WiFi | | |
| SIZE | SCALE | SHT. NO. | PART NO. | REV | | | |
| A | NOTED | 3 OF 3 | | | | | |

TSC 1500XL WiFi SYSTEM SCH

TSC 1500XL WiFi

THIS DOCUMENT CONTAINS TRADE SECRET AND OTHER MATERIALS WHICH ARE PROTECTED BY CONFIDENTIALITY NOTICE AND AGREEMENT AND BY COPYRIGHT. ANY USE OR COPYING OF THIS DOCUMENT EXCEPT AS AUTHORIZED BY GARED HOLDINGS, LLC IS STRICTLY PROHIBITED.



COMMUNICATION WIRE BETWEEN NODES:
 Serial Data Cable equivalent to CAROL CO842A or BELDEN 9842. (120-ohm impedance)
 -CONNECTORS INCLUDED

COMMUNICATION WIRE TO TOUCH SCREEN:
 BELDEN 1351A Cat6 Shielded
 BELDEN 1352A Cat6 Shielded (Plenum Rated)
 -CONNECTORS NOT INCLUDED
 (2) RJ-45 for Cat6

ALL WIRE AND CONNECTORS PROVIDED BY ELECTRICIAN

MOTOR ELECTRICAL REQUIREMENTS

MINIMUM CIRCUIT REQUIREMENTS
 -DEDICATED 120VAC, 1PH, 60HZ,
 20 AMP SERVICE, PER BOX AND PER DEVICE

ALL TERMINALS ACCEPT ONLY 10GA MAX

IMPORTANT: THE VOLTAGE PROVIDED MUST BE STABLE. IF UNSTABLE CAN CAUSE PROBLEMS WITH SYSTEM.