



## **TSC1500XL GYM CONTROL SYSTEM**

### **RECOMMENDED APPLICATION**

The TSC1500XL Total System Control unit allows one touch operation of basketball backstops, divider curtains, lighting, scoreboards, P.A. systems or other electrically controlled equipment.

### **SPECIFICATIONS**

The Total System Control 1500XL will include a single master node which will operate 12 devices with the capability to run those 12 devices at one time, as long as each device is on its own dedicated 20amp circuit. The TSC1500XL is expandable up to 16 relay nodes until 192 devices are reached. Relay circuits are capable of up to 250v with a 20amp load. There are 24 relays per relay node. Size of each relay node enclosure is 18" wide X 24" tall X 6" deep.

The Total System Control 1500XL uses a 5.7" touch screen in an 8" wide by 8" tall by 4" deep enclosure. The TSC1500XL operates on 120v with the controller interface operating on 24vdc with supplied transformer. Gym equipment can be operated individually along with a user interface for multiple equipment configurations and operations. The TSC 1500XL has the expandability for operating additional equipment by adding relay nodes. Multiple devices can be operated simultaneously as long as each device is on its own dedicated 20amp circuit.

### **Included**

1. Manual Control override with 15' cord, which is to be used at the relay panel as a back-up to the touch screen.
2. TSC-RS: Remote screen location package.
3. One relay box capable of operating 12 devices.

### **Optional at additional cost**

1. Additional Relay nodes for operating additional devices.
2. TSC-DG: Display guard to protect the touchscreen.
3. TSC-7.5: Screen size upgrade to 7.5"
4. Facility's logo displayed on the touch screen.

### **SAFETY FEATURES**

Password controlled to prevent unauthorized use. Infinite users can be created and complex Alpha Numeric passwords as well. "Press and hold" button feature prevents authorized operator from walking away while equipment is in motion. Auto shut-off after thirty seconds of non-use.

### **WARRANTY**

The TSC1500XL has a one-year warranty covering defects in material and workmanship.

All other electrical, junction and synchronizer boxes not mentioned above to be furnished and installed by a certified electrical contractor. Follow manufacturer's instructions and all local safety codes.

Subject to design change and current manufacturing practices.  
Revised September 25, 2019 ©2008 Gared Holdings, LLC.

MOTOR ELECTRICAL REQUIREMENTS

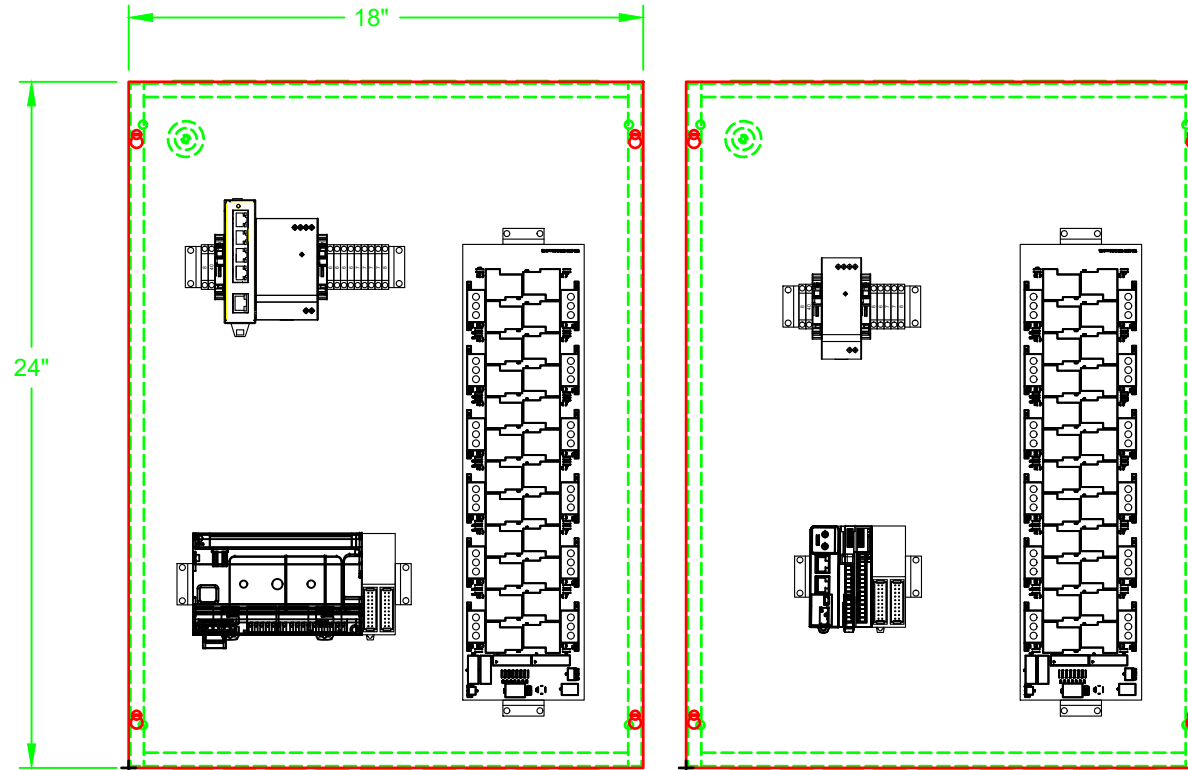
MINIMUM CIRCUIT REQUIREMENTS  
 -DEDICATED 120VAC, 1PH, 60HZ,  
 20 AMP SERVICE, PER BOX AND PER DEVICE

ALL TERMINALS ACCEPT ONLY 10GA MAX

NOTE: AUTHORIZED USER MUST  
 HAVE FULL VIEW OF GYMNASIUM  
 EQUIPMENT AT ALL TIMES WHEN  
 OPERATING.

ALL OTHER ELECTRICAL, JUNCTIONS  
 AND SYNCHRONIZER BOXES ARE TO  
 BE INSTALLED BY A CERTIFIED  
 ELECTRICAL CONTRACTOR. FOLLOW  
 ALL LOCAL CODES AND  
 MANUFACTURER'S INSTRUCTIONS.

IMPORTANT: THE VOLTAGE PROVIDED  
 MUST BE STABLE. IF UNSTABLE CAN  
 CAUSE PROBLEMS WITH SYSTEM.



MASTER/  
 NODE1

NODE 2

NOTE:  
 WIRE MOTOR ON  
 TERMINALS PER DEVICE  
 ASSIGNMENT SHEET

NOTE: THIS DRAWING IS FOR REFERENCE ONLY. REFER TO THE TSC INSTALLATION WIRING INSTRUCTIONS INCLUDED IN THE SUBMITTAL PACKAGE FOR SPECIFIC WIRE TERMINATION INFORMATION.

REVISION

REV.	DATE	BY
A	4-30-2021	MEV



Gared Holdings, LLC

9200 E. 146th St. Noblesville, IN 46060

THIS DOCUMENT CONTAINS TRADE SECRET AND OTHER MATERIALS WHICH ARE PROTECTED BY CONFIDENTIALITY NOTICE AND AGREEMENT AND BY COPYRIGHT. ANY USE OR COPYING OF THIS DOCUMENT EXCEPT AS AUTHORIZED BY GARED HOLDINGS, LLC IS STRICTLY PROHIBITED.

TSC 1500XL

DRAWN PERRY DATE 8-29-17 MATERIAL N/A  
 APPROVED - DATE - FINISH N/A

FILE LOC. Q:\Final Release\Specifications DWG. NO. TSC1500XL

SIZE SCALE SHT. NO. PART NO. REV  
 A NOTED 1 OF 3 TSC1500XL

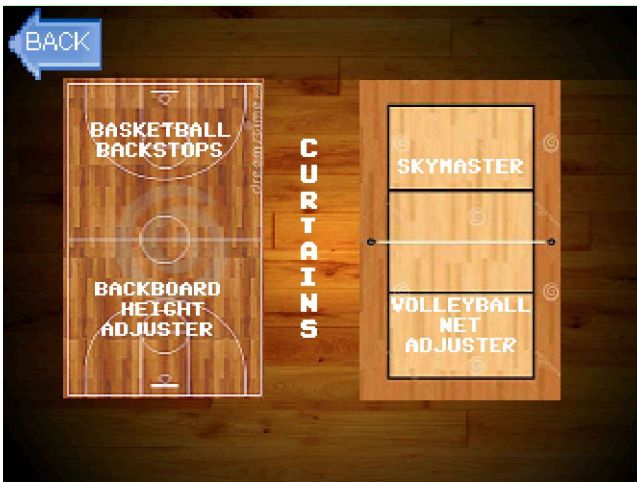
Group

User

Password

Confirm Password

ADD UPDATE DELETE EXIT



OPERATION SELECTION PAGE

- ALPHA NUMERIC PASSWORD SYSTEM
- INFINITE PROGRAMMABLE USERS WITH DIFFERENT USER LEVELS



LARGE LAYOUT EXAMPLE

FAST PLAY SYSTEM: 8 USER LEVEL PROGRAMMABLE GROUP BUTTONS. ALLOWS SELECTION OF MULTIPLE DEVICES AT A TIME (WITH THE RECOMMENDED POWER FEED). CAPABLE OF MOVING DEVICES DIFFERENT DIRECTIONS SIMULTANEOUSLY. FAST PLAY GROUPS CAN BE EDITED AT ANY POINT. FAST PLAY CAN ALSO SELECT DIFFERENT GROUP COMBINATIONS OF EQUIPMENT.

REVISION			
REV.	DATE	BY	
A	4-30-2021	MEV	

9200 E. 146th St. Noblesville, IN 46060

Gared Holdings, LLC

THIS DOCUMENT CONTAINS TRADE SECRET AND OTHER MATERIALS WHICH ARE PROTECTED BY CONFIDENTIALITY NOTICE AND AGREEMENT AND BY COPYRIGHT. ANY USE OR COPYING OF THIS DOCUMENT EXCEPT AS AUTHORIZED BY GARED HOLDINGS, LLC IS STRICTLY PROHIBITED.

TSC 1500XL COMM. SCH

DRAWN	PERRY	DATE	8-29-17	MATERIAL	N/A
APPROVED	-	DATE	-	FINISH	N/A
FILE LOC.	Q:\Final Release\Specifications				
SIZE	SCALE	SHT. NO.	PART NO.	DWG. NO.	TSC1500XL
A	NOTED	2 OF 3			
					REV

TSC1500XL

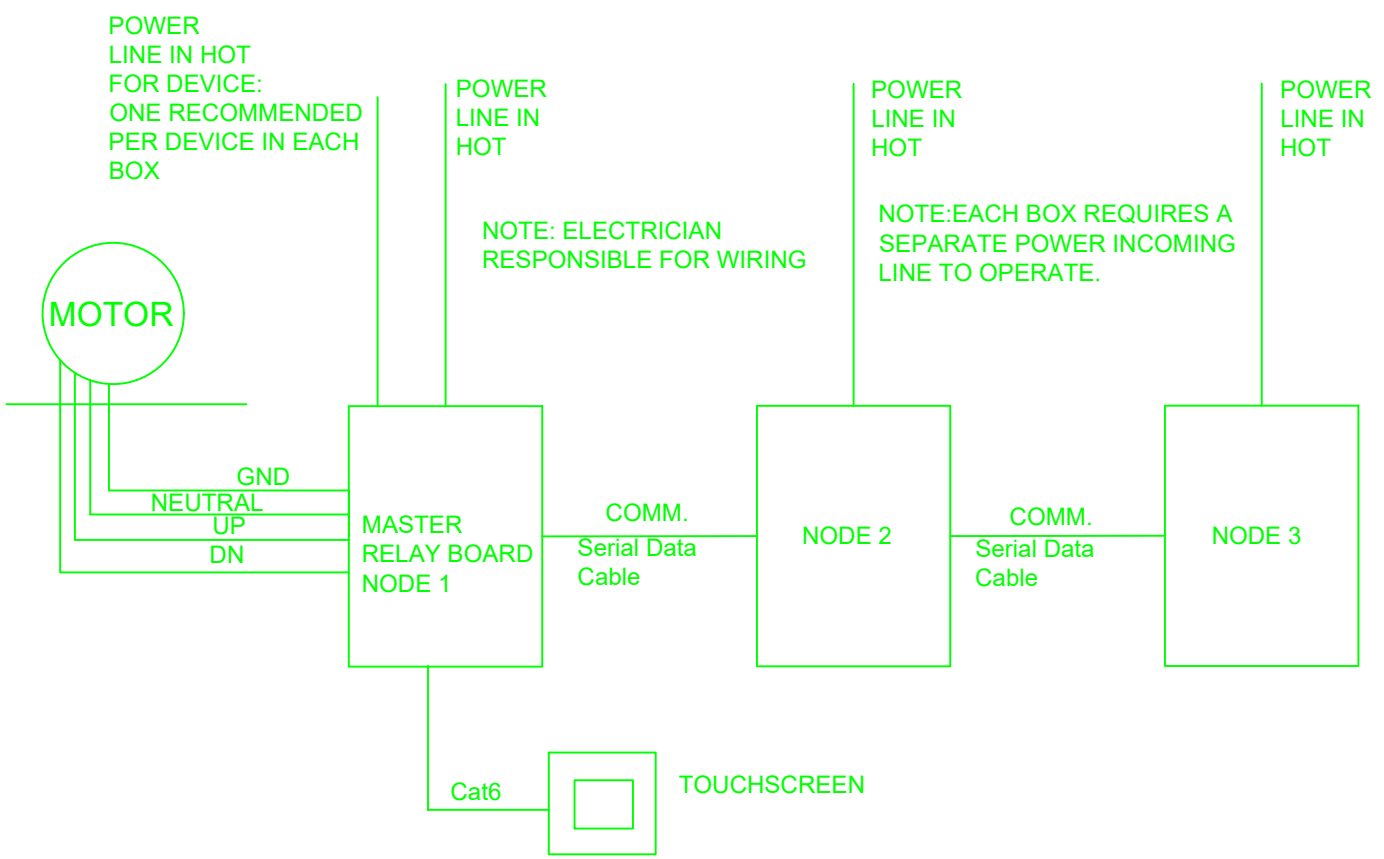
REV.	DATE	BY	REVISION
A	4-30-2021	MEV	

9200 E. 146th St. Noblesville, IN 46060

Gared Holdings, LLC



THIS DOCUMENT CONTAINS TRADE SECRET AND OTHER MATERIALS WHICH ARE PROTECTED BY CONFIDENTIALITY NOTICE AND AGREEMENT AND BY COPYRIGHT. ANY USE OR COPYING OF THIS DOCUMENT EXCEPT AS AUTHORIZED BY GARED HOLDINGS, LLC IS STRICTLY PROHIBITED.			
<b>TSC 1500XL SYSTEM SCH</b>			
DRAWN	PERRY	DATE	8-29-17
APPROVED	-	DATE	-
FILE LOC.	Q:\Final Release\Specifications		
SIZE	SCALE	SHT. NO.	PART NO.
A	NOTED	3 OF 3	
			DWG. NO. TSC1500XL
			REV
			<b>TSC1500XL</b>



**COMMUNICATIONS WIRE BETWEEN NODES:**

Serial Data Cable equivalent to CAROL CO842A or BELDEN 9842. (120-ohm impedance)  
 -CONNECTORS INCLUDED

**COMMUNICATION WIRE TO TOUCH SCREEN:**

BELDEN 1351A Cat6 Shielded  
 BELDEN 1352A Cat6 Shielded (Plenum Rated)  
 -CONNECTORS NOT INCLUDED  
 (2) RJ-45 for Cat6

**ALL WIRE AND CONNECTORS PROVIDED BY ELECTRICIAN**

**IMPORTANT: THE VOLTAGE PROVIDED MUST BE STABLE. IF UNSTABLE CAN CAUSE PROBLEMS WITH SYSTEM.**

**MOTOR ELECTRICAL REQUIREMENTS**

**MINIMUM CIRCUIT REQUIREMENTS**  
 -DEDICATED 120VAC, 1PH, 60HZ,  
 20 AMP SERVICE, PER BOX AND PER DEVICE

**ALL TERMINALS ACCEPT ONLY 10GA MAX**