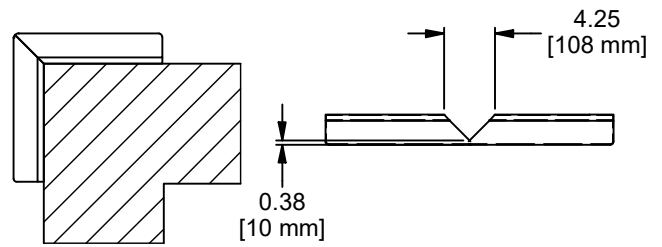
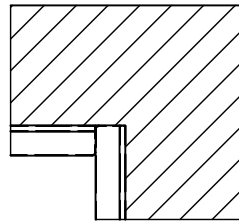


FURRING STRIPS
HIGHLY RECOMMENDED



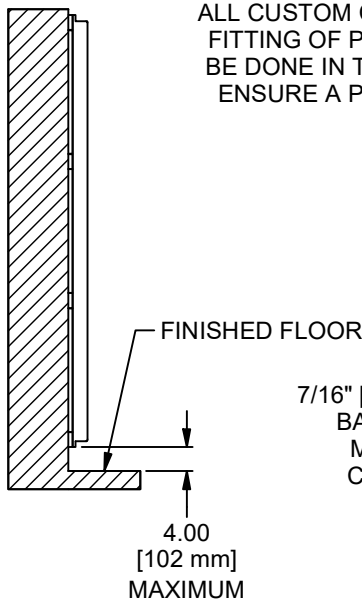
OUTSIDE CORNER DETAIL



INSIDE CORNER
LAP DETAIL

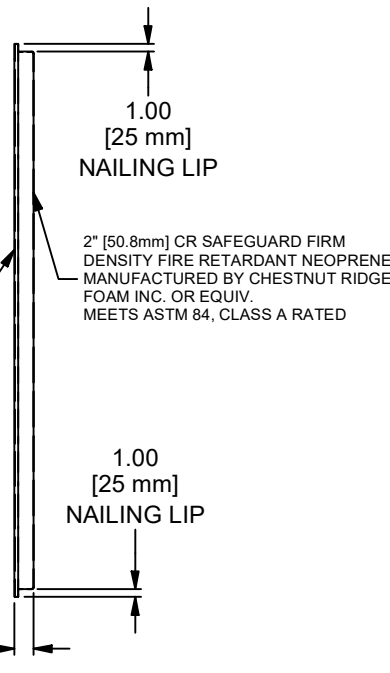
Part number	"A" Dim	"B" Dim
4131-STD	5'-10" [1778mm]	6'-0" [1829 mm]
4131-NSD	6'-10" [2082 mm]	7'-0" [2134mm]
4131-NSD	7'-10" [2388 mm]	8'-0" [2438 mm]

NOTE:
ALL CUSTOM CUTTING AND
FITTING OF PANELS IS TO
BE DONE IN THE FIELD TO
ENSURE A PRECISE FIT.



7/16" [11.11 mm] OSB
BACKING BOARD
MEET ASTM 84,
CLASS A RATED

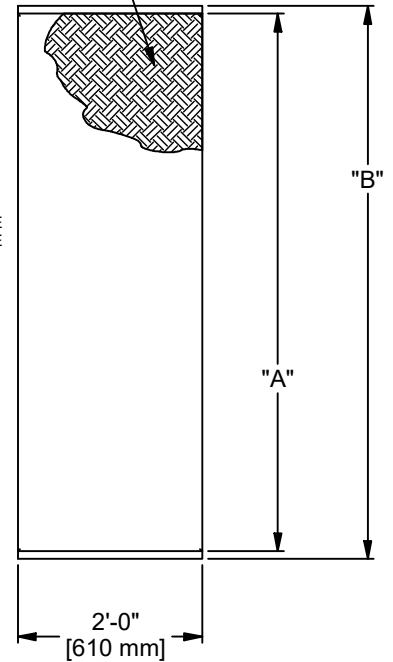
14 OZ. MIN. POLYESTER LAMINATED
VINYL. ATTACHED TO BACKING WITH
STAPLES EVERY 2.00" [50.8 mm]
MANUFACTURED BY BRUIN PLASTICS
OR EQUIV. MEETS ASTM 84, CLASS A RATED



1.00
[25 mm]
NAILING LIP

2" [50.8mm] CR SAFEGUARD FIRM
DENSITY FIRE RETARDANT NEOPRENE
MANUFACTURED BY CHESTNUT RIDGE
FOAM INC. OR EQUIV.
MEETS ASTM 84, CLASS A RATED

1.00
[25 mm]
NAILING LIP



WARNING
DO NOT INSTALL PADS MORE THAN 4" ABOVE
THE FINISHED FLOOR. INSTALLING PADS
ABOVE 4" CAN RESULT IN BODY CONTACT
WITH THE WALL AND PERSONAL INJURY.



Gared Performance Sports Systems
9200 East 146th Street, Suite A
Noblesville, IN 46060

THIS DOCUMENT CONTAINS TRADE SECRET AND OTHER MATERIALS
WHICH ARE PROTECTED BY CONFIDENTIALITY NOTICE AND AGREEMENT
AND BY COPYRIGHT. ANY USE OR COPYING OF THIS DOCUMENT EXCEPT
AS AUTHORIZED BY GARED PERFORMANCE SPORTS SYSTEMS IS STRICTLY
PROHIBITED.

WALL PAD, FIRM, FIRE RETARDANT

DRAWN MJP		DATE 1/28/2022	DATE ISSUED	
APPROVED		DATE		
SIZE A	SCALE NONE	SHT. NO. 1 OF 2	PART NO. 4131	REV B

B	CYC	09/26/23
A	MJP	01/28/22
REV	BY	DATE



PERFORMANCE SPORTS SYSTEMS

MODEL 4131

Class "A"

FIRM FIRE RETARDANT WALL PADDING

Wall padding standard size (Part number 4131-STD) shall be 6' [1.82 m] x 2' [0.9 m] with 1" [25.4 mm] nailing margin with height options (Part number 4131-NSD) available for both 7' [2.134 m] x 2' [0.9 m] and 8' [2.438 m] x 2' [0.9 m] with 1" [25.4 mm] nailing margin on top and bottom of each panel. Nailing margin reduces foam height from 6' [1.8 m] to 5'-10" [1.77 m], 7' [2.134 m] to 6'-10" [2.083 m], and 8' [2.44 m] to 7'-10" [2.39 m] respectively. Pads shall be constructed using 2" [50.8 mm] thick CR SafeGuard firm fire retardant neoprene foam, as manufactured and patented by Chestnut Ridge Foam, Inc. or equiv, and meeting ASTM 84 with a class A rating meeting Flame-Spread Index of 25 or less, and Smoke Development Index of 450 or less. Foam shall be cemented to 7/16" [11.11 mm] oriented strand board.

Cover material shall be 14-ounce polyester laminated vinyl as manufactured by Value Vinyls, or equiv. attached to backing with staples every two inches. Vinyl to be flame retardant material meeting ASTM 84, with a class A rating.

Vinyl shall be available in white, yellow, orange, red, kelly green, forest green, royal blue, marine blue, navy blue, gray, black, burgundy, beige, and purple.

Custom cutting and fitting of padding may be done in field to ensure proper fit. Furring strips by others (highly recommended).

ACCESSORIES

WALL ATTACHMENT TRIMS AND HARDWARE

Most wall padding may be attached with special attachment trims and hardware. See the wall padding section in the specification manual.

CERTIFICATIONS

ASTM E84 Class A Fire Rating

NFPA 286

Subject to design change and current manufacturing practices.