

**4000+ MULTI-DIRECTIONAL GOAL**  
Installation, operation, and Maintenance Instructions



# WARNING

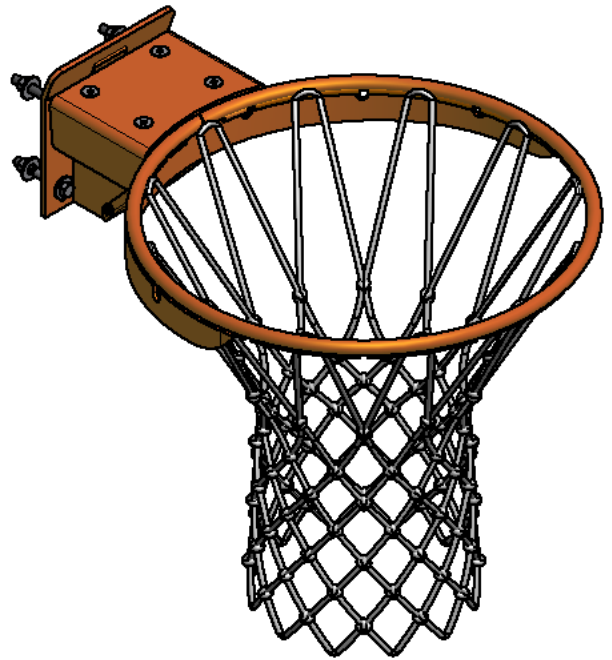
Failure to follow proper installation procedures can result in damage to goal and possible injury to personnel.  
Read and understand all installation instructions before proceeding.

## TOOLS REQUIRED:

#2 Phillips screwdriver, 9/16" Wrench, 11/16" Wrench 7/32" Allen wrench, and level

## INSTALLATION:

- 1) Remove goal and hardware from box and inspect for shipping damage.
- 2) Remove the four cover plate screws and cover plate.
- 3) Remove the two carriage bolts from the hardware bag along with two nuts and washers.
- 4) Install the carriage bolts through the top two goal mounting holes on the backboard, making sure the head of the bolt is on the goal side of the board. Install a washer and nut on each bolt and leave the about 1/2" of space between the board and the head of each bolt.
- 5) Slip the goal over the heads of the carriage bolts (the carriage bolt heads will fit through the large keyhole at the top of the back plate) and slide the goal down onto the bolt. The goal should be fully seated on each carriage bolt. Tighten the carriage bolt nuts enough to pull the goal firmly to the backboard.
- 6) If the backboard is a 42" glass board with two studs in the lower goal mounting position, install a washer and nut from the goal hardware bag and tighten by hand. All other boards will require the use of the hex head bolts in the lower goal mounting holes. Install the hex bolts from the front and install a washer and nut on the backside of the board. Tighten hand tight.
- 7) Torque the stud nuts to 9-11 ft-lbs [12-15 Nm]. Torque all bolt nuts to 15 -20 ft-lbs [20-27 Nm].
- 8) Place cover plate over the goal base and secure with the 4 self-tapping screws. Make sure all four screws are tight to prevent vibration and noise from the cover.
- 9) Install the net.



## MAINTENANCE:

- 1) Annually remove the cover plate and inspect moving components for wear, welds for cracks, and goal for overall condition.



Performance Sports Systems  
800-848-8034  
info@perfsports.com

Rev A

Gared Sports  
800-325-2682  
CustomerService@garedsports.com



## OPERATION:

This goal has been designed and manufactured to meet all FIBA, NCAA and NFSHSA specifications. The goal is factory set to deflect at 180 to 190 lbs [81-86 kg] per FIBA requirements, but can be reduced as desired while still meeting NCAA and NFSHSA Fair Court measurements.

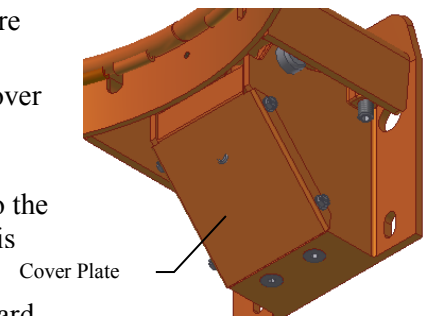
## 4000+ MULTI-DIRECTIONAL GOAL

### Adjustment Instructions

The NCAA requires goals to meet a specified range measured with the Fair Court measuring system. The NCAA requirements are 35% to 50% on the goal. The goals on the playing court must also be within 5%. There are several factors that can affect the measurements. The tightness of the rim to the backboard, the backboard connection, and the setting of the rim are the main factors. As an example a loose rim can make the measurement read 12% to 15% higher than the actual setting of the goal.

Gared goals are designed to allow adjustment for setting the rims. The procedure for adjustment is as follows:

1. Using a Phillips screwdriver, remove the four cover plate screws and cover plate.
2. First make sure the rim is securely tightened to the backboard. All four mounting bolts must be tight with no movement of the rim back plate to the board. If the rim bolts are loose, tighten the bolts to make sure the rim is secure and retest.
3. Make sure the backboard is secure to the mounting structure. If the board mounting is loose, tighten the mounting bolts and retest.

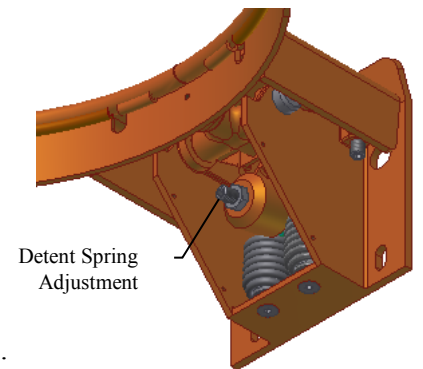


There is only one adjustment point for the model 4000+ rim. The one horizontal detent spring is the only adjustment required to change the measurements from the Fair Court measuring system.

Tools Required – Phillips Screwdriver, 11/16” wrench, and 7/32” Allen Wrench

The model 4000+ goal is preset at the factory to 180 to 190 lbs [81-86 kg] breakaway force. Adjusting the horizontal detent spring will change the measurement, but it also affects the breakaway force.

4. Take a baseline measurement and record the average reading.
5. When the average reading is too high, the spring will need to be tightened to lower the measurement. When the average reading is too low, the spring will need to be loosened to raise the measurement.
6. Adjust the springs in the following sequence until the desired measurement is achieved:
  - a. Using the 11/16” wrench, loosen the locknut on the set screw.
  - b. Tighten (or loosen) the set screw ¼ turn depending on the direction you need to change the Fair Court readings. (Tighten the set screw to lower the reading or loosen to raise the reading).
  - c. Recheck the Fair Court measurement.
  - d. Repeat steps b and c until the desired Fair Court reading is achieved.
  - e. Tighten the set screw locking nut, being careful not to rotate the setscrew.
7. Replace the cover plate and install the four cover plate screws. Tighten the cover plate screws securely.



Performance Sports Systems  
800-848-8034  
info@perfports.com

Rev A

Gared Sports  
800-325-2682  
CustomerService@garedsports.com

