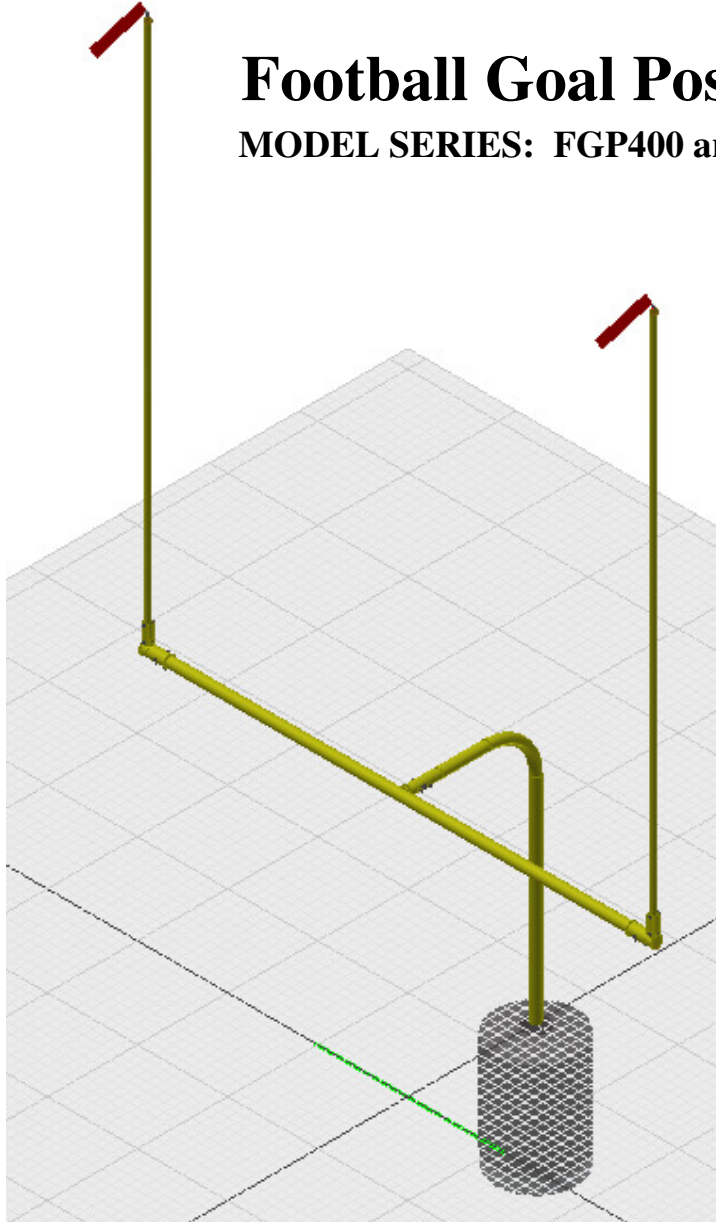




Football Goal Posts

MODEL SERIES: FGP400 and FGP600 series



Installation and Maintenance Instructions

Please read all instructions before attempting installation of these units

SAVE THESE INSTRUCTIONS FOR FUTURE USE

PUBLICATION No.
941752635 rev5

Revised
Jan 2016



FGP Series Football Goal Posts



Table of Contents

<u>Section</u>	<u>Page No.</u>
Introduction/Liability Disclaimer	3
Parts Checklist	4
Tools Required	6
Preparation for Installation	7
Post Installation – Permanent Mount	8
Post Installation with Ground Sleeves	9
Post Installation – Plate Mount	11
Crossbar Installation	13
Wind Flag Installation	13
Upright Installation	14
Optional equipment	14
Maintenance	15



FGP Series Football Goal Posts



Introduction/Liability Disclaimers

Thank you for your purchase of a Gared Sports FGP Series Football Goal Post. To ensure that our equipment will provide years of use to you, we are including this installation and maintenance guide. This guide will provide information on the proper assembly and installation methods and preventative maintenance of your football goal post.

Please note that a Bill of Materials is being included with this guide. Please check that all of the parts called out on the Bill of Materials are present prior to beginning assembly. Please do not substitute for factory parts. Please contact the Gared Sports customer service department and allow them to determine if substitute parts are acceptable.

It is recommended that an individual who has been properly trained perform assembly and set up of the Football Goal Post. No one under the age of 18 should attempt assembly or set up of the unit, unless properly supervised.

To prevent normal wear and tear from shortening the life of the unit, preventative maintenance inspections and repairs should be performed at least once per year. If the units are subject to high or unusual usage, inspections should be scheduled to occur more frequently. If items are found to be nonconforming, replacements can be ordered from Gared Sports or one of our authorized dealers. When contacting Gared Sports, please have information regarding the dealer/installer who sold the unit, the name of the project, and any applicable warranty information.

 WARNING
Do not allow persons to hang on Football Goal Post. Serious injury may occur from a fall. All football goal posts must be installed properly to avoid injury from tip over. Read and understand all assembly instructions.

Before proceeding with assembly, read all instructions and assembly procedures. Make sure all parts have been received and are not damaged.



FGP Series Football Goal Posts



Parts Checklist

Verify all parts listed on packing list are present prior to installation.

Football Goal Post Components

			PERMANENT/SLEEVE MODELS			
			FGP401S	FGP402S	FGP601S	FGP602S
			POST DIA.		5 9/16" OD	
			POST OFFSET		72"	
			UPRIGHT SPACING		23'-4"	18'-6"
			HS.	COLLEGE	HS	COLLEGE
ITEM	PART NUMBER	DESCRIPTION	QTY	QTY	QTY	QTY
1	155752729	WINDFLAG ENDCAP ASSEMBLY (PAIR)	1	1	1	1
2	945751120	CROSSBAR WELDMENT, 4.5 HS X 4.5 POST	1			
	945751121	CROSSBAR WELDMENT, 4.5 COLL X 4.5 POST		1		
	945751719	CROSSBAR WELDMENT, 4.5 HS X 5.56 POST			1	
	945751713	CROSSBAR WELDMENT, 4.5 COLL X 5.56 POST				1
3	945751122	BRKT WLDMT, UPRIGHT, 4-1/2" CROSSBAR	2	2	2	2
4	945752116	POST WELDMENT, 4 1/2" DIA, 5 FT FGP	1	1		
	945751711	POST WELDMENT, 5 9/16" DIA, 5 FT FGP			1	1
5	945755242	UPRIGHT-ALUMINUM, 20' GOAL POST	2	2	2	2
9	155752638	KIT, HARDWARE-FGP401S AND FGP402S	1	1		
	155752640	KIT, HARDWARE-FGP601S AND FGP602S			1	1
9.1	101152132	THREADED ROD, 1/2-13 X 10" LG	1	1		
	945751724	THREADED ROD, 3/4" DIA X 12-1/2" LONG			1	1
9.2	502-8-13-60	HEX BOLT, 1/2-13 UNC X 3.75	4	4	4	4
9.3	502-8-13-88	HEX BOLT, 1/2-13 UNC X 5.5	1	1		
	502-8-13-104	HEX BOLT, 1/2-13 UNC X 6.5			1	1
9.4	502-8-13-96	HEX BOLT, 1/2-13 UNC X 6	2	2	2	2
9.5	511-6-16-8Z	SET SCREW, CUP POINT 3/8-16 UNC X 0.5 Z	4	4	2	2
9.6	515- 8-13-16	SET SCREW, SQ HEAD 1/2-13 UNC X 1	6	6	6	6
9.7	541-8-13	HEX NUT 1/2-13	2	2		
	541-12-10	HEX NUT 3/4-10			2	2
9.9	545-8-13	HEX NUT, NYLON LOCK 1/2-13	7	7	7	7
9.10	561-8	FLAT WASHER 1/2	8	8	8	8
9.11	941752635	INST'L INSTR FGP SERIES GOAL POSTS	1	1	1	1

*Note: Quantities shown are for one goal. FGP goals sold in pairs.

Note: Part numbers that have a "Y" added to the end of the number indicate the crossbar and uprights are painted yellow. Part numbers that have a "W" added to the end of the number indicate the crossbar and uprights are painted white.



FGP Series Football Goal Posts



PLATE MOUNT MODELS	FGP401P	FGP402P	FGP601P	FGP602P
POST DIA.	4 1/2" OD		5 9/16" OD	
POST OFFSET	60"		72"	
UPRIGHT SPACING	23'-4"	18'-6"	23'-4"	18'-6"
	HS.	COLLEGE	HS	COLLEGE

ITEM	PART NUMBER	DESCRIPTION	QTY	QTY	QTY	QTY
1	155752729	WINDFLAG ENDCAP ASSEMBLY (PAIR)	1	1	1	1
2	945751120	CROSSBAR WELDMENT, 4.5 HS X 4.5 POST	1			
	945751121	CROSSBAR WELDMENT, 4.5 COLL X 4.5 POST		1		
	945751719	CROSSBAR WELDMENT, 4.5 HS X 5.56 POST			1	
	945751713	CROSSBAR WELDMENT, 4.5 COLL X 5.56 POST				1
3	945751122	BRKT WLDMT, UPRIGHT, 4-1/2" CROSSBAR	2	2	2	2
4	945752125	POST WELDMENT, 5' OFFSET, PLATE MOUNT	1	1		
	945751725	POST WELDMENT, 6' OFFSET, PLATE MOUNT			1	1
5	945755242	UPRIGHT-ALUMINUM, 20' GOAL POST	2	2	2	2
6	945751195	THREADED ROD, 3/4" X 40" LG	4	4	4	4
7	945751728	PLATE, GROUND TEMPLATE	1	1	1	1
8	945751734	RE-BAR, 1/2 X 4' LONG	4	4	4	4
9	155752639	KIT, HARDWARE-FGP401P AND FGP402P	1	1		
	155752641	KIT, HARDWARE-FGP601P AND FGP602P			1	1
9.1						
9.2	502-8-13-60	HEX BOLT, 1/2-13 UNC X 3.75	4	4	4	4
9.3	502-8-13-88	HEX BOLT, 1/2-13 UNC X 5.5	1	1		
	502-8-13-104	HEX BOLT, 1/2-13 UNC X 6.5			1	1
9.4	502-8-13-96	HEX BOLT, 1/2-13 UNC X 6	2	2	2	2
9.5	511-6-16-8Z	SET SCREW, CUP POINT 3/8-16 UNC X 0.5 Z	4	4	4	4
9.6	515- 8-13-16	SET SCREW, SQ HEAD 1/2-13 UNC X 1	6	6	6	6
9.7	541-12-10	HEX NUT 3/4-10	12	12	12	12
9.8	561-12	FLAT WASHER 3/4	8	8	8	8
9.9	545-8-13	HEX NUT, NYLON LOCK 1/2-13	7	7	7	7
9.10	561-8	FLAT WASHER 1/2	8	8	8	8
9.11	941752635	INST'L INSTR FGP SERIES GOAL POSTS	1	1	1	1

*Note: Quantities shown are for one goal. FGP goals sold in pairs.

Note: Part numbers that have a "Y" added to the end of the number indicate the crossbar and uprights are painted yellow. Part numbers that have a "W" added to the end of the number indicate the crossbar and uprights are painted white.

155752729 WINDFLAG ENDCAP ASSY (PAIR)

ITEM	PART NUMBER	DESCRIPTION	QTY
1.1	1280-30-00	UNIVERSAL SNAP LINK, 1/4"	2
1.2	1406-11-00	EYEBOLT, 5/16" X 1" STAINLESS	2
1.3	541-5-18SS	HEX NUT 5/16-18 SS	2
1.4	545-5-18Z	HEX NUT, NYLON LOCK 5/16-18	2
1.5	945751760	WIND FLAG, FOOTBALL GOAL POST	2
1.6	945752727	END CAP, FOOTBALL UPRIGHTS	2

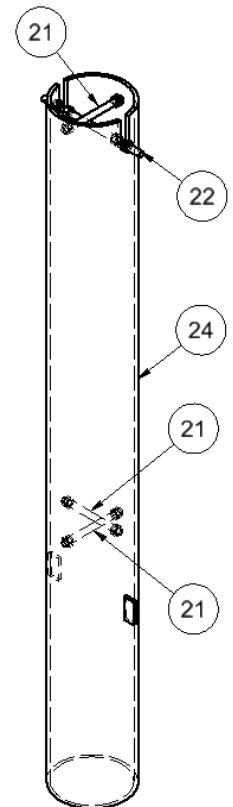
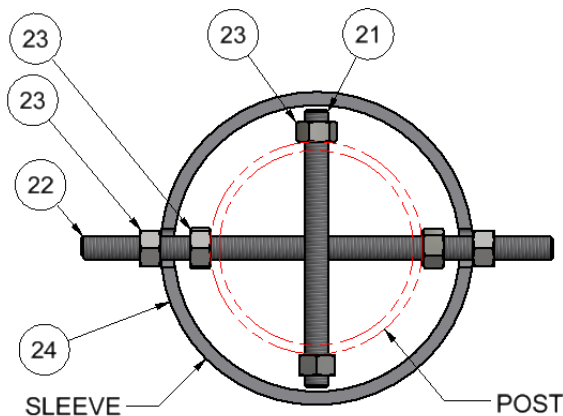
FGP Series Football Goal Posts

Ground Sleeve Components

Check the chart for the proper parts that match the Ground Sleeves you received.

			GROUND SLEEVE PKG, MODEL	
			FGP400GS	FGP600GS
			OD	8 5/8"
			LENGTH	60"
ITEM	PART NUMBER	DESCRIPTION	QTY	QTY
21	101152131	THREADED ROD, 1/2-13 X 5.88 LG	3	
	945751721	THREADED ROD, 3/4" DIA X 7 7/8" LONG		3
22	101152132	THREADED ROD, 1/2-13 X 10" LG	1	
	945751724	THREADED ROD, 3/4" DIA X 12-1/2" LONG		1
23	541-8-13	HEX NUT 1/2-13	10	
	541-12-10	HEX NUT 3/4-10		10
24	945752124	TUBE, GROUND SLEEVE, 4-1/2" POST	1	
	945751723	TUBE, GROUND SLEEVE, 5 9/16" POST		1

*Note: Quantities shown are for one sleeve. Sleeve package sold in pairs.



Required Tools

Also required is necessary equipment to dig hole for posts, ground sleeves, or post supports. Concrete working tools will be required.

- | | |
|---------------------------------|----------------------|
| 1/2" electric or cordless drill | 1/8" Allen Wrench |
| 17/32" drill bit | pliers |
| 1/2" drive ratchet | cutting pliers |
| 3/4" socket | mallet |
| 1 1/8" socket | hammer |
| 1/2" open end wrench | level |
| 3/4" wrench | tape measure |
| 1 1/8" open end wrench | chalk line or string |

Preparation for installation

1. Layout the location for the holes on the field. For the FGP401 or 402 series goals (4 1/2" diameter post), the center of the hole must be 5'-2 1/4" behind the front of the end zone end line as shown above. For the FGP601 or 602 series goals (5 9/16" diameter posts), the center of the hole must be 6'-2 3/4" behind the front of the end zone end line as shown above.
2. Dig hole as shown in Figure 1, Figure 2, or Figure 3 depending on the type of post installation required. Figure 1 shows dimensions for a permanent mounting, Figure 2 shows dimensions for ground sleeve mounting, and Figure 3 shows dimensions for the plate mounted goals.

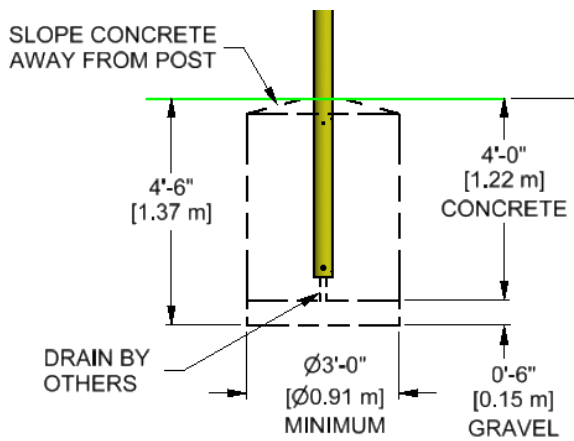


FIGURE 1 (permanent)

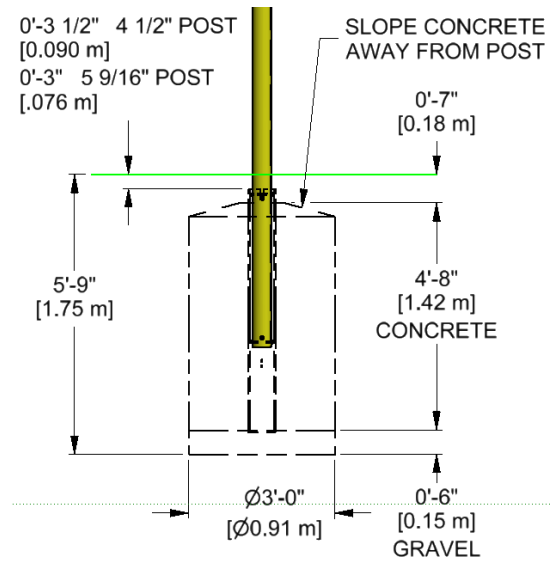


FIGURE 2 (sleeve mount)

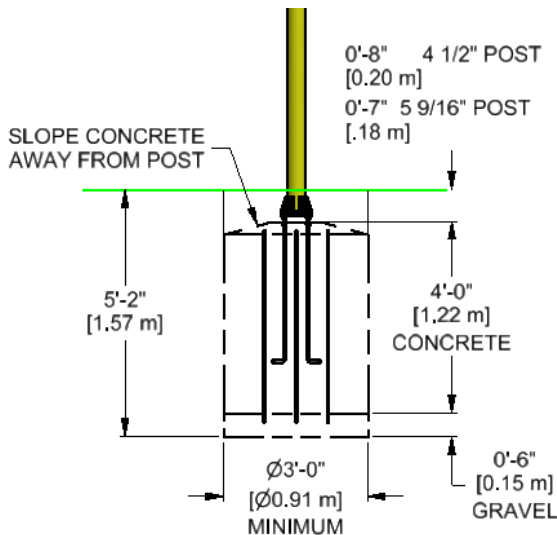
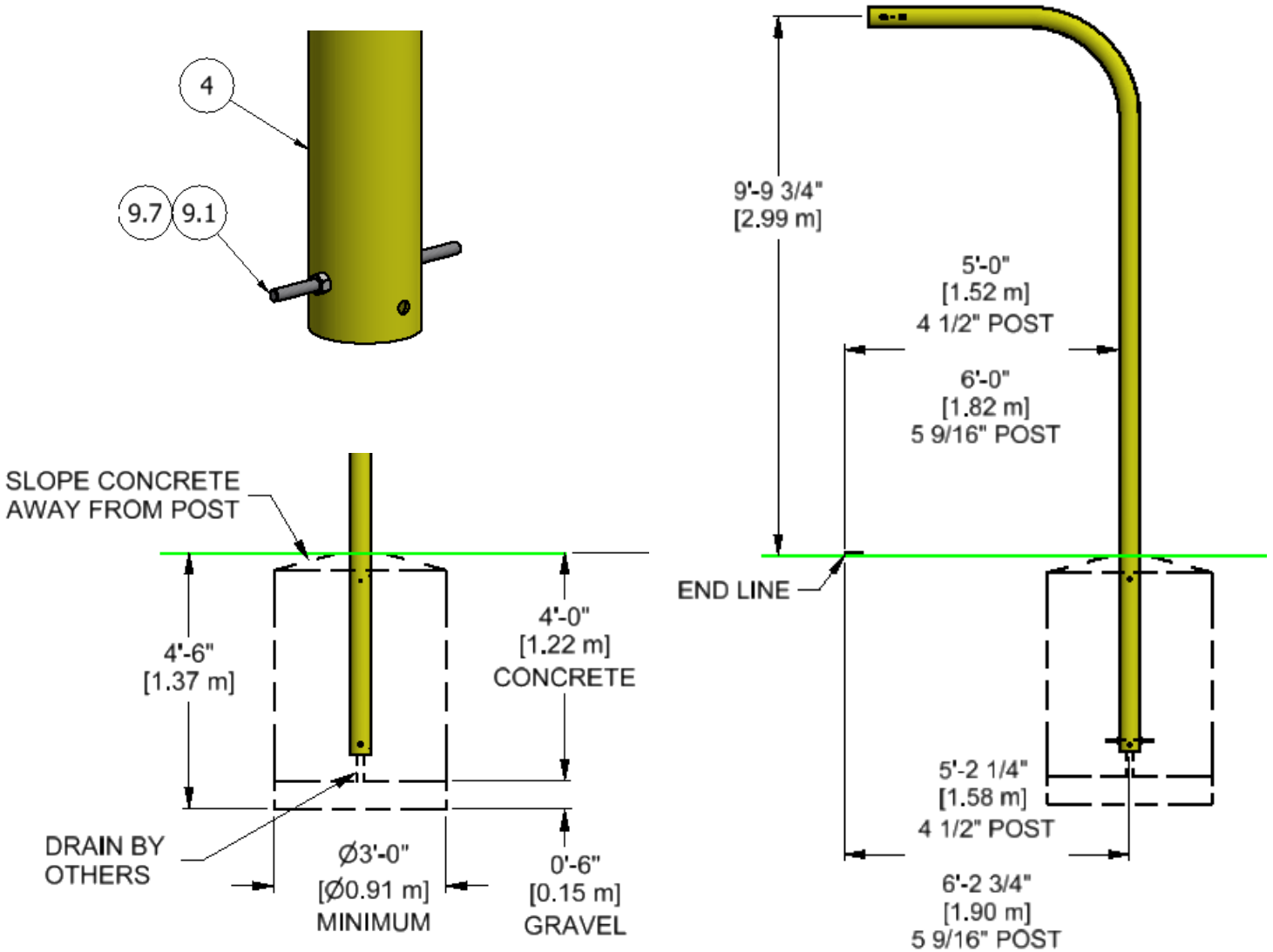


FIGURE 3 (plate mount)

Post Installation – Permanent Mount (Figure 1)

NOTE: This section provides information for proper location and installation of the permanent mounted goal post. If your installation requires a sleeve mount or plate mounted post, proceed to the appropriate section.

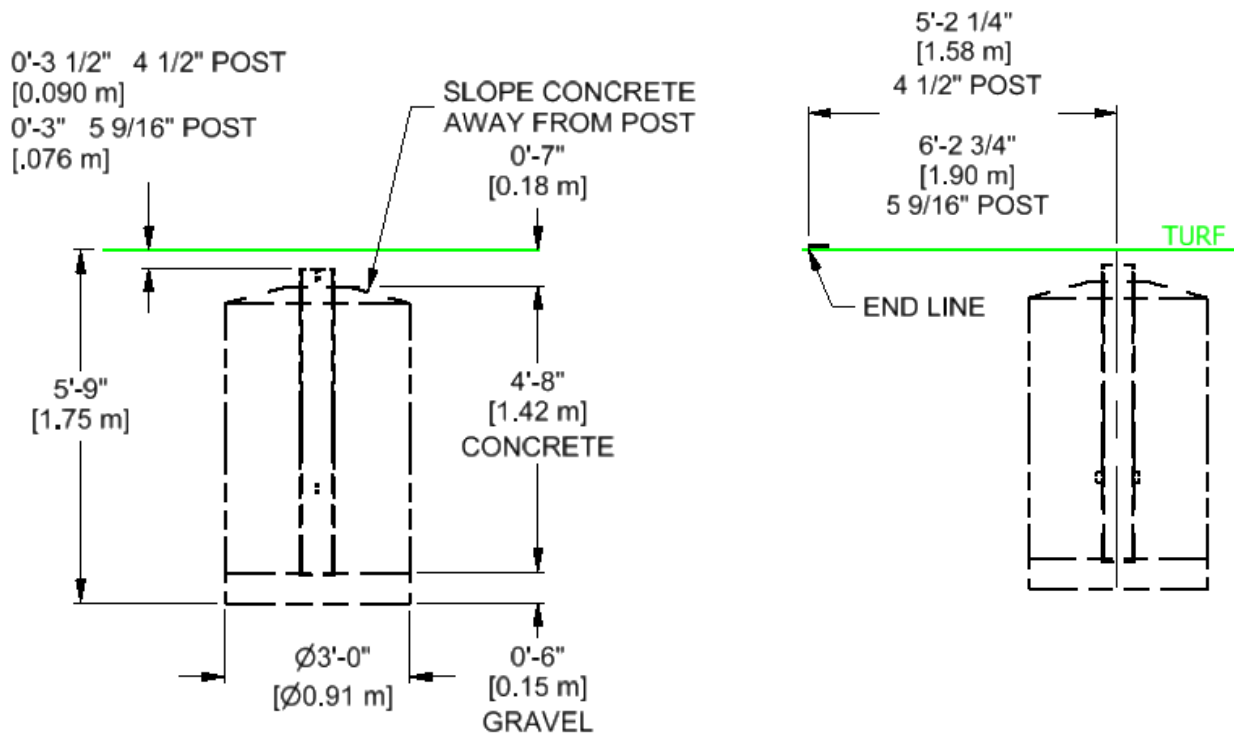


1. Stretch a string the length of the field centered on the playing field. This string should be over the center of the holes on each end of the field dug for the sleeve mounts.
2. Add 6” of gravel to the bottom of the hole.
3. Insert a drainage tube approximately 8-10” long in the center of each.
4. Install one the threaded rods, item 9.1, through one of the bottom holes in the post and secure with a nut, item 9.7, on each side. Tighten nuts by hand.
5. Set the post, item 4, into the center of the hole with the horizontal portion of the gooseneck aligned with the centerline of the playing field. Make sure the post is plumb and the center of the post is 5’-2 1/4” behind the front of the end zone end line for the 4 1/2” post or 6’-2 3/4” for the 5 9/16” post.

6. Support the post to maintain its position while the concrete cures. This may require some scaffolding and bracing. Measure from the playing surface to the center of the open end of the pipe at the gooseneck. The measurement taken should be 9'-9 3/4".
7. Fill the hole around the post with concrete to approximately 2" below the ground surface. Slope the concrete away from the post to promote drainage.
8. Concrete should cure for a minimum of 5 days before removing bracing and installing crossbar and uprights.

Ground Sleeve Installation (Figure 2)

NOTE: This section provides information for proper location and installation of the optional ground sleeves. If your installation requires a permanent mounted post or plate mounted post, proceed to the appropriate section.

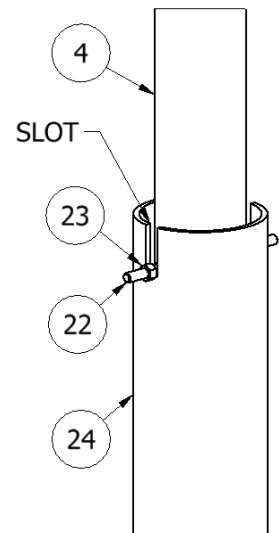
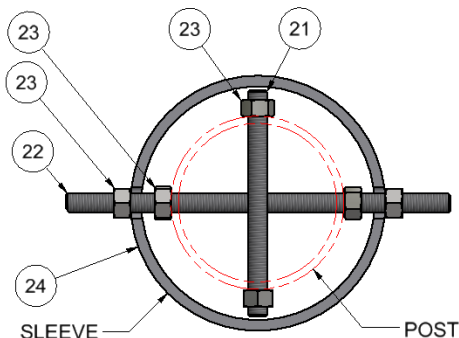
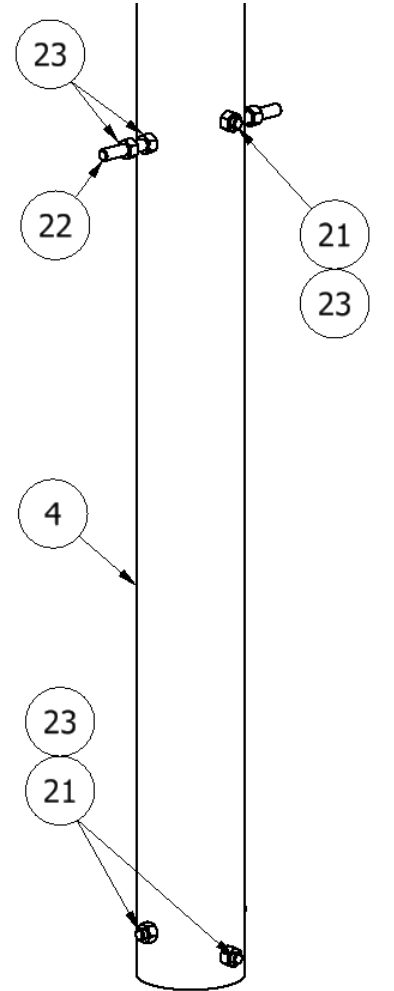


1. Stretch a string the length of the field centered on the playing field. This string should be over the center of the holes on each end of the field dug for the sleeve mounts.
2. Add 6" of gravel to the bottom of each hole.
3. Set the ground sleeve, item 24, into the center of the hole with the slots at the top. Align slots with the string line. Make sure the sleeve is plumb and the center of the sleeve is 5'-2 1/4" behind the front of the end zone end line for the FGP400GS or 6'-2 3/4" behind the front of the end zone end line for the FGP600GS.
4. Measure from the playing surface down to the top of sleeve. Make sure this measurement is 3 1/2" for the FGP400GS and 3" for the FGP600GS. Adjust height of sleeve in the hole to achieve the proper dimension. Bottom of sleeve should be setting on gravel or shimmed with a stone or brick.

5. Fill the hole around the ground sleeve with concrete to approximately 7" below the turf surface. Slope the concrete away from the sleeve to promote drainage.
6. Concrete should cure for a minimum of 5 days before installing goal posts.

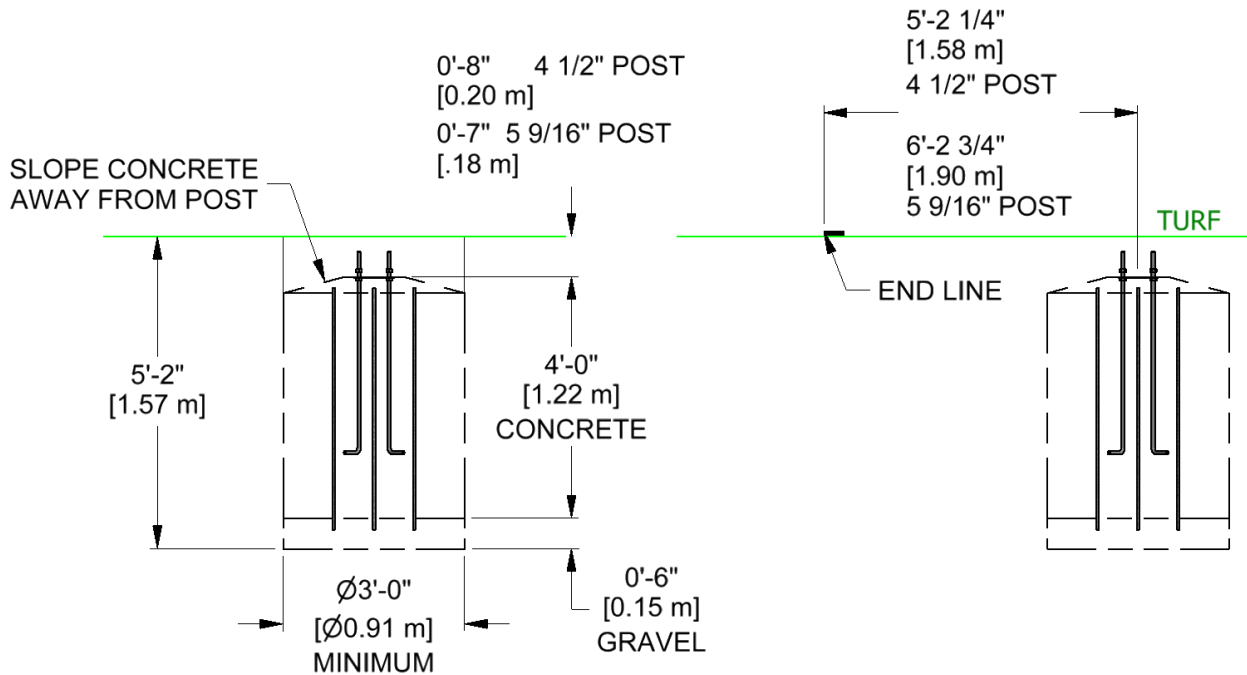
After concrete has cured completely proceed with installing the post into the sleeve.

1. Install the long threaded rod, item 22, through the top hole of the gooseneck post, item 4, in line with the gooseneck. Center the rod and secure with a nut, item 23 on each side.
2. Install the three short threaded rods, item 21, in the remaining three holes. Center each rod and secure with one nut, item 23, on each side.
3. Set the post into the sleeve and lower until the long threaded rod engages in the slot at the top of the sleeve.
4. Place a level on the post and check for plumb (check both directions).
5. If post requires adjustment to plumb, remove the post from the sleeve and loosen the nuts on the threaded rods. Tighten one of the nuts on one side of the threaded rod to shift the rod to the side. Tighten the nuts on both sides and set the post back into the sleeve. Recheck for plumb. Continue this process until the post is plumb.
6. Measure from the playing surface to the center of the open end of the pipe at the gooseneck. The measurement taken should be 9'-9 3/4"
7. Adjust the threaded rods in line with the gooseneck to tilt the post. Tilting the post will adjust height of the gooseneck to achieve the correct measurement.
8. Once the post has been plumbed and adjusted to the correct vertical measurement, check the gooseneck alignment to the center of the field.
9. Rotate the gooseneck to make sure the horizontal portion of the gooseneck is accurately lined up with the centerline of the playing field.
10. Install a nut, item 23, on each side of the threaded rod in the slots and tighten all nuts securely to prevent movement of the post.

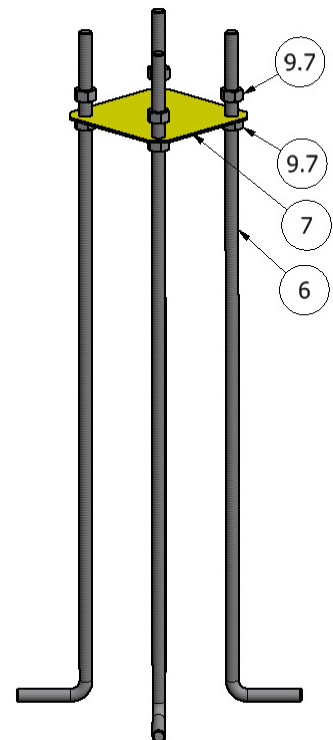


Post Installation – Plate Mount (Figures 3)

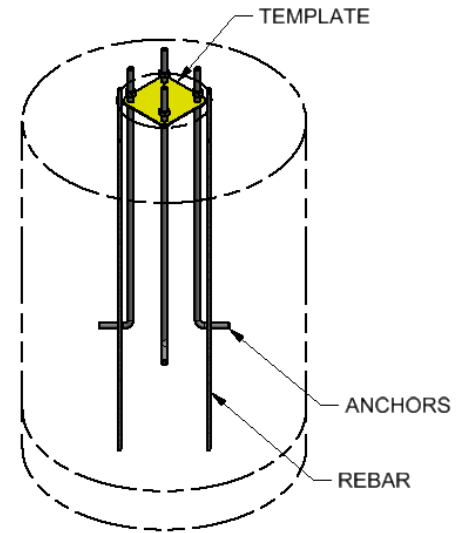
NOTE: This section provides information for proper location and installation of the plate mounted goal post. If your installation requires a permanent mounted post or sleeve mount, proceed to the appropriate section.



1. Stretch a string the length of the field centered on the playing field. This string should be over the center of the holes on each end of the field dug for the post mounts.
2. Add 6" of gravel to the bottom of each hole.
3. Install a 3/4" nut, item 9.7 onto each anchor rod, item 6. Screw the nut onto the rod 4 1/4". Make sure 4 1/4" of thread is exposed above the nut.
4. Install each rod into the ground template plate, item 7, then add another 3/4" nut, item 9.7. Make sure the bent portion of the rods are turned outward from the plate at approximately a 45° angle. Tighten the nuts by hand.
5. Fill the hole with concrete to approximately 7" below the ground surface. Level a spot in the center of the hole about 10" in diameter. Slope the concrete away from the center to promote drainage.

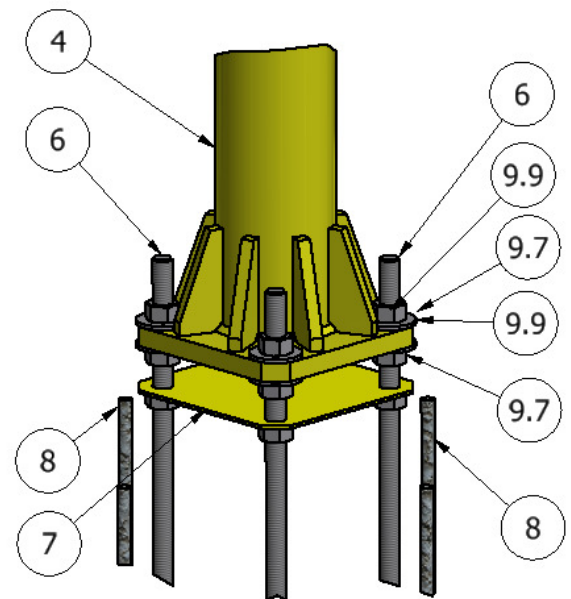


6. Insert the plate and rod assembly into the concrete and work it down until the bottom of the plate is touching the concrete. Make sure the center of the plate is directly under the string line, square with the field, and the center of the plates is the correct distance behind the front of the end zone end line. 5'-2 1/4" for the 4 1/2" diameter post, 6'-2 3/4" for the 5 9/16" post.
7. Insert the four pieces of re-bar, item 8, vertically into the concrete about 4" out from the plate and 90° from each other. Work the bars down until they are approximately 3" below the surface of the concrete.
8. Smooth surface of concrete and allow to cure.
9. Concrete should cure for a minimum of 5 days before installing goal posts.



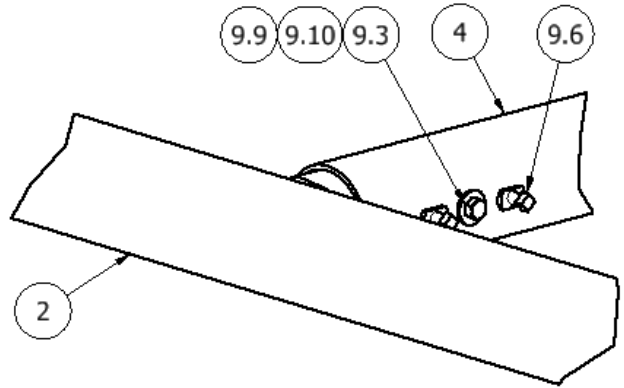
After concrete has cured completely proceed with installing the post onto the base.

1. Install a 3/4" flat washer, item 9.7 on each threaded rod.
2. Set post over the threaded rods being careful to not damage the exposed threads.
3. Install another 3/4" flat washer, item 9.7 on each rod and then install a 3/4" nut, item 9.9 on each rod.
4. Tighten all four nuts enough to make sure the post is firmly seated on the base.
5. Place a level on the post and check for plumb (check both directions).
6. If post requires adjustment to plumb, loosen the nuts and adjust the nuts under the post plate to raise the edge of the plate. Tighten the top nuts and recheck for plumb. Continue adjusting until the post is plumb.
7. Measure from the playing surface to the center of the open end of the pipe at the gooseneck. The measurement taken should be 9'-9 3/4". Adjust the height of the post to achieve the correct measurement by adjusting the nuts at the base of the post.
8. Once the post has been plumbed and adjusted to the correct vertical measurement, check the gooseneck alignment to the center of the field.
9. Rotate the gooseneck to make sure the horizontal portion of the gooseneck is accurately lined up with the centerline of the playing field.
10. Tighten all nuts securely to prevent movement of the post.



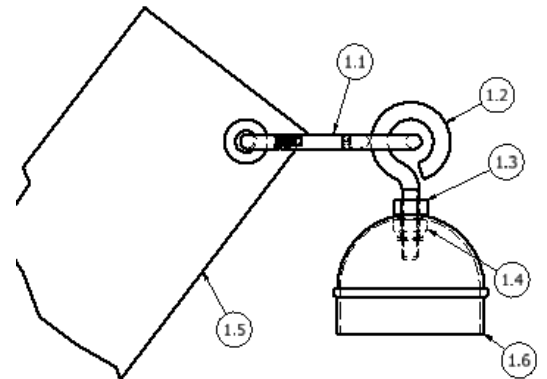
Crossbar Installation

1. Make sure inside diameter of post is clean and free of burrs.
2. Raise crossbar, item 2, to the post making sure it is supported on each end.
3. Slide the crossbar stub into the post, item 4, and push in approximately 12”.
4. Drop a plumb bob from the front edge of the crossbar to the ground.
5. The front of the crossbar should be directly above the inside edge of the end zone end line.
6. Move the crossbar in or out of the post until the plumb bob is lined up correctly on the end zone end line.
7. Place a level on the cross bar and rotate the crossbar in the post until it is level.
8. Install the two setscrews, item 9.6, and tighten securely.
9. Recheck crossbar for level and recheck alignment to the end zone end line.
10. Using the hole on the post as a guide, drill a 17/32” hole through the crossbar stub.
11. Install the ½” bolt, item 9.3, with a flat washers, item 9.10, and secure with a ½” locknut, item 9.9.
12. Tighten the locknut securely and retighten both setscrews.



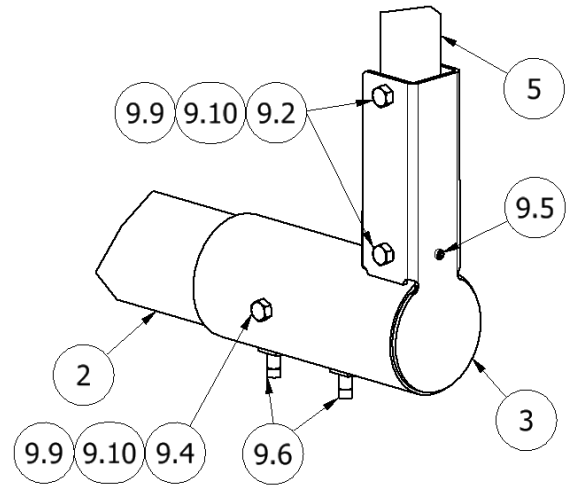
Wind Flag Installation

1. Install the 5/16” nut, 1.3, onto the eyebolt, item 1.2.
2. Insert the eyebolt into the end cap, item 1.6, and secure with the 5/16” locknut, item 1.4.
3. Repeat for each cap assy.
4. Tap the end cap assembly onto the top (end of upright without a hole) of each upright, item 5.
5. Install the snap link, item 1.1, through the eyebolt to attach the wind flag, item 1.5.



Upright Installation

1. On the ground, install the upright mounting bracket, item 3, onto the upright, item 5,
2. Insert the ½” bolt, item 9.2 with flat washers, item 9.10, through the bracket and upright and secure with a ½” locknut, item 9.9.
3. Raise the upright (bracket end) to the level of the crossbar and slide the bracket onto the crossbar, item 2.
4. Make sure the upright mounting bracket is pushed onto the crossbar completely.
5. Rotate the upright to the vertical position and snug the two setscrews, item 9.6, in the bracket.
6. Using a level, adjust the upright for plumb.
7. When the upright is plumb, tighten both setscrews securely, item 9.6 and item 9.5.
8. Using the hole in the bracket as a guide, drill a 17/32” hole through the crossbar.
9. Install the ½” bolt, item 9.4, with a flat washers, item 9.10, and secure with a ½” locknut, item 9.9.
10. Tighten the locknut securely and retighten both setscrews.
11. Repeat the process for the other upright.



Optional Equipment

1. Install optional pads to gooseneck post.
 - GSPPAD3 Protective post pad for posts up to 4 1/2” O.D.
 - GSPPAD4 Protective post pad for posts up to 6” O.D.



FGP Series Football Goal Posts



Maintenance

- 1) General inspection of equipment when used should be performed to ensure no catastrophic failures have occurred during the course of use between yearly inspections.
- 2) It is recommended that yearly inspections be conducted to determine if any bolts or other hardware has become worn or loosened.
- 3) During yearly inspections, check all joints to make sure they are tight and secure. Check the wind flags for general condition and wear.
- 4) Any loose bolts or nuts should be tightened.
- 5) Replace any components that are missing or worn.



Gared Holdings, LLC

Performance Sports Systems
9200 E. 146th Street
Noblesville, IN 46060

800-848-8034
www.perfsports.com

Gared Sports
9200 E. 146th Street
Noblesville, IN 46060

800-325-2682
www.garedsports.com