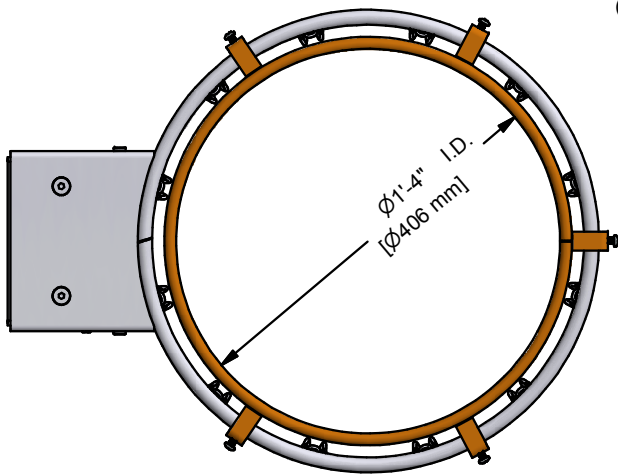


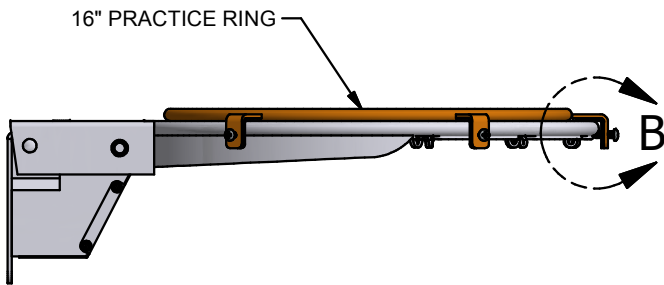
STANDARD GOAL
W/ 18" [457 mm] ID,
(NOT INCLUDED)

16" PRACTICE RING

(5) MOUNTING
POINTS

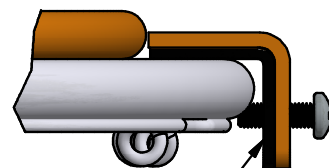


$\Phi 1'-4''$ I.D.
[406 mm]



16" PRACTICE RING

B



RUBBER PAD

ATTACHMENT
DETAIL B

B	WDC	08-15-17
REV	BY	DATE



PSS
PERFORMANCE
SPORTS SYSTEMS



G
GARED™

Gared Holdings, LLC
9200 E. 146th St. Noblesville, IN 46060

THIS DOCUMENT CONTAINS TRADE SECRET AND OTHER MATERIALS WHICH ARE PROTECTED BY CONFIDENTIALITY NOTICE AND AGREEMENT AND BY COPYRIGHT. ANY USE OR COPYING OF THIS DOCUMENT EXCEPT AS AUTHORIZED BY GARED HOLDINGS, LLC IS STRICTLY PROHIBITED.

PRACTICE RING, 16"			
DRAWN	CROSBY	DATE	8/15/2017
APPROVED		DATE	
FILE LOC. Q:\Inventor Files\Specification Files\13_Gym Equipment			
SIZE	SCALE	SHT. NO.	PART NO.
A		1 OF 2	PR
			REV B



MODEL PR

PRACTICE RING WITH REDUCED OPENING

APPLICATION

Practice ring is ideal for practicing shooting skills. The ring gives the shooter a smaller target and improves shooting accuracy. Practice ring reduces the standard goal size from 18" [458 mm] to 16" [406 mm].

SPECIFICATION

The practice ring shall be constructed of a ½" diameter steel rod formed into a ring of 16" [406 mm] inside diameter. Ring shall have 5 mounting points constructed from formed flat bar stock to fit over a standard goal ring. Each mounting point shall be fitted with a rubber pad to rest against the standard goal ring and shall have a locking screw to be tightened against the standard ring.

Subject to design change and current manufacturing practices.
Revised March 17, 2009 ©2008 Gared Holdings, LLC