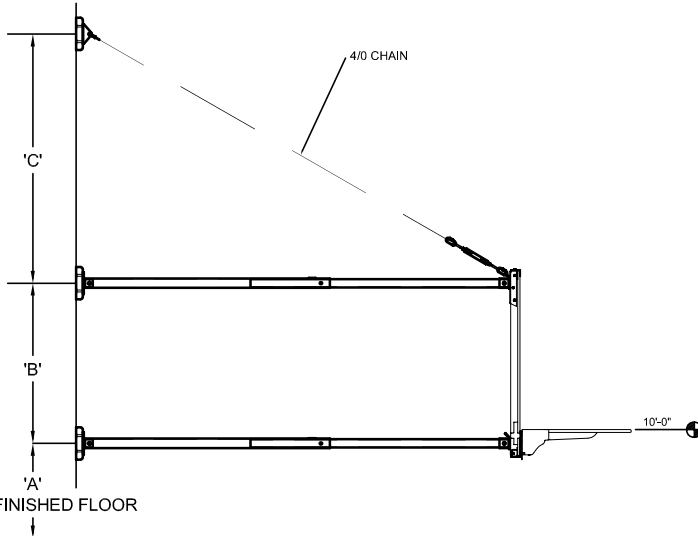
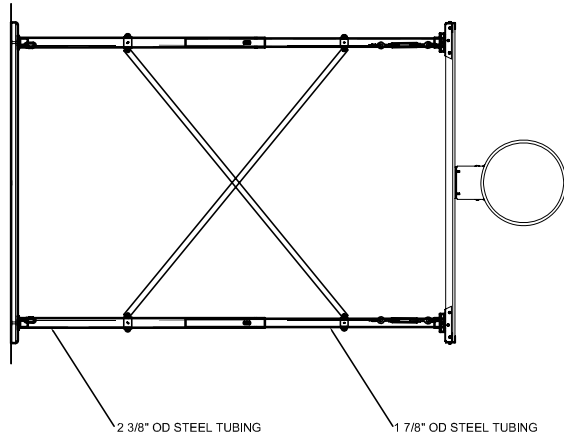
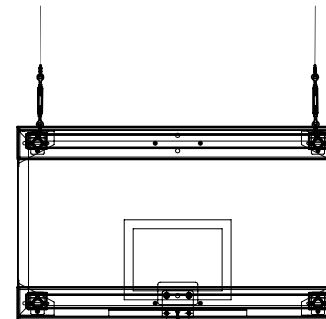
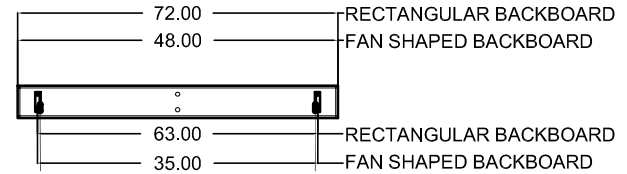


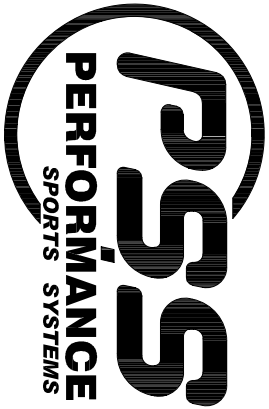
NOTE: WHEN USING 48" RECTANGULAR BOARD  
REDUCE 'A' DIMENSION BY 6" AND INCREASE  
'B' DIMENSION BY 6".



EXTENSION	FAN SHAPED BOARD			42" REC SHAPED BRD SEE NOTE		
	A	B	C	A	B	C
2' - 3'	10' 3/16"	20"	24"	9' 8-15/16"	36"	24"
3' - 4'	10' 3/16"	20"	24"	9' 8-15/16"	36"	24"
4' - 6'	10' 3/16"	20"	35"	9' 8-15/16"	36"	35"
6' - 9'	10' 3/16"	20"	56"	9' 8-15/16"	36"	56"
9' - 12'	10' 3/16"	20"	79"	9' 8-15/16"	36"	79"
EXTENSION	FAN BOARD W/ AAG			42" & 48" REC BOARD W/ AAG		
	A	B	C	A	B	C
2' - 3'	10' 2-1/2"	36"	24"	10' 2-1/2"	36"	24"
3' - 4'	10' 2-1/2"	36"	24"	10' 2-1/2"	36"	24"
4' - 6'	10' 2-1/2"	36"	35"	10' 2-1/2"	36"	35"
6' - 9'	10' 2-1/2"	36"	56"	10' 2-1/2"	36"	56"
9' - 12'	10' 2-1/2"	36"	79"	10' 2-1/2"	36"	79"



REVISION		REV.	DATE	BY
		A	12/17/03	JDF
		B	1/14/05	ATS



DRAWN		CONNERLEY	DATE	04/30/03	MODEL 2300 STATIONARY
APPROVED		JJC	DATE	04/30/03	
FILE LOC. M:\SPECIFICATIONS\WALL MOUNT					
SIZE	SCALE	SHT. NO.	DWG. NO.		
A	NONE	1 OF 1		2300	
					REV
					B

THIS DOCUMENT CONTAINS TRADE SECRET AND OTHER MATERIALS WHICH ARE PROTECTED BY CONFIDENTIALITY NOTICE AND AGREEMENT AND BY COPYRIGHT. ANY USE OR COPYING OF THIS DOCUMENT AND EXCEPT AS AUTHORIZED BY PERFORMANCE SPORTS SYSTEMS, INC. IS STRICTLY PROHIBITED.

WALL MOUNT STATIONARY

REV B