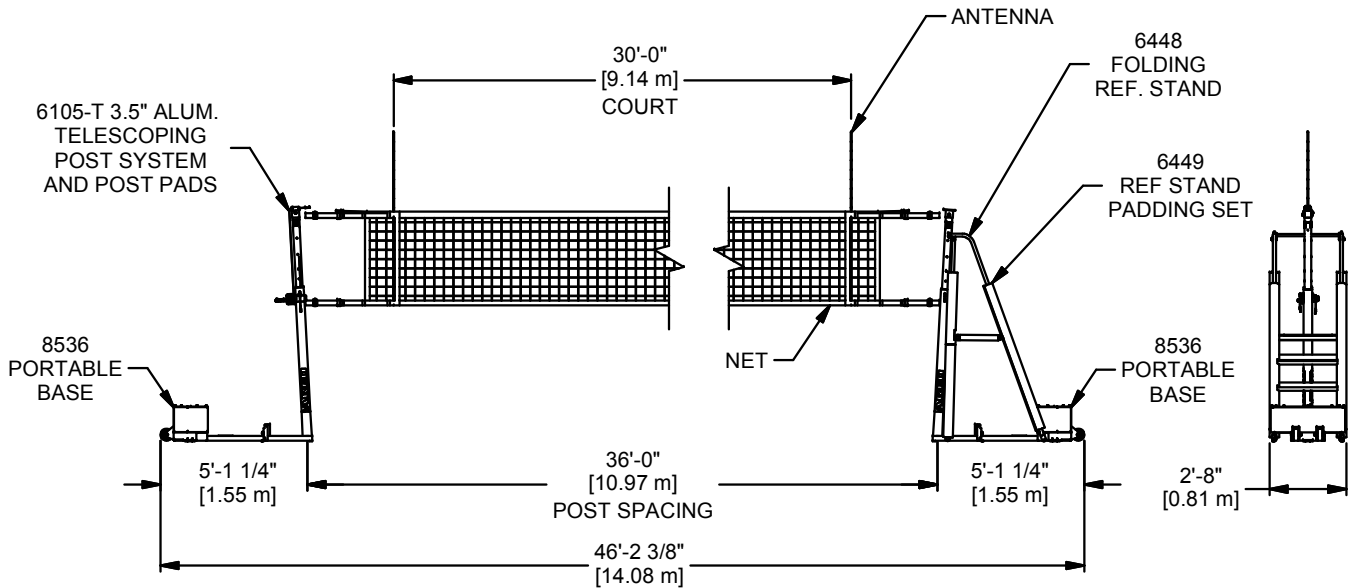
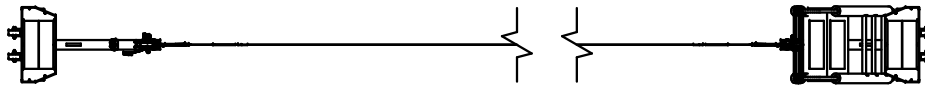


USE ACESORY 603801126 DOLLY ASSY TO POSITION PORTABLE BASE, (NOT INCLUDED WITH MODEL 8536)



WEIGHT: 1460 lbs [662 kg] / COURT
 (20) COURTS PER TRUCK = 31,000 lbs [14,060 kg]

A	WDC	10-06-17
REV	BY	DATE




Gared Holdings, LLC
 9200 E. 146th St. Noblesville, IN 46060

THIS DOCUMENT CONTAINS TRADE SECRET AND OTHER MATERIALS WHICH ARE PROTECTED BY CONFIDENTIALITY NOTICE AND AGREEMENT AND BY COPYRIGHT. ANY USE OR COPYING OF THIS DOCUMENT EXCEPT AS AUTHORIZED BY GARED HOLDINGS, LLC IS STRICTLY PROHIBITED.

GO COURT JR, 1 COURT SYSTEM W/WHEELS

DRAWN CROSBY	DATE 6/29/2016	DATE ISSUED
APPROVED	DATE	

FILE LOC. Q:\Inventor Files\Specification Files\11_Volleyball

SIZE A	SCALE	SHT. NO. 1 OF 2	PART NO. 8536PKG	REV A
------------------	-------	--------------------	----------------------------	-----------------



MODEL 8536PKG

GO COURT JR, ONE-COURT PORTABLE VOLLEYBALL SYSTEM

Recommended Application

This model is designed for portable tournament volleyball play with quick setup and compact transport and storage dimensions. No need to drill floor or install sleeves. Designed to be moved with a fork truck, pallet jack, or optional dolly 603801126.

8535 Portable Base Unit

The base unit shall be a welded steel construction with a powder coat finish. A 7 ga. steel frame supports the ballast tank and a folding 2" x 4" tube extends from the base to support a sleeve for a 3 1/2" volleyball post. Fork pockets are integral to the base so it can be easily moved from the rear of the unit. The ballast tank is constructed with welded, 11 ga. steel and factory loaded with 515 lbs of ballast. Anti-skid pads protect the floor. Each base shall have (2) 5" dia, polyurethane wheels which allows it to be moved by hand with optional dolly. The base unit shall be padded with 2" bonded foam covered with 14 oz. vinyl available in standard colors as listed below.

6100 Scholastic Telescopic Volleyball System

Upright Bottom Post shall be lightweight high strength, heavy wall, 3 1/2" O.D. aluminum. The upper telescoping adjustable tube shall be 2 7/8" lightweight high strength aluminum. Finish shall be gray anodize. Uprights shall be removable type designed for use with below floor sleeves or above floor T-bases. Uprights shall be provided with adjustable high impact rubber foot to protect finished floors and to allow for additional precise net height adjustment. The uprights will have infinite net height adjustment between 6' to 8' to meet all age group height settings for both men and women.

The net tensioner shall incorporate a heavy duty, self-locking ratchet mechanism with a compression clutch brake type release. A high tensile nylon strap will be used with the winch to achieve required net tension.

Net features include 5/8" diameter fiberglass dowel and 4" square black nylon mesh (250-lbs tensile strength) for excellent performance and durability. Free floating net along 1/8" diameter steel 7 x 19 cable (1,760-lbs. Minimum breaking strength) allows for quick and easy centering of net about the court lines. Nylon straps with metallic clips are used to secure net in place. Net shall be 32' length and 39" width. Net perimeter shall have a 2" wide vinyl coated polyester hem that is double stitched. Net meets or exceeds all requirements for most levels of competition.

Upright safety pads shall be one single piece 72" in height. Padding shall be constructed with 1 1/2" thick cross-linked polyethylene closed cell foam covered with 14-ounce nylon reinforced vinyl. Attachment to uprights shall be with Velcro® straps. Standard Colors are: white, yellow, orange, red, kelly green, forest green, royal blue, marine blue, navy blue, gray, black, maroon, beige, and purple.

Net antenna shall be 3/8" diameter fiberglass rods 72" long with alternating red and white bands. Net tape shall be white nylon reinforced vinyl 2 1/2" wide with full-length pocket to accept the antenna. Attachment to net shall be full-length quick action Velcro® closures.

6448 & 6449 Folding Ref Stand and Padding

The folding ref stand shall be constructed of formed and welded 1.25" OD structural tubing with a powder coat finish. It shall fold for compact storage. It shall be padded with 1" thick foam covered in 14 ounce vinyl available in standard colors as listed above.

Subject to design change and current manufacturing practices.