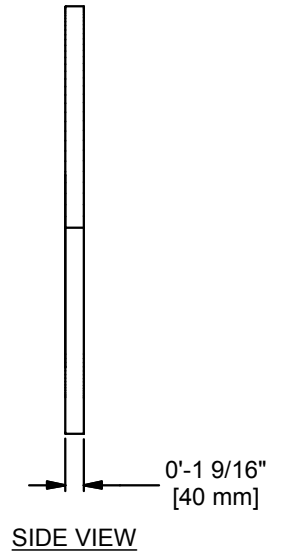
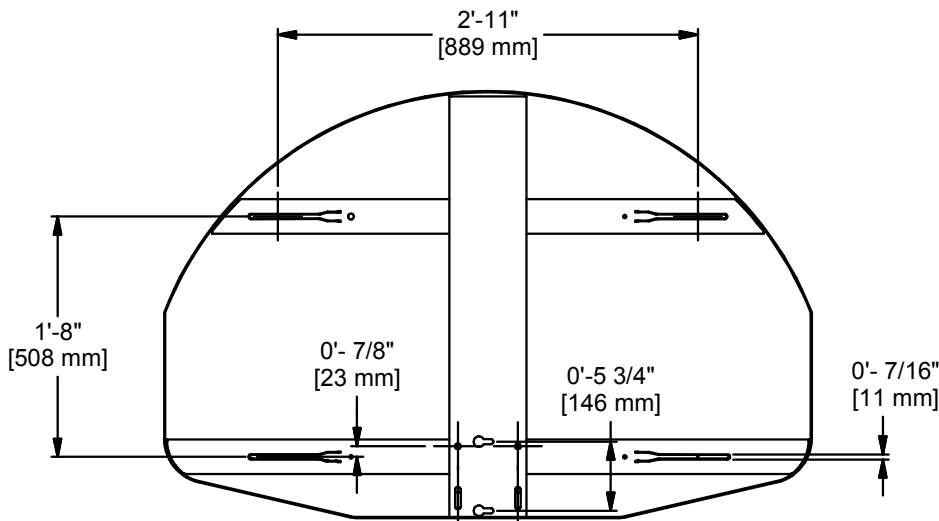


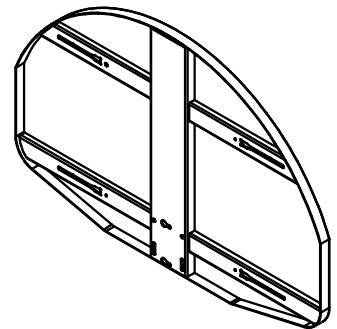
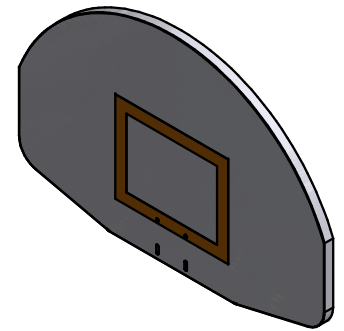
FRONT VIEW



SIDE VIEW



REAR VIEW



12 GA. STEEL STAMPED SHELL WITH 12 GA. FORMED HORIZONTAL MOUNTING CHANNELS AND A 10 GA. FORMED VERTICAL CHANNEL WELDED TO REVERSE SIDE.

BOARD IS POWDER COATED WHITE WITH ORANGE TARGET.



Gared Holdings, LLC
9200 E. 146th St. Noblesville, IN 46060

THIS DOCUMENT CONTAINS TRADE SECRET AND OTHER MATERIALS WHICH ARE PROTECTED BY CONFIDENTIALITY NOTICE AND AGREEMENT AND BY COPYRIGHT. ANY USE OR COPYING OF THIS DOCUMENT EXCEPT AS AUTHORIZED BY GARED HOLDINGS, LLC IS STRICTLY PROHIBITED.

FAN SHAPED STEEL BACKBOARD W/ TARGET

DRAWN	CROSBY	DATE	7/26/2019	DATE ISSUED
APPROVED		DATE		

FILE LOC. Q:\Inventor Files\Specification Files\07_Backboards

SIZE	SCALE	SHT. NO.	PART NO.	REV
A	NONE	1 OF 2	1245T	C

C	WDC	07-26-19
REV	BY	DATE



MODEL 1245T

35" X 54" FAN SHAPED STEEL BACKBOARD WITH WHITE W/ ORANGE TARGET FOR FRONT MOUNT GOALS

The 1245T backboard shall be formed from a single piece of heavy gauge steel and reinforced with a heavy gauge vertical center channel and heavy gauge horizontal channels. All reinforcing sections shall be welded to the shell to make a single vibration free unit. Key-slots in the horizontal channels shall be spaced at 20" vertical and 35" horizontal centers to match the standard fan mounting dimensions. Backboard shall be phosphate pre-treated and shall have a durable white powder coat finish to protect against weathering. Orange target shall be silk-screened on face of backboard for permanent markings. Goal mounting holes in rear channel shall be standard front mount, 5x5" or 5x4" patterns and shall accept all stationary front mount goals.

ACCESSORIES

GOALS

See Goal-Board Matrix specification sheet for goal compatibility.

Subject to design change and current manufacturing practices.