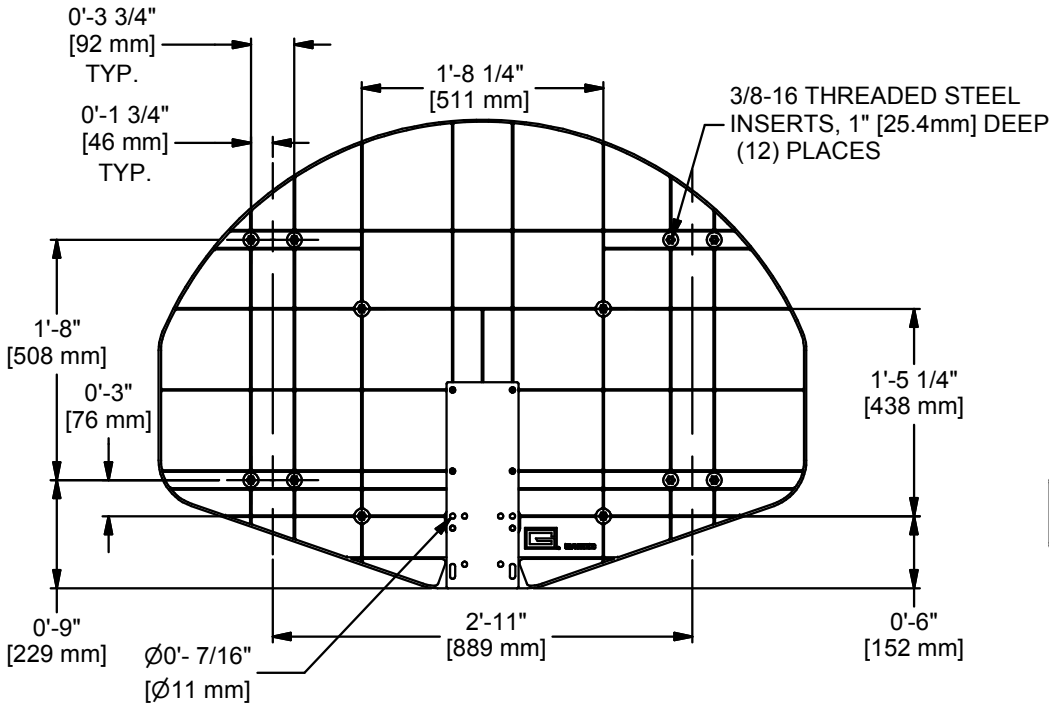
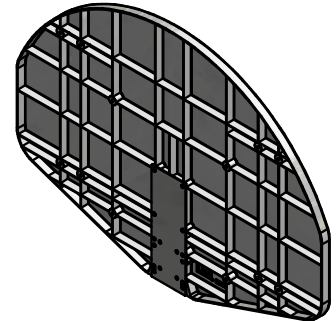
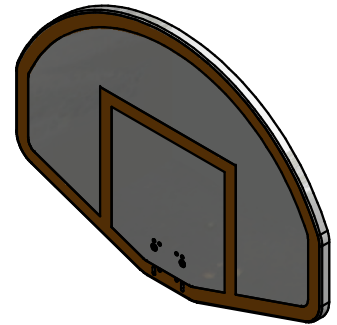


FRONT VIEW



REAR VIEW



BOARD TO BE FINISHED IN GLOSS WHITE WITH ORANGE TARGET AND BORDER

BACKBOARD WEIGHS 35 LBS. [15.88 Kg]



Gared Holdings, LLC
9200 E. 146th St. Noblesville, IN 46060

THIS DOCUMENT CONTAINS TRADE SECRET AND OTHER MATERIALS WHICH ARE PROTECTED BY CONFIDENTIALITY NOTICE AND AGREEMENT AND BY COPYRIGHT. ANY USE OR COPYING OF THIS DOCUMENT EXCEPT AS AUTHORIZED BY GARED HOLDINGS, LLC IS STRICTLY PROHIBITED.

FAN SHAPED MOLDED FIBERGLASS BACKBOARD

DRAWN CONNERLEY DATE 6/17/2008 DATE ISSUED

APPROVED DATE

FILE LOC. Q:\Inventor Files\Specification Files\07_Backboards

SIZE A	SCALE NONE	SHT. NO. 1 OF 2	PART NO. 1301B-R001	REV A
--------	------------	-----------------	---------------------	-------

A	JJC	11/13/17
REV	BY	DATE



MODEL 1301B- R001

**39" X 54" FAN SHAPED FIBERGLASS BACKBOARD
WITH BORDER AND TARGET**

The 1354B backboard shall be molded from fiberglass with a tensile strength of 8,900 to 11,700 PSI and shall have 23% to 27% fiberglass content by weight. All surfaces shall be high gloss white in color with orange border and target silk screened on face of bank for permanent markings.

Board shall have goal mounting holes shall be on 5" horizontal and 5" vertical centers and holes on 3" horizontal and 3" vertical centers to accommodate a variety of goals.

ACCESSORIES

GOALS

See Goal-Board Matrix specification sheet for goal compatibility.

Subject to design change and current manufacturing practices.