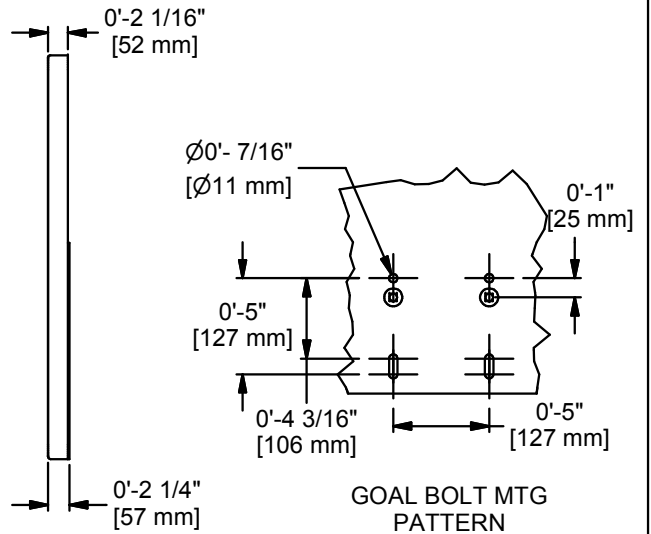
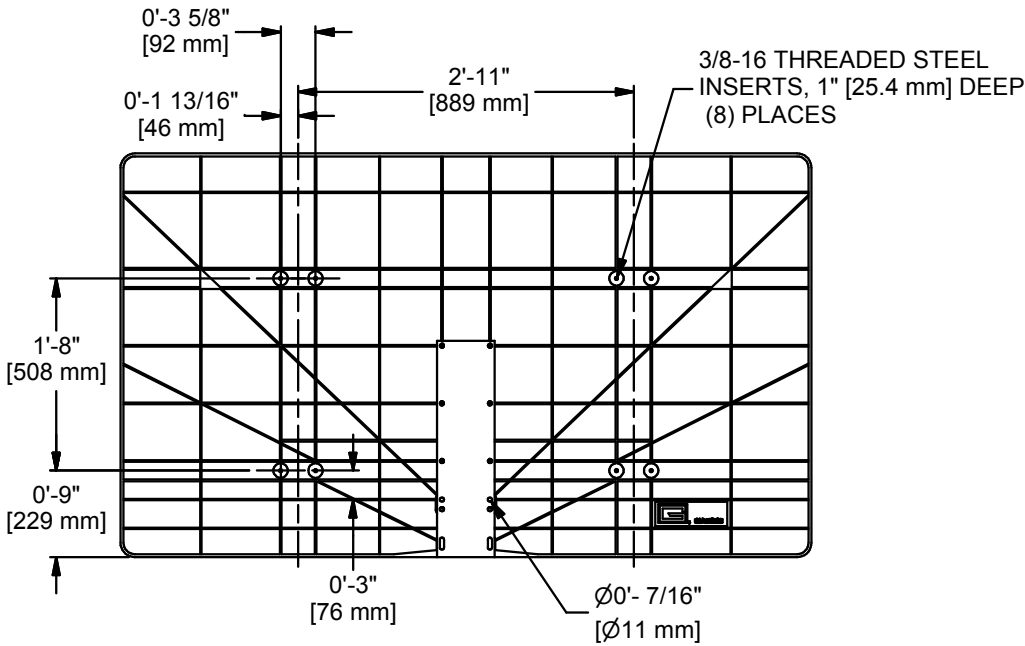


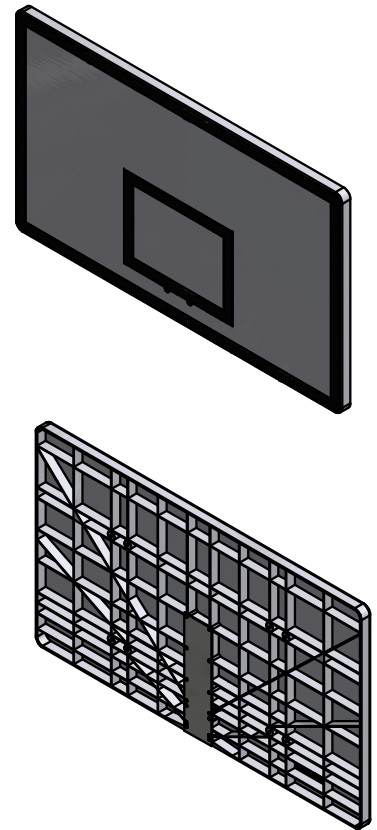
FRONT VIEW



GOAL BOLT MTG PATTERN



REAR VIEW



BOARD TO BE FINISHED IN GLOSS WHITE WITH BLACK TARGET AND BORDER.

BACKBOARD WEIGHS 86 LBS. [39.0 Kg]



Gared Holdings, LLC
9200 E. 146th St. Noblesville, IN 46060

THIS DOCUMENT CONTAINS TRADE SECRET AND OTHER MATERIALS WHICH ARE PROTECTED BY CONFIDENTIALITY NOTICE AND AGREEMENT AND BY COPYRIGHT. ANY USE OR COPYING OF THIS DOCUMENT EXCEPT AS AUTHORIZED BY GARED HOLDINGS, LLC IS STRICTLY PROHIBITED.

42"X72" RECT MOLDED BOARD, BLK BORDER

DRAWN	CROSBY	DATE	7/29/2019	DATE ISSUED
-------	--------	------	-----------	-------------

APPROVED	DATE
----------	------

FILE LOC. Q:\Inventor Files\Specification Files\07_Backboards

SIZE	SCALE	SHT. NO.	PART NO.	REV
A	NONE	1 OF 2	1342B-BLK	A

A	WDC	07-29-19
REV	BY	DATE



MODEL 1342B-BLK
42" X 72" RECTANGULAR FIBERGLASS BACKBOARD
WITH BLACK BORDER AND TARGET

The 1342B-BLK backboard shall be molded from fiberglass with a tensile strength of 8,900 to 11,700 PSI and shall have 23% to 27% fiberglass content by weight. All surfaces shall be high gloss white in color with black border and target silk screened on face of bank for permanent markings.

Board shall have goal mounting holes shall be on 5" horizontal and 5" vertical centers and holes on 5" horizontal and 4 ½" vertical centers to accommodate a variety of goals.

ACCESSORIES

GOALS

See Goal-Board Matrix specification sheet for goal compatibility.

Subject to design change and current manufacturing practices.