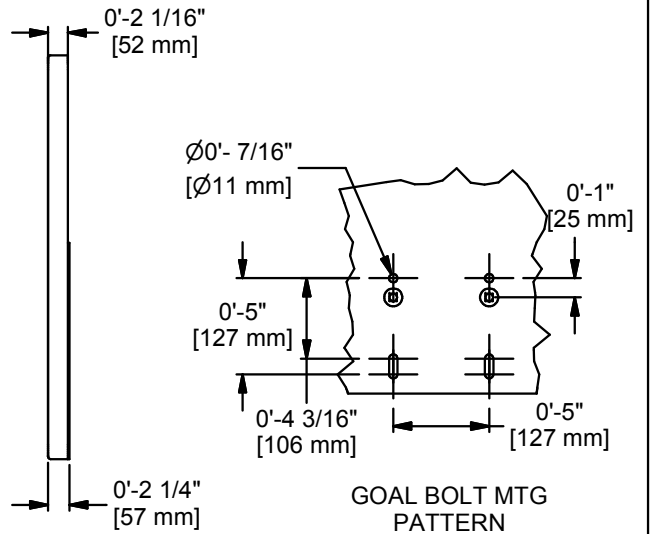
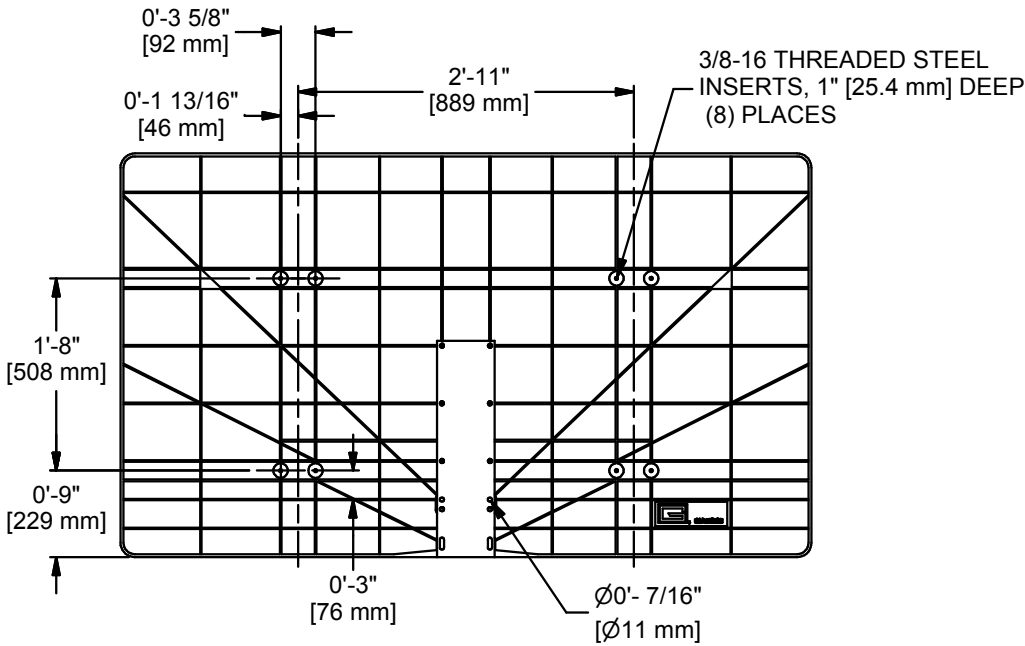


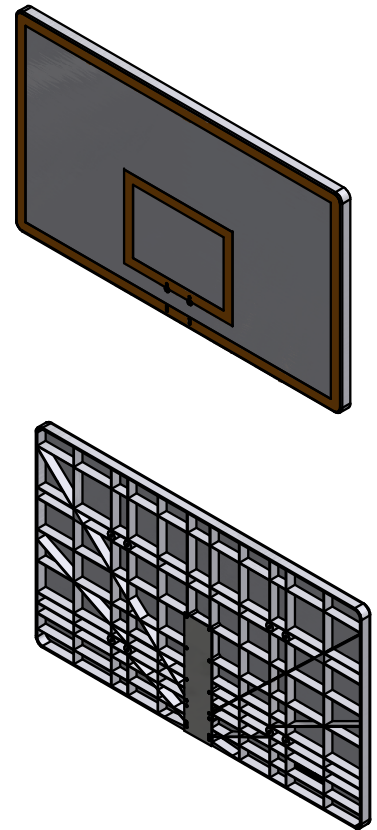
FRONT VIEW



GOAL BOLT MTG PATTERN



REAR VIEW



BOARD TO BE FINISHED IN GLOSS WHITE WITH ORANGE TARGET AND BORDER.

BACKBOARD WEIGHS 86 LBS. [39.0 Kg]

C	JJC	11/13/17
B	DWP	08/05/09
A	JJC	05/20/09
REV	BY	DATE



Gared Holdings, LLC
9200 E. 146th St. Noblesville, IN 46060

THIS DOCUMENT CONTAINS TRADE SECRET AND OTHER MATERIALS WHICH ARE PROTECTED BY CONFIDENTIALITY NOTICE AND AGREEMENT AND BY COPYRIGHT. ANY USE OR COPYING OF THIS DOCUMENT EXCEPT AS AUTHORIZED BY GARED HOLDINGS, LLC IS STRICTLY PROHIBITED.

42"X 72" RECT MOLDED BOARD, ORG BORDER

DRAWN CONNERLEY DATE 4/1/2009 DATE ISSUED

APPROVED DATE

FILE LOC. Q:\Inventor Files\Specification Files\07_Backboards

SIZE A	SCALE NONE	SHT. NO. 1 OF 2	PART NO. 1342B-R001	REV C
--------	------------	-----------------	---------------------	-------



MODEL 1342B
42" X 72" RECTANGULAR FIBERGLASS BACKBOARD
WITH BORDER AND TARGET

The 1342B backboard shall be molded from fiberglass with a tensile strength of 8,900 to 11,700 PSI and shall have 23% to 27% fiberglass content by weight. All surfaces shall be high gloss white in color with orange border and target silk screened on face of bank for permanent markings.

Board shall have goal mounting holes shall be on 5" horizontal and 5" vertical centers and holes on 5" horizontal and 4 ½" vertical centers to accommodate a variety of goals.

ACCESSORIES

GOALS

See Goal-Board Matrix specification sheet for goal compatibility.

Subject to design change and current manufacturing practices.