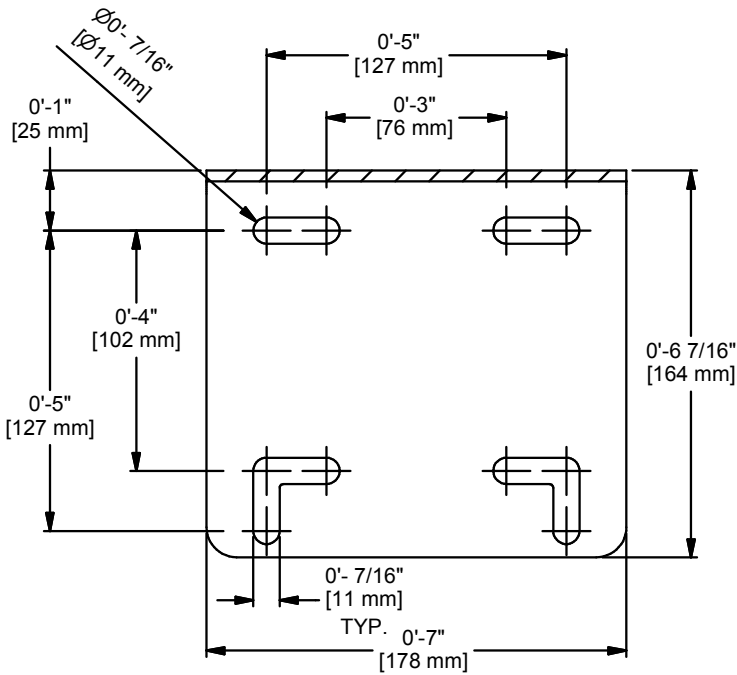


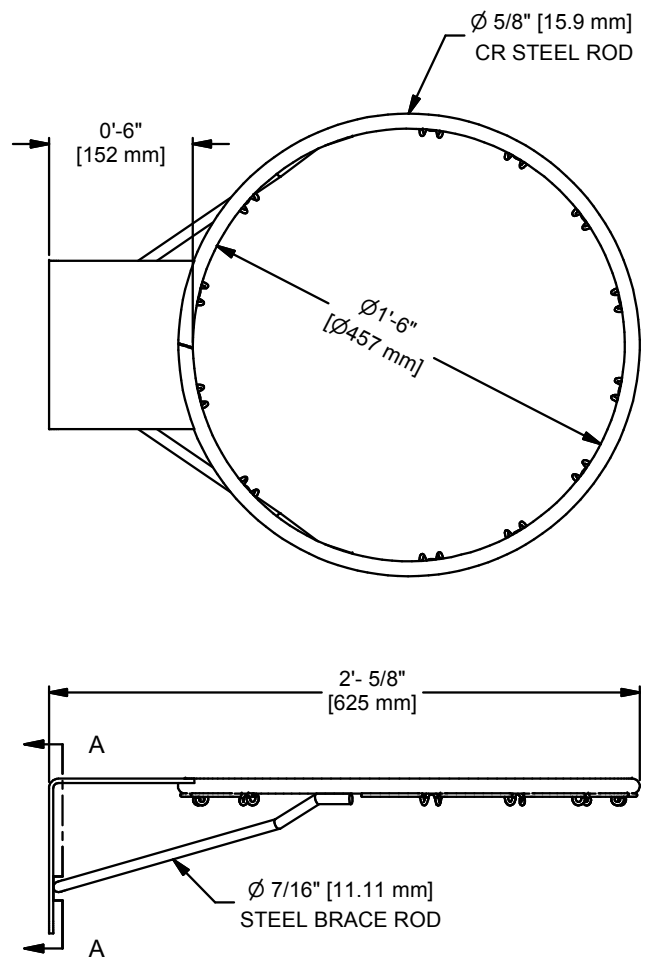
FINISH IS OFFICIAL ORANGE POWDER COAT

GOAL IS SUPPLIED WITH NYLON NET AND MOUNTING HARDWARE

GOAL WEIGHT 13 lbs [5.9 Kg]



SECTION A-A
MOUNTING PLATE VIEW



D	WDC	08-14-19
REV	BY	DATE



Gared Holdings, LLC
9200 E. 146th St. Noblesville, IN 46060

THIS DOCUMENT CONTAINS TRADE SECRET AND OTHER MATERIALS WHICH ARE PROTECTED BY CONFIDENTIALITY NOTICE AND AGREEMENT AND BY COPYRIGHT. ANY USE OR COPYING OF THIS DOCUMENT EXCEPT AS AUTHORIZED BY GARED HOLDINGS, LLC IS STRICTLY PROHIBITED.

HI STRENGTH UNIV GOAL, STATIONARY

DRAWN	CROSBY	DATE	8/14/2019	DATE ISSUED
APPROVED		DATE		

FILE LOC. Q:\Inventor Files\Specification Files\08_Goals

SIZE	SCALE	SHT. NO.	PART NO.	REV
A		1 OF 2	4039	D



MODEL 4039

HIGH STRENGTH STATIONARY FRONT MOUNT GOAL

The 4039 goal shall be constructed with an official sized 18" ring of 5/8" diameter with twelve no-tie net holders. Goal shall be made with high carbon/manganese materials for high strength. Back plate shall be 3/16" thick and 7" wide x 6" long. Brace shall be 7/16" diameter all welded construction.

Goal shall have a durable orange powder coated finish and come complete with nylon net and zinc plated mounting hardware. Universal goal mounting plate will fit hole patterns for most 42", 48", and fan backboards.

ACCESSORIES

BACKBOARDS

See Goal-Board Matrix specification sheet for board compatibility.

Subject to design change and current manufacturing practices.