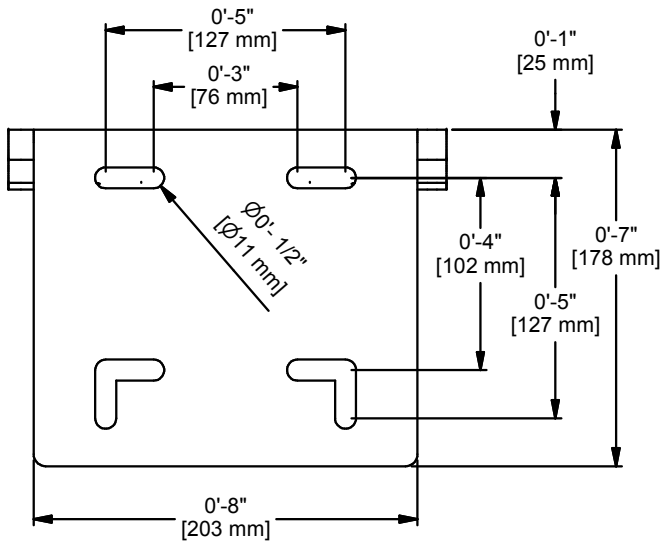
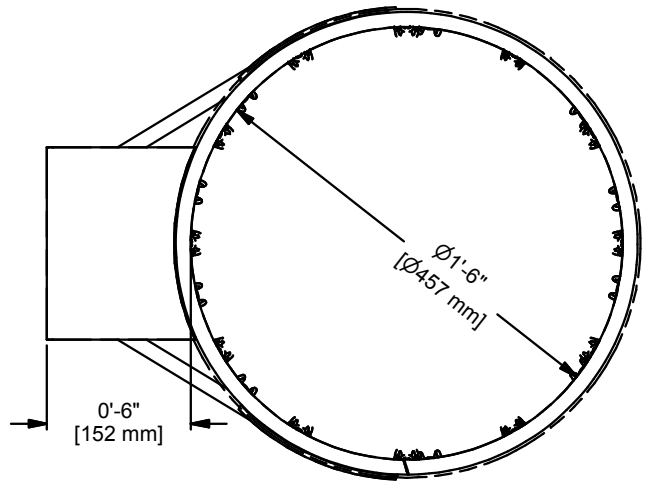


GOAL TESTED TO 1000 lbs [454 Kg] STATIC LOAD WHILE ATTACHED TO A SOLID COLUMN. GARED DOES NOT RECOMMEND HANGING FROM OR SUSPENDING WEIGHT FROM GOAL.

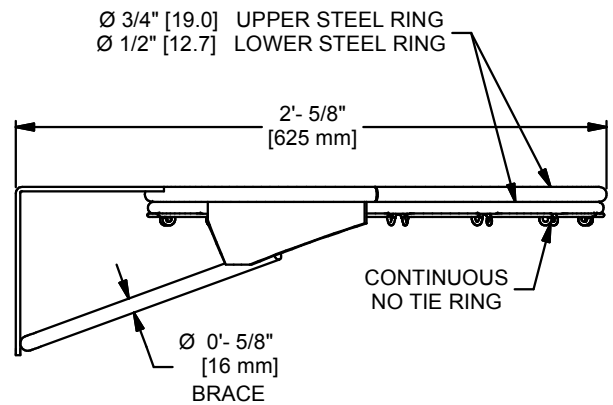
FINISH IS OFFICIAL ORANGE POWDER COAT

GOAL IS SUPPLIED WITH NYLON NET AND MOUNTING HARDWARE

SHIPPING WEIGHT 23 LB [10.5 Kg]



GOAL MOUNT VIEW



THIS DOCUMENT CONTAINS TRADE SECRET AND OTHER MATERIALS WHICH ARE PROTECTED BY CONFIDENTIALITY NOTICE AND AGREEMENT AND BY COPYRIGHT. ANY USE OR COPYING OF THIS DOCUMENT EXCEPT AS AUTHORIZED BY GARED HOLDINGS, LLC IS STRICTLY PROHIBITED.

TITAN PLAYGROUND SUPER GOAL W/GGN

DRAWN	CROSBY	DATE	10/2/2019	DATE ISSUED
APPROVED		DATE		

FILE LOC. Q:\Inventor Files\Specification Files\08_Goals

SIZE	SCALE	SHT. NO.	PART NO.	REV
A	NONE	1 OF 2	7550	C



Gared Holdings, LLC
9200 E. 146th St. Noblesville, IN 46060

C	WDC	10-02-19
REV	BY	DATE



MODEL 7550

EXTRA HEAVY STATIONARY FRONT MOUNT GOAL (Titan Playground Super Goal)

The 7550 goal shall be constructed with an official sized 18" ring of 3/4" diameter with an additional support ring of 1/2" diameter. A continuous no-tie ring with twelve net holders shall be welded to the lower support ring. Goal shall be made with high carbon/manganese materials for high strength. Back plate shall be 3/16" thick and 8" wide x 7" long. Brace shall be 5/8" diameter all welded construction and connected to the goal ring with the addition of a 3/16" thick web plate.

Goal shall have a durable orange powder coated finish and come complete with nylon net and zinc plated mounting hardware. Universal goal mounting plate will fit hole patterns for most 42", 48", and fan-shaped backboards.

ACCESSORIES

BACKBOARDS

See Goal-Board Matrix specification sheet for board compatibility.

Subject to design change and current manufacturing practices.