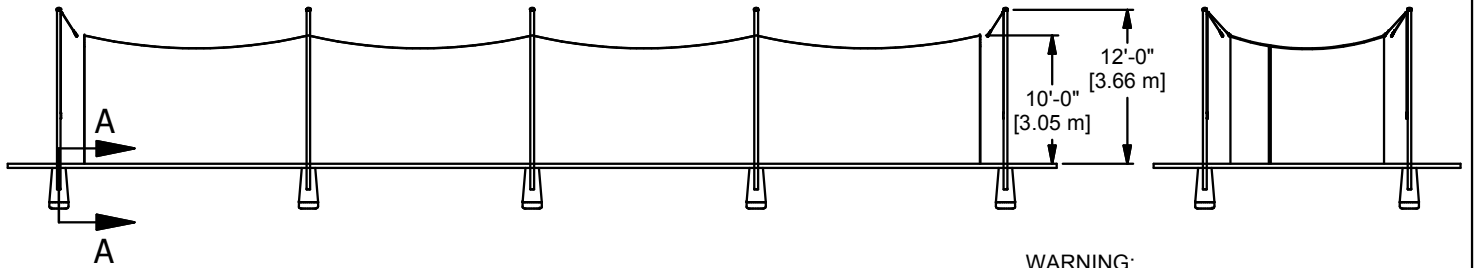
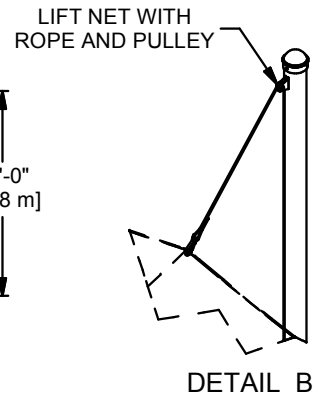
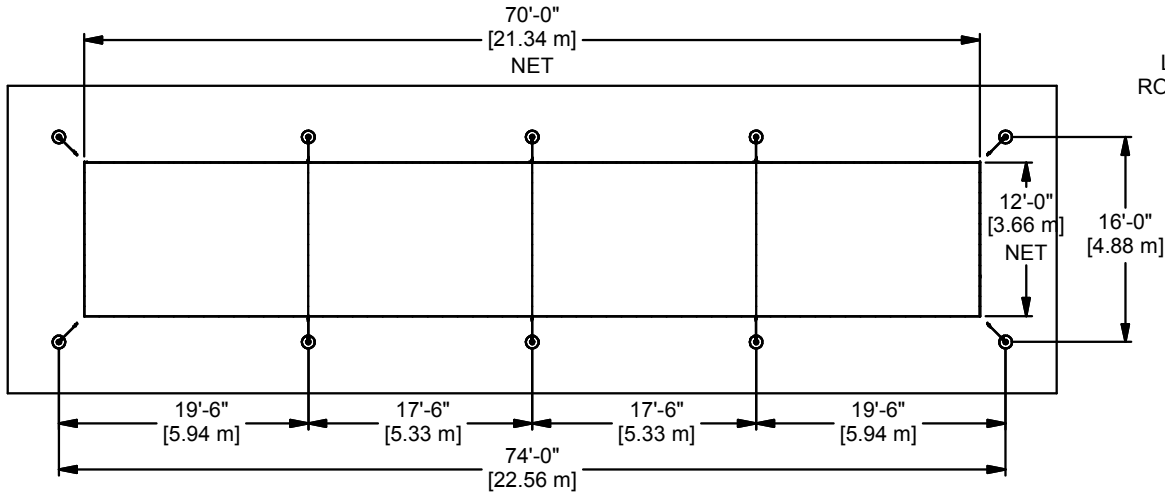
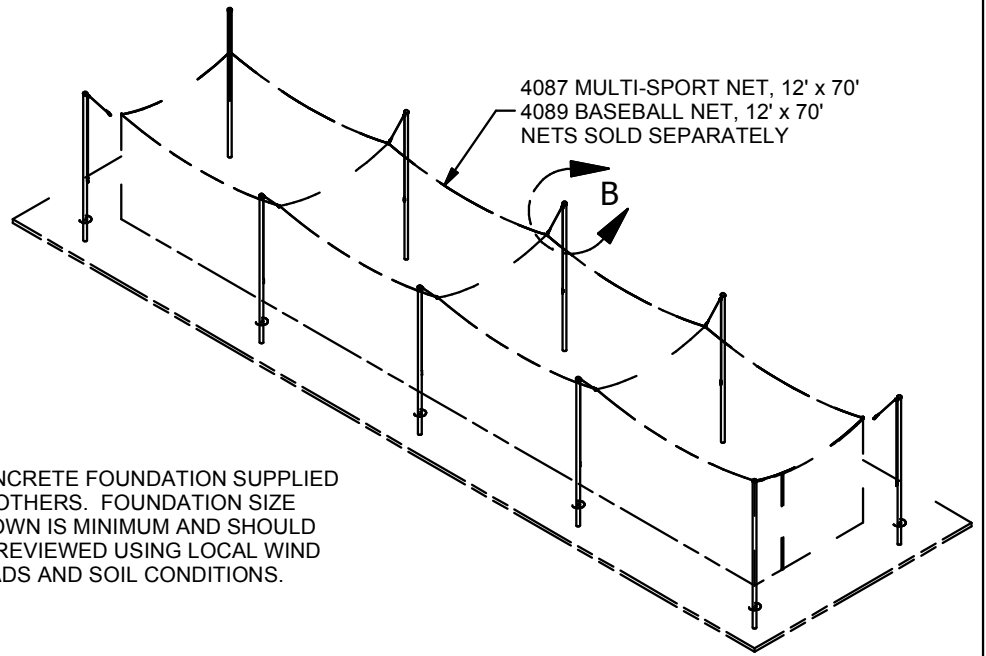


CONCRETE FOUNDATION SUPPLIED BY OTHERS. FOUNDATION SIZE SHOWN IS MINIMUM AND SHOULD BE REVIEWED USING LOCAL WIND LOADS AND SOIL CONDITIONS.



WARNING:
NETS MUST BE LOWERED IN HIGH WIND OR ICING WEATHER CONDITIONS.

| | | |
|-----|-----|----------|
| D | WDC | 05-20-20 |
| REV | BY | DATE |



Gared Holdings, LLC
9200 E. 146th St. Noblesville, IN 46060

THIS DOCUMENT CONTAINS TRADE SECRET AND OTHER MATERIALS WHICH ARE PROTECTED BY CONFIDENTIALITY NOTICE AND AGREEMENT AND BY COPYRIGHT. ANY USE OR COPYING OF THIS DOCUMENT EXCEPT AS AUTHORIZED BY GARED HOLDINGS, LLC IS STRICTLY PROHIBITED.

OUTDOOR CAGE, 3.5" ALUM

| | | | | |
|----------|--------|------|-----------|-------------|
| DRAWN | CROSBY | DATE | 5/20/2020 | DATE ISSUED |
| APPROVED | | DATE | | |

FILE LOC. Q:\Inventor Files\Specification Files\06_Outdoor Products

| | | | | |
|------|-------|----------|----------|-----|
| SIZE | SCALE | SHT. NO. | PART NO. | REV |
| A | | 1 OF 2 | 4085-70 | D |



MODEL 4085-70

OUTDOOR MULTI-SPORT CAGE, 3.5" ALUM

The model 4085-70 is designed to support a 12' [3.66 m] x 70' [21.37 m] outdoor multi-sport cage for use as an addition to any baseball field, practice facility, training camp or driving range.

CONSTRUCTION

Net shall be supported by (10) 3.5" [89 mm] diameter, 6061-T6 aluminum posts, 14' [4.27 m] long. Posts shall be equipped with a 1/4" [6.4 mm] rope and pulley to raise and lower net at each post location. Net may be lifted to a height of 10' [3.05 m] for play. Net ordered separately.

Posts shall be located approximately 2' [.61 m] from the edges of the net. Posts shall be capable of mounting permanently in reinforced concrete with a 2' [.61 m] embedment or may be sleeve mounted (sleeves supplied separately). Concrete foundation supplied by others.

ACCESSORIES

| | |
|-----------|---|
| 4087 | NETTING, MULTI-SPORT CAGE 12'x70' (1 1/8" MESH) |
| 4089 | NETTING, BATTING CAGE 12'x70' (1 3/4" MESH) |
| 401651320 | SLEEVE, 3.5" I.D. 2' LONG |
| 6826 | CAP, 3.5" OUTDOOR VOLLEYBALL SLEEVE |

WARNING:

NETS MUST BE LOWERED IN HIGH WIND OR ICING WEATHER CONDITIONS.