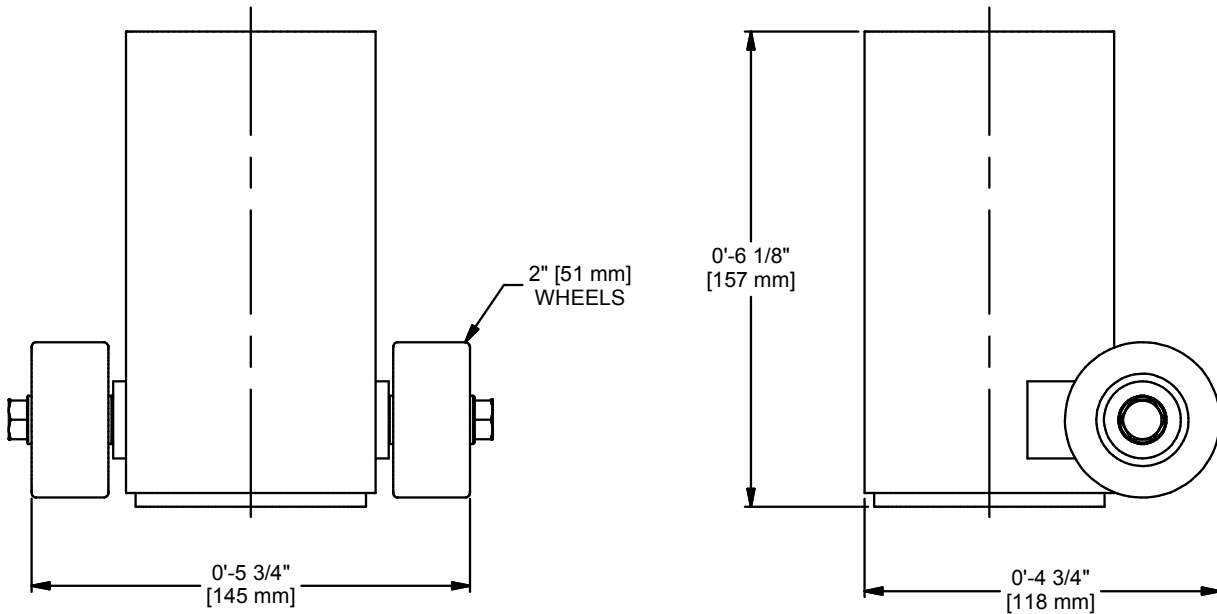
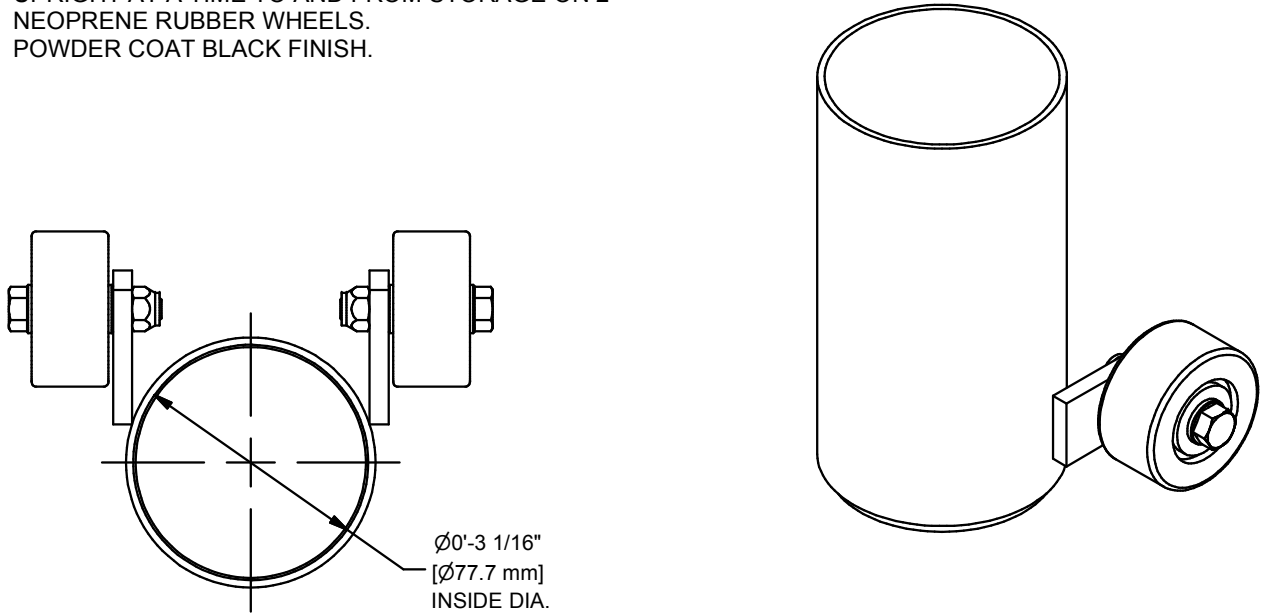


NOTES:

- ALLOWS FOR EASY PORTABILITY OF 3" [76 mm] DIAMETER VOLLEYBALL UPRIGHTS. COMPATIBLE WITH MODELS SERIES 5000, 5100, AND 5300.
- COMPACT STEEL CUP, TRANSPORTS ONE UPRIGHT AT A TIME TO AND FROM STORAGE ON 2" NEOPRENE RUBBER WHEELS.
- POWDER COAT BLACK FINISH.



A	WDC	06-24-20
REV	BY	DATE




GARED

Gared Holdings, LLC
 9200 E. 146th St. Noblesville, IN 46060

THIS DOCUMENT CONTAINS TRADE SECRET AND OTHER MATERIALS WHICH ARE PROTECTED BY CONFIDENTIALITY NOTICE AND AGREEMENT AND BY COPYRIGHT. ANY USE OR COPYING OF THIS DOCUMENT EXCEPT AS AUTHORIZED BY GARED HOLDINGS, LLC IS STRICTLY PROHIBITED.

3" VOLLEYBALL UPRIGHT TRANSPORTER

DRAWN	DKH	DATE	6/3/2009	DATE ISSUED	6/10/2009
APPROVED	DWP	DATE	6/10/2009		

FILE LOC. Q:\Inventor Files\Specifications\11_volleyball\6290

SIZE	SCALE	SHT. NO.	PART NO.	REV
A	NONE	1 OF 1	6290	A