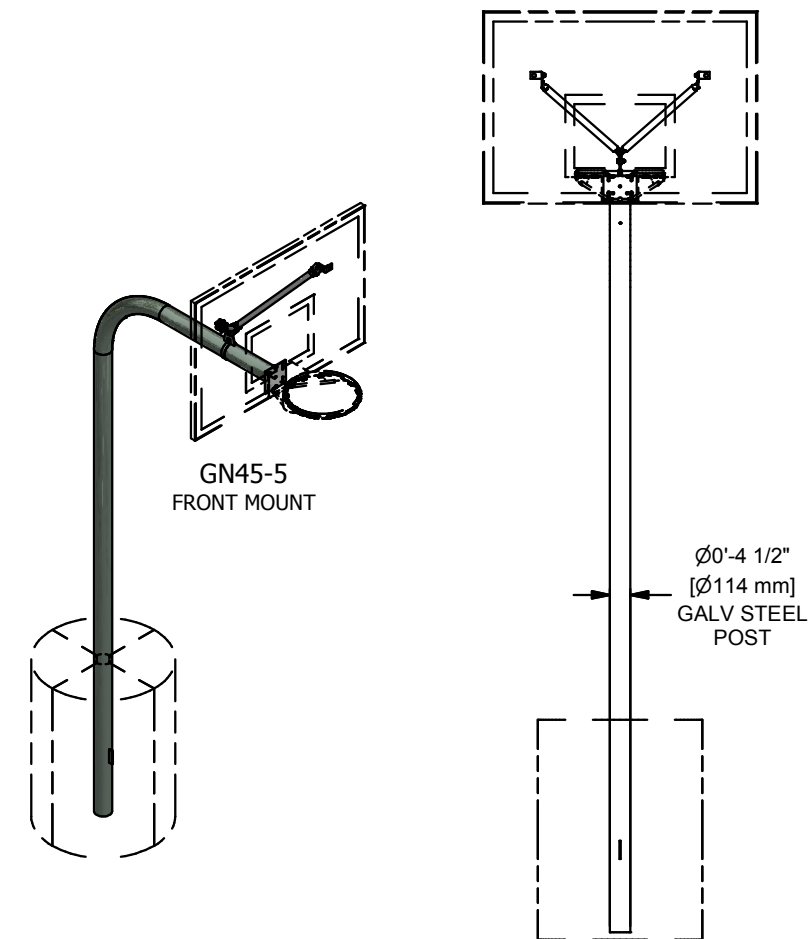
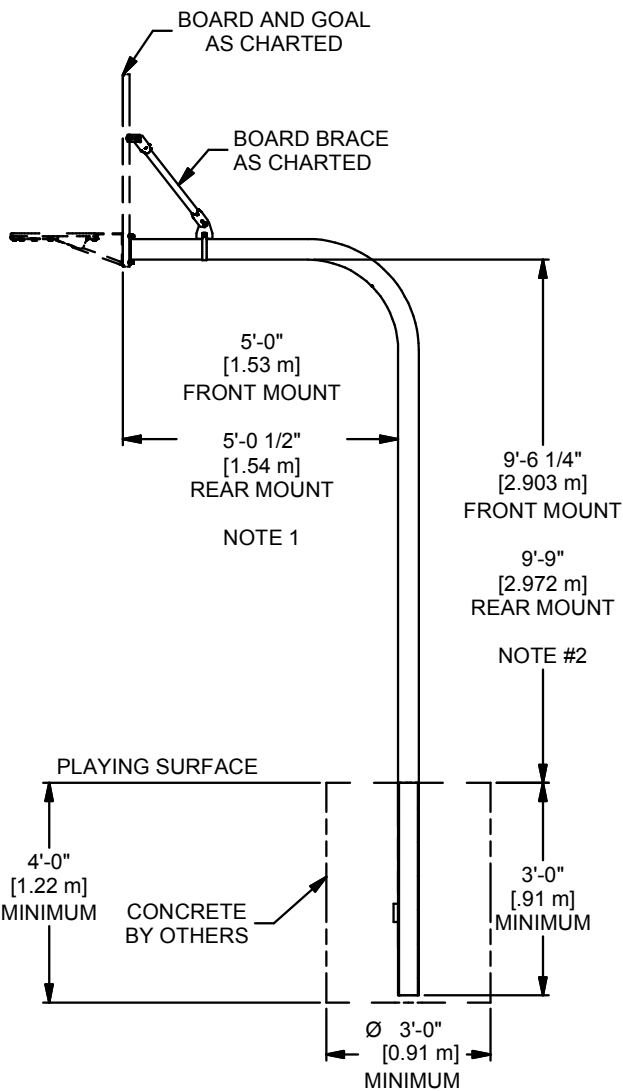


Package	Type	Board	Goal	Brace
GN45-5	Front	None	None	Yes*
GN45-5R	Rear	None	None	Yes*

* Braces are for "fan style" mounts only.

NOTES:

1. Dimension is from front surface of post to front face of backboard. Dimension may vary with board selection.
2. Dimension "B" is from underside of post arm surface to the playing surface.



B	WDC	06-01-20
A	WDC	09-11-17
REV	BY	DATE



Gared Holdings, LLC
9200 E. 146th St. Noblesville, IN 46060

THIS DOCUMENT CONTAINS TRADE SECRET AND OTHER MATERIALS WHICH ARE PROTECTED BY CONFIDENTIALITY NOTICE AND AGREEMENT AND BY COPYRIGHT. ANY USE OR COPYING OF THIS DOCUMENT EXCEPT AS AUTHORIZED BY GARED HOLDINGS, LLC IS STRICTLY PROHIBITED.

4 1/2" GOOSENECK SYSTEM, 5 FT EXT.

DRAWN	CONNERLEY	DATE	6/11/2010	DATE ISSUED	6/11/2010
APPROVED	CONNERLEY	DATE	6/11/2010		

FILE LOC. Q:\Inventor Files\Specification Files\06_Outdoor				
SIZE	SCALE	SHT. NO.	PART NO.	REV
A	NONE	1 OF 2	GN45-5	B



MODEL GN45-5 & GN45-5R

GOOSENECK OUTDOOR BASKETBALL SYSTEM W/ BRACES

GN45-5 / GN45-5R

This unit uses a gooseneck design to extend the backboard 60" out from the post. The post shall be 4 1/2" O.D. x 0.18" wall galvanized tube. The mounting plate is used as a direct goal attachment for the backboard. Two braces extending from the upper mounting points of the backboard to the gooseneck extension provide added rigidity to the system. The GN45-5 system can be used with all outdoor front mount and the GN45-5R system with rear mount boards and goals.

Post shall extend into the concrete footing at least 36". Concrete footing shall be 24" minimum in diameter and 48" minimum deep.

Concrete for installation not included.

MODEL GNA45-5 & GNA45-5R

GOOSENECK OUTDOOR BASKETBALL SYSTEM

GNA45-5 / GNA45-5R

This unit uses a gooseneck design to extend the backboard 60" out from the post. The post shall be 4 1/2" O.D. x 0.18" wall galvanized tube. The mounting plate is used as a direct goal attachment for the backboard. The GNA45-5 system can be used with all outdoor front mount and the GNA45-5R system with rear mount boards and goals.

Post shall extend into the concrete footing at least 36". Concrete footing shall be 24" minimum in diameter and 48" minimum deep.

Concrete for installation not included.

NOTE:

If board is greater than 36" wide, use the GN45-5 or GN45-5R model with board braces.

ACCESSORIES

PP4WR Wrap-Around Pole Pad