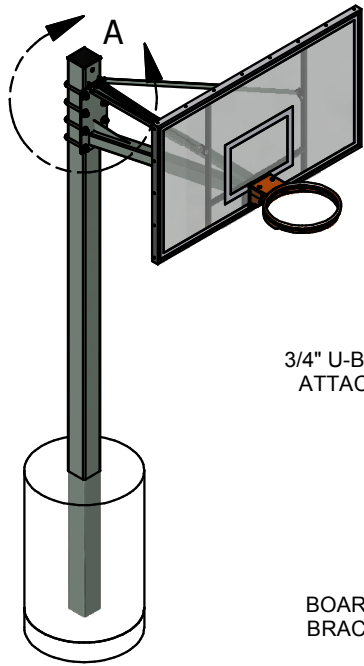
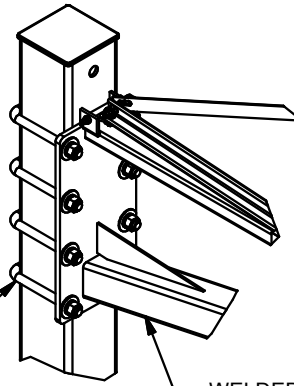


NOTES:

1. STEEL PARTS ARE BOTH GALVANIZED AND POWDER COATED BLACK. HARDWARE IS ZINC PLATED.
2. CONCRETE FOUNDATION SUPPLIED BY OTHERS. FOUNDATION SIZE SHOWN IS MINIMUM AND SHOULD BE REVIEWED USING LOCAL WIND LOADS AND SOIL CONDITIONS.

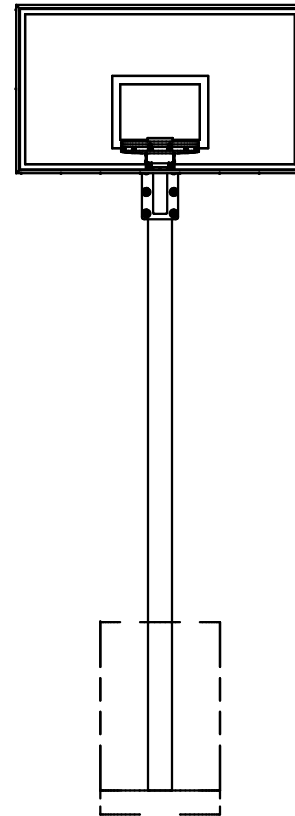
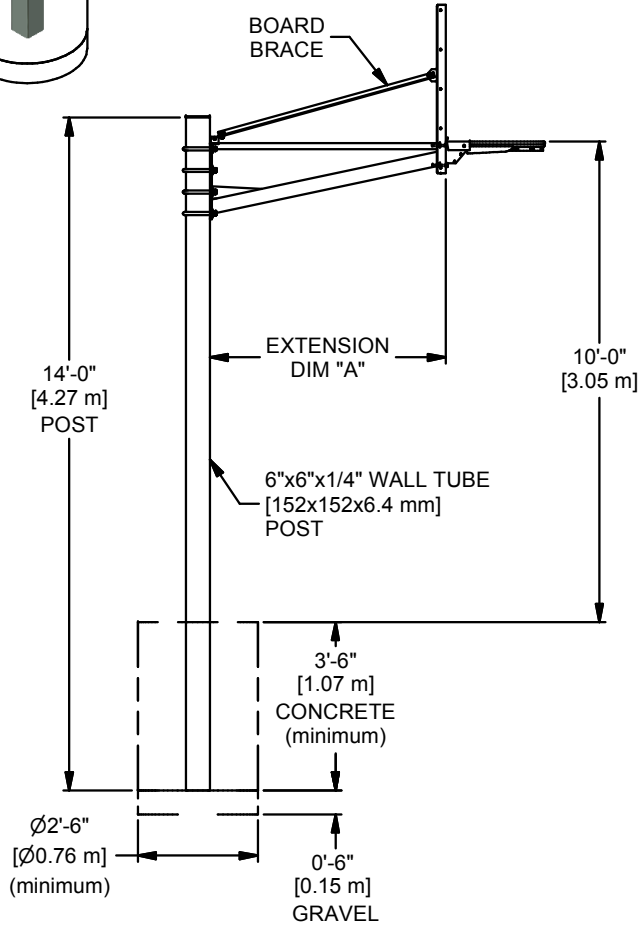


3/4" U-BOLT ARM ATTACHMENT



DETAIL A WELDED STEEL ARM EXTENSION

MODEL	Extension Dim "A"	
	inch	meter
GP104xxx	47	1.19
GP105xxx	59	1.50
GP106xxx	71	1.80
GP107xxx	83	2.11



Gared Holdings, LLC
9200 E. 146th St. Noblesville, IN 46060

THIS DOCUMENT CONTAINS TRADE SECRET AND OTHER MATERIALS WHICH ARE PROTECTED BY CONFIDENTIALITY NOTICE AND AGREEMENT AND BY COPYRIGHT. ANY USE OR COPYING OF THIS DOCUMENT EXCEPT AS AUTHORIZED BY GARED HOLDINGS, LLC IS STRICTLY PROHIBITED.

ENDURANCE PLAYGROUND BASKETBALL SYSTEM

DRAWN CROSBY DATE 4/29/2020 DATE ISSUED

APPROVED DATE

FILE LOC. Q:\Inventor Files\Specification Files\06_Outdoor Products

SIZE A	SCALE	SHT. NO. 1 OF 2	PART NO. GP100	REV D
------------------	-------	--------------------	--------------------------	-----------------

D	WDC	04-29-20
REV	BY	DATE



MODEL GP100

ENDURANCE® PLAYGROUND BASKETBALL SYSTEM

This unit is designed for use with regulation size aluminum frame glass, acrylic, polycarbonate or steel boards and breakaway or stationary goals. The post shall be 6" square with 1/4" wall, ASTM A500 GrB tubing. The extension arm is a triangular design using tubing welded to a heavy plate and connected to the vertical post with four 3/4" diameter "U" bolts. Two galvanized and powder coated braces, extending from the upper mounting points of the backboard to the vertical post and extension arm, provide added rigidity to the system. Post and extension arm is hot dip galvanized and then powder coated black for extended protection from corrosion.

System is available with a variety of backboards and four standard extension lengths. See below for appropriate extension, backboard and goal combination.

Model	Extension Arm	Backboard	Goal
GP104	48"	none	none
GP104S72	48"	1272B Steel	8550 Endurance Fixed
GP104S60	48"	1260B Steel	8550 Endurance Fixed
GP104P72	48"	1272P Perforated Steel	8550 Endurance Fixed
GP104P60	48"	1260P Perforated Steel	8550 Endurance Fixed
GP104G72	48"	BB72G50 Glass	8800 Endurance Breakaway
GP104G60	48"	BB60G38 Glass	8800 Endurance Breakaway
GP104A72	48"	BB72A38 Acrylic	8800 Endurance Breakaway
GP104A60	48"	BB60A38 Acrylic	8800 Endurance Breakaway
GP104PC72	48"	BB72P50 Polycarbonate	8800 Endurance Breakaway
GP105	60"	none	none
GP105S72	60"	1272B Steel	8550 Endurance Fixed
GP105S60	60"	1260B Steel	8550 Endurance Fixed
GP105P72	60"	1272P Perforated Steel	8550 Endurance Fixed
GP105P60	60"	1260P Perforated Steel	8550 Endurance Fixed
GP105G72	60"	BB72G50 Glass	8800 Endurance Breakaway
GP105G60	60"	BB60G38 Glass	8800 Endurance Breakaway
GP105A72	60"	BB72A38 Acrylic	8800 Endurance Breakaway
GP105A60	60"	BB60A38 Acrylic	8800 Endurance Breakaway
GP105PC72	48"	BB72P50 Polycarbonate	8800 Endurance Breakaway
GP106	72"	none	none
GP106S72	72"	1272B Steel	8550 Endurance Fixed
GP106S60	72"	1260B Steel	8550 Endurance Fixed
GP106P72	72"	1272P Perforated Steel	8550 Endurance Fixed
GP106P60	72"	1260P Perforated Steel	8550 Endurance Fixed
GP106G72	72"	BB72G50 Glass	8800 Endurance Breakaway
GP106G60	72"	BB60G38 Glass	8800 Endurance Breakaway
GP106A72	72"	BB72A38 Acrylic	8800 Endurance Breakaway
GP106A60	72"	BB60A38 Acrylic	8800 Endurance Breakaway
GP106PC72	48"	BB72P50 Polycarbonate	8800 Endurance Breakaway
GP107PC72	84"	BB72P50 Polycarbonate	8800 Endurance Breakaway

ACCESSORIES

PP6SQF Fitted Pole Pad, 6" Square

PP6WR Wrap-Around Pole Pad

Subject to design change and current manufacturing practices.

©2008 Gared Holdings, LLC