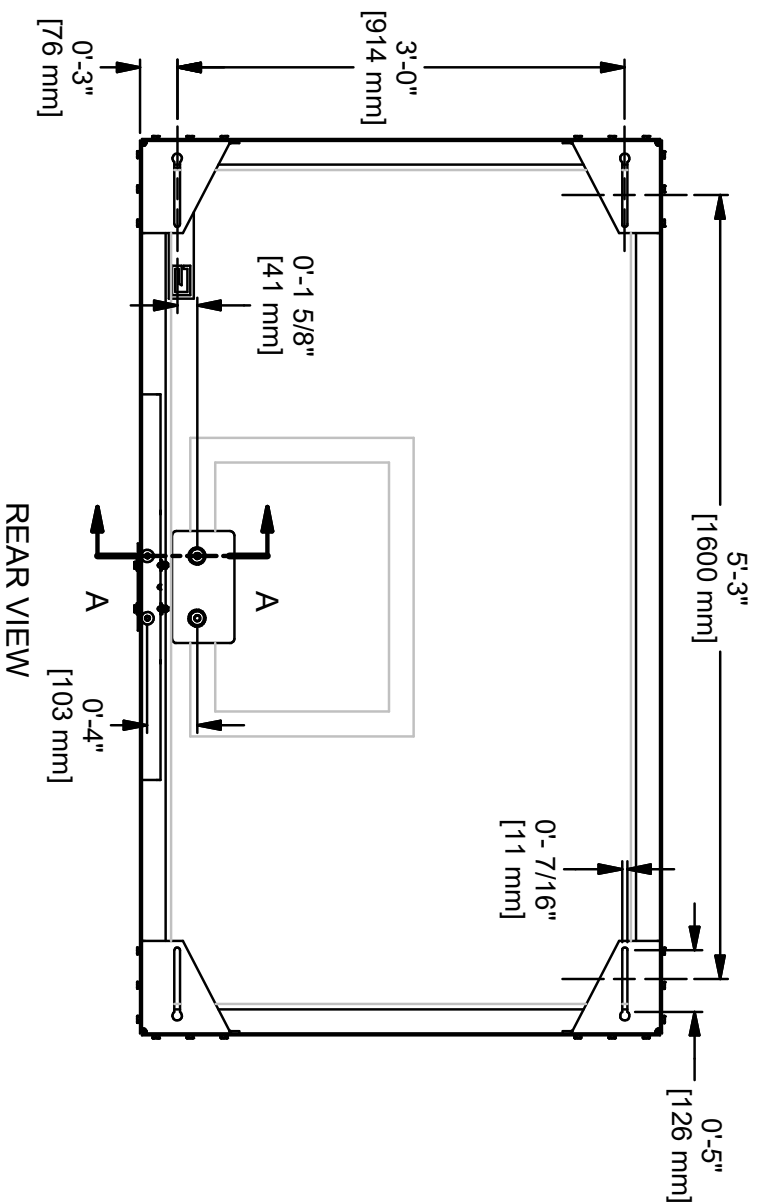
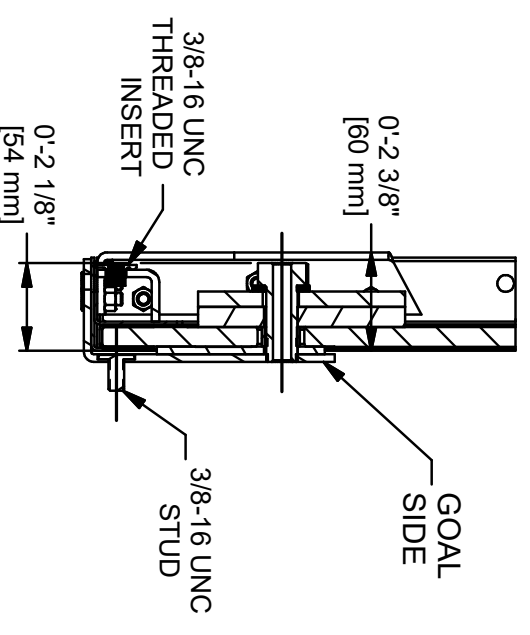


SIDE VIEW



REAR VIEW



SECTION A-A

MATERIAL IS 1/2" THICK TEMPERED GLASS WITH STEEL FRAME  
 FINISH IS GRAY POWDER COAT ON BRACKETS AND PLATES..

|     |     |          |
|-----|-----|----------|
| E   | MJP | 07/01/21 |
| D   | JJC | 11/15/17 |
| C   | RWP | 06/08/09 |
| B   | RWP | 06/06/08 |
| A   | JJC | 12/01/03 |
| REV | BY  | DATE     |



Gared Holdings, LLC  
 9200 E. 146th St.  
 Noblesville, IN 46060

|   |   |          |          |
|---|---|----------|----------|
| THIS DOCUMENT CONTAINS TRADE SECRET AND OTHER MATERIALS WHICH ARE PROTECTED BY CONFIDENTIALITY NOTICE AND AGREEMENT AND BY COPYRIGHT. ANY USE OR COPYING OF THIS DOCUMENT EXCEPT AS AUTHORIZED BY GARED HOLDINGS, LLC IS STRICTLY PROHIBITED. |   |          |          |
| <b>42" X 72" STEEL FRAME GLASS BACKBOARD</b>  |   |          |          |
| DRAWN   | CONNERLEY   | DATE     | 5/2/2003 |
| APPROVED  |   | DATE     |          |
| FILE LOC.   | Q:\Inventor Files\Specification Files\07_Backboards |          |          |
| SIZE  | SCALE   | SHT. NO. | PART NO. |
| A   | NONE  | 1 OF 2   | LXP4200  |
| REV   |   |          | E        |



### MODEL LXP4200

#### **STEEL FRAME 72" X 42" RECTANGULAR GLASS BACKBOARD**

The LXP4200 backboard shall be fabricated with steel frame constructed of formed steel angles, former and fastened together and connected with heavy gauge steel mounting plates to reinforce corners. The lower horizontal frame section shall have a tubular steel support brace for added strength. Manufacturer of backboard shall have over ten years of experience producing such item. Backboard shall meet NCAA and high school requirements.

Entire frame and components shall be powder coated with a durable neutral gray finish. Acrylic cushioning pad shall be used between steel mounting plate and glass to protect board against possible breakage.

Glass shall be 1/2" in thickness and fully tempered with white target lines permanently fused onto the surface. 12mm glass will not be considered equal to 1/2" glass, with a nominal thickness range of .485" to .515", and will not be used as a substitute for full 1/2" glass. Vinyl shock absorbing material insulates the glass from the frame. Goal mounting holes shall be on standard 5" horizontal and 4" vertical centers.

#### **ACCESSORIES**

See Goal-Board Matrix specification sheet for goal compatibility.

#### **GOALS**

Subject to design change and current manufacturing practices.

Rev E