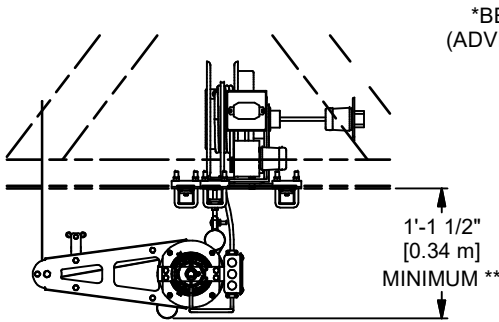
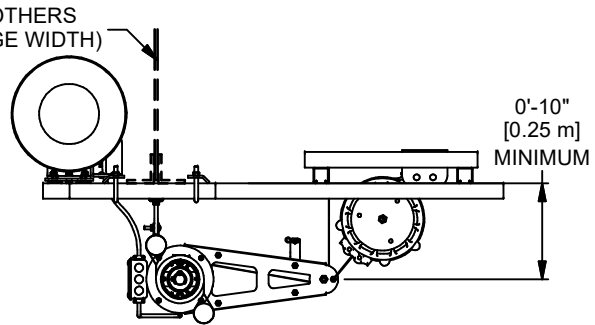


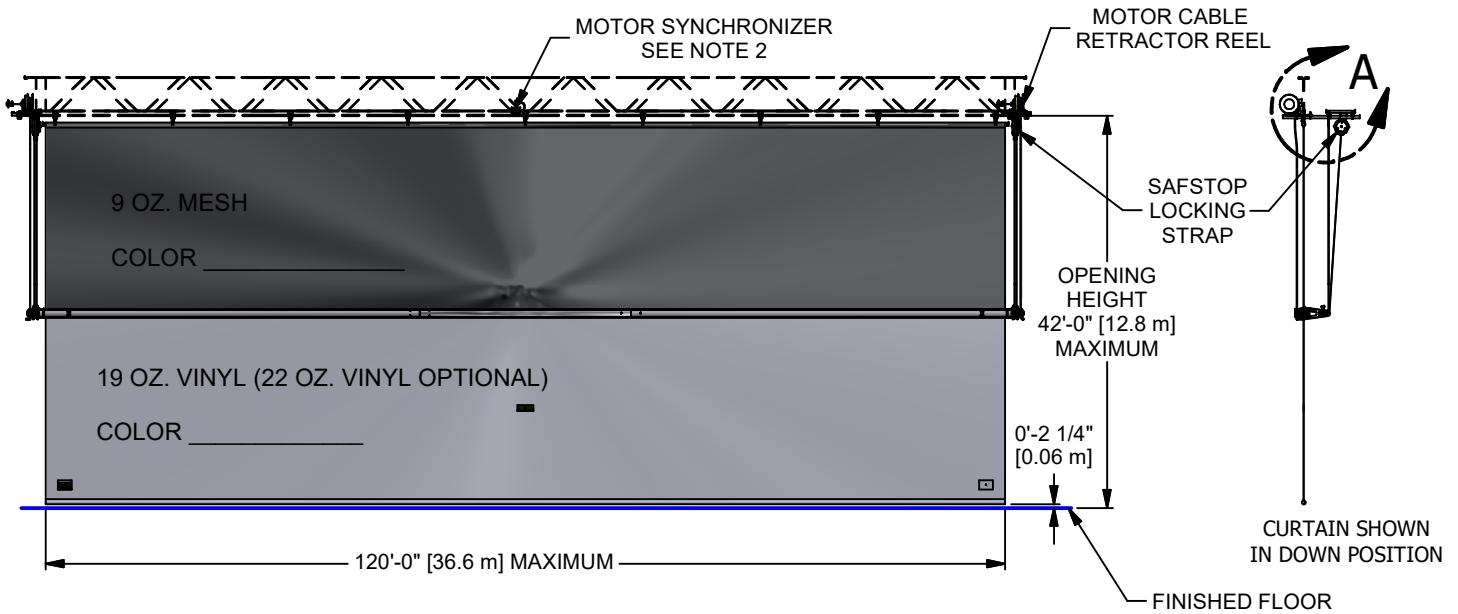
** MINIMUM DIMENSION IS DEPENDENT UPON ACTUAL BUILDING CONDITIONS.



VIEW A
BEAMS PERPENDICULAR TO CURTAIN
(SHOWN IN THE UP POSITION)



VIEW A
CURTAIN DIRECT ATTACH TO BEAM
(SHOWN IN THE UP POSITION)



FABRIC NOTES:

- 22 OZ. VINYL ONLY AVAILABLE IN RED, ROYAL BLUE OR GRAY.

CONSTRUCTION:

- 4" [101.6 mm] OD ALUMINUM DRIVE TUBE
- 1.9" [48.3 mm] O.D. UPPER BATTEN TUBES
- 1.66" [42.2 mm] O.D. LOWER BATTEN TUBES
- PADDED BOTTOM BATTEN POCKET
- CURTAIN DIMENSIONS MAY BE LIMITED BY MOTOR TORQUE.

ACCESSORIES

- SAFSTOP SAFETY LOCKING STRAPS ATTACHED TO ANTI-TORQUE ARMS STANDARD

MOTOR:

- (1) or (2) TUBULAR GEARMOTORS, 1062 IN-LB TORQUE EACH.
- 120VAC 1PH 60HZ 3.4A or 220VAC 1PH 50HZ 1.9A (each mtr).
- WITH BRAKE AND INTEGRAL LIMIT SWITCHES.
- WITH THERMAL OVERLOAD PROTECTION.

CONTROLS:

- KEY SWITCH INCLUDED. LOCATE SWITCH SO THAT OPERATOR HAS FULL VIEW OF CURTAIN AT ALL TIMES DURING OPERATION.
- SYNCHRONIZER INCLUDED WHEN (2) MOTOR ARE REQUIRED.

B	MJP	01/10/23
A	MJP	11/08/22
REV	BY	DATE



Gared Holdings, LLC
9200 E. 146th St. Noblesville, IN 46060

THIS DOCUMENT CONTAINS TRADE SECRET AND OTHER MATERIALS WHICH ARE PROTECTED BY CONFIDENTIALITY NOTICE AND AGREEMENT AND BY COPYRIGHT. ANY USE OR COPYING OF THIS DOCUMENT EXCEPT AS AUTHORIZED BY GARED HOLDINGS, LLC IS STRICTLY PROHIBITED.

CENTER DRIVE CURTAIN W/ANTI-TORQUE ARM

DRAWN	CONNERLEY	DATE	2/26/2020	DATE ISSUED
APPROVED		DATE		
FILE LOC. Q:\Inventor Files\Specification Files\10_Curtains				
SIZE	SCALE	SHT. NO.	PART NO.	REV
A	NONE	1 OF 5	4050	B



MODEL 4050

CENTER DRIVE DIVIDER CURTAIN

OVERHEAD STRUCTURE

The model 4050 gym curtain is supported from the roof structure by directly attaching to the roof truss, Uni-strut, Chain, or structural tubing supplied by Performance Sports Systems or Gared Sports. Bridge pipe may be required when truss spans exceed 14'. Superstructure shall be furnished with standard black powder coat finish. Optional colors are available

MATERIAL

The lower half of the curtain shall be solid 19 oz. polyester reinforced, fire retardant (meeting ASTM E-84 Class A rating with 25 Flame Spread and 450 Smoke Development as well as NFPA-701) and mildew resistant vinyl fabric. Seams shall be electronically welded with a full contact weld. A padded pocket shall be formed in bottom edge of curtain to accommodate a 1.90" O.D. bottom batten. The upper half of curtain shall be 9 oz. vinyl coated polyester mesh. A pocket of vinyl or mesh shall be formed in top edge of curtain to a 1.9" O.D. batten. Curtain shall stop 2" above finished floor.

DRIVE STRUCTURE

Curtains shall be operated by one or two internal tubular motor(s) (115 volt, 60 hertz, single phase or 220 volt, 50 hertz, single phase) depending on weight and length. Curtains operated by two motors shall be linked together and synchronized in operation. Each motor has a maximum torque of 1062 inch pounds with a speed of 12 rpm 60 hz or 12 rpm 50 hz. Each motor shall be equipped with integral up and down limit switches. Each asynchronous motor is maintenance free, permanently lubricated, features overheating protection and has sturdy electrical and mechanical design for long life. Motors shall feature electromagnetic disk brake for smooth and accurate stop without slippage. This feature allows full braking power in the event of power failure. Motors shall also feature three-stage planetary gear mechanism for extremely quiet and reliable use.

An anti-Torque arm with belt connected to the overhead structure controls the motor torque to allow the curtain to wind smoothly.

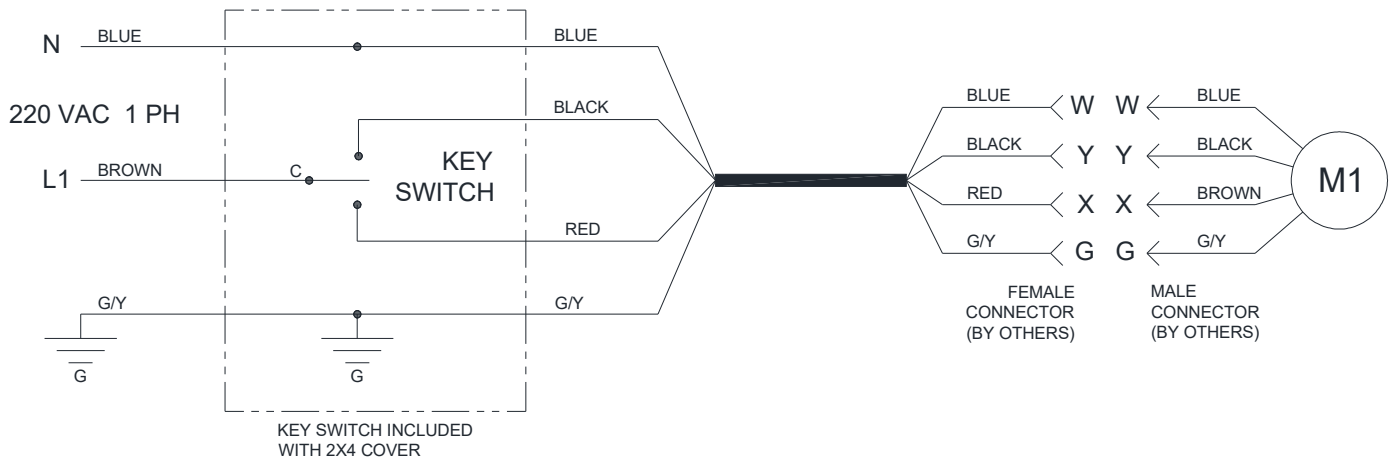
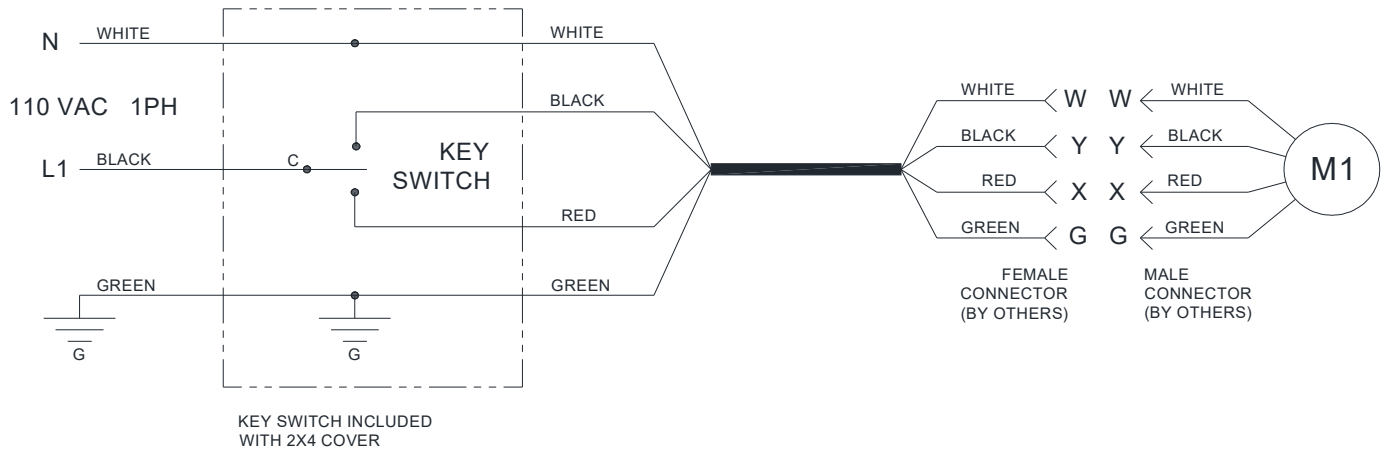
SAFSTOP safety locking straps are mounted to the building structure and attached to each anti-torque arm. The locking straps are included as standard equipment.

Drive tube shall be affixed in the center of the curtain and supported by the vinyl mesh by means of an integrated slot in the tube and a nylon cord sewn into the bottom of the mesh panel. The vinyl panel shall be attached to the drive tube by means of an integrated slot in the tube and a nylon cord sewn into the top of the vinyl panel.

Motors shall utilize a flush mounted keyed switch to raise and lower the divider curtain. Key switch shall be located so that curtain is in full view of authorized operator at all times. Optional methods of operation include a Wireless Remote-Control Operator, TSC1500, or TSC2000 Total System Control Keypad.

All electrical components to be located in overhead superstructure with the exception of the drive motors and the control switch. Curtains with (all) electrical components not located in overhead superstructure shall not be considered equal.

PSS or Gared Sports provides motor(s) with 6' cord, motor cable retractor reel(s), one (1) synchronizer control and one (1) key switch. Junction boxes shall be mounted within 6' of each motor. Electrical wiring for curtain must be on a dedicated circuit. **All wiring between the motor cable retractor reels and the synchronizer box, power wiring to the synchronizer, and all other electrical junction boxes to be furnished and installed by a certified electrical contractor. Follow manufacturer's instructions and all local codes.**



WIRING INFORMATION:

PROVIDED WITH (1) MOTOR W/ 6 FT OF CORD AND (1) KEYSWITCH.

ALL WIRING SUPPLIED BY OTHERS.

ALL OTHER ELECTRICAL AND JUNCTION, BOXES ARE TO BE FURNISHED AND INSTALLED BY A CERTIFIED ELECTRICAL CONTRACTOR, FOLLOWING ALL LOCAL CODES AND MANUFACTURE'S INSTRUCTIONS.

MOUNT JUNCTION BOXES WITHIN 6 FT. OF EACH MOTOR

ELECTRICAL WIRING FOR EACH CURTAIN MUST BE ON A DEDICATED ELECTRICAL CIRCUIT.

ELECTRICAL SPECIFICATIONS:

- DEDICATED 10A CIRCUIT BREAKER (by others)
- MOTOR: 115VAC +/- 10%, 1 PH, 60 HZ, 3.4A
- MOTOR: 220VAC +/- 10%, 1 PH, 50 HZ, 1.9A

MINIMUM KEY SWITCH BOX SIZE:

3" TALL x 2 1/4" W x 2 1/2" DEEP

B	MJP	01/10/23
A	MJP	11/08/22
REV	BY	DATE

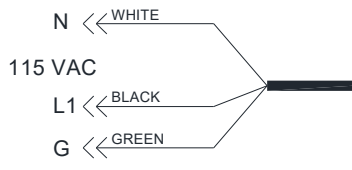


Gared Holdings, LLC
9200 E. 146th St. Noblesville, IN 46060

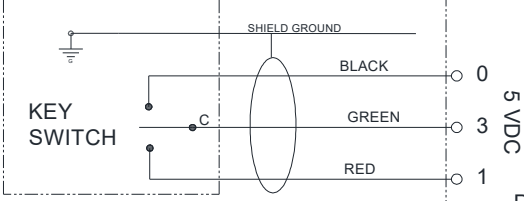
THIS DOCUMENT CONTAINS TRADE SECRET AND OTHER MATERIALS WHICH ARE PROTECTED BY CONFIDENTIALITY NOTICE AND AGREEMENT AND BY COPYRIGHT. ANY USE OR COPYING OF THIS DOCUMENT EXCEPT AS AUTHORIZED BY GARED HOLDINGS, LLC IS STRICTLY PROHIBITED.

4050 SCHEMATIC, SINGLE MOTOR

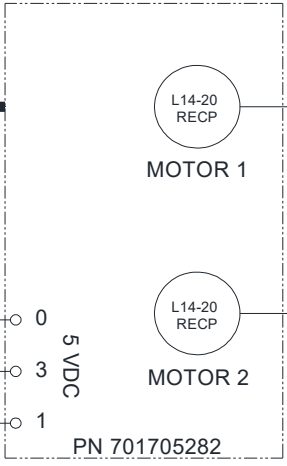
DRAWN	CONNERLEY	DATE	2/26/2020	DATE ISSUED
APPROVED		DATE		
FILE LOC. Q:\Inventor Files\Specification Files\10_Curtains				
SIZE	SCALE	SHT. NO.	PART NO.	REV
A	NONE	3 OF 5	4050	B



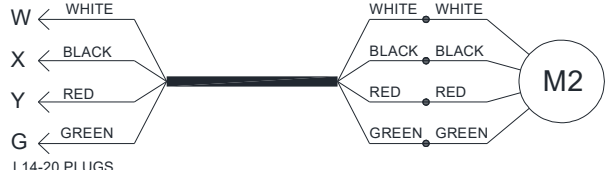
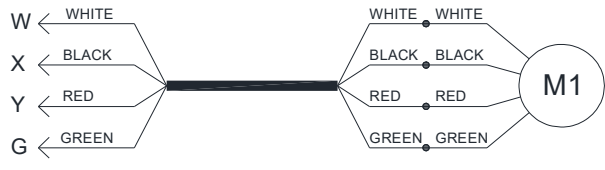
INCLUDES L5-15 PLUG W/ 6 FT POWER CORD
INCLUDES L5-15 RECEPTACLE AND 4X4 COVER



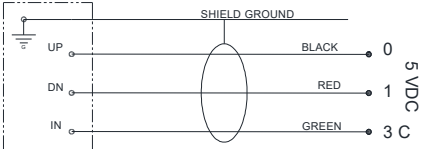
KEY SWITCH INCLUDED.
CUSTOMER SUPPLIED SHIELDED
WIRE. (Do not run with or near AC
power wires or devices)



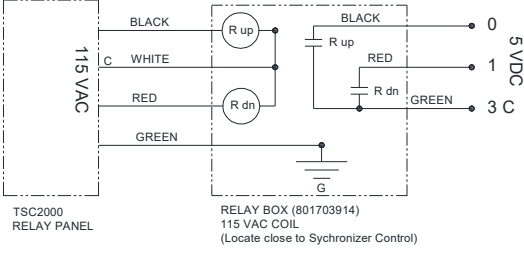
PN 701705282
SYNCHRONIZER MOTOR
CONTROL 115 VAC 1 PH



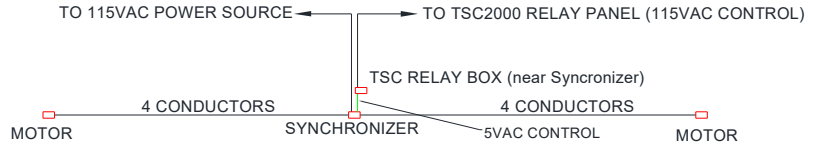
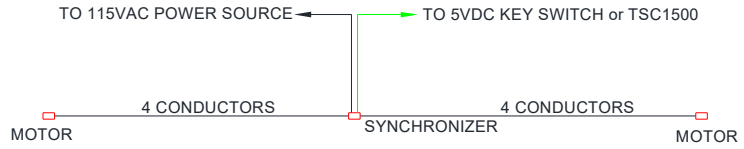
NOTE: MOTORS MUST ROTATE IN OPPOSITE
DIRECTIONS. POLARITY HAS BEEN REVERSED
IN THE SYNCHRONIZER.



WITH TSC1500 / X / XL WIFI OPTION
USED IN PLACE OF KEY SWITCH



WITH TSC2000 / X / XL OPTION.
USED IN PLACE OF KEY SWITCH



WIRING INFORMATION:

PROVIDED WITH (2) MOTORS W/ 6 FT OF CORD EACH,
(1) SYNCHRONIZER CONTROL, AND (1) KEYSWITCH.

ALL WIRING (BY OTHERS) MUST BE SUPPLIED TO
BOTH MOTORS AT EACH END OF CURTAIN FROM
SYNCHRONIZER UNITS.

ALL OTHER ELECTRICAL, JUNCTION, AND SYNCHRONIZER
BOXES ARE TO BE FURNISHED AND INSTALLED BY A
CERTIFIED ELECTRICAL CONTRACTOR, FOLLOWING
ALL LOCAL CODES AND MANUFACTURE'S INSTRUCTIONS.

MOUNT JUNCTION BOXES WITHIN 6 FT. OF EACH MOTOR

ELECTRICAL WIRING FOR EACH CURTAIN MUST BE ON A
DEDICATED ELECTRICAL CIRCUIT.

ELECTRICAL SPECIFICATIONS:

- DEDICATED 15A CIRCUIT BREAKER (by others)
- MOTOR: 115VAC +/- 10%, 1 PH, 60 HZ, 6.8 A (3.4A per motor)

SYNCHRONIZER BOX:
7 1/2" L x 4" W x 3" DEEP

MINIMUM KEY SWITCH BOX SIZE:
3" TALL x 2 1/4" W x 2 1/2" DEEP

B	MJP	01/10/23
A	MJP	11/08/22
REV	BY	DATE



Gared Holdings, LLC
9200 E. 146th St. Noblesville, IN 46060

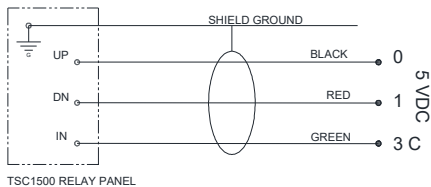
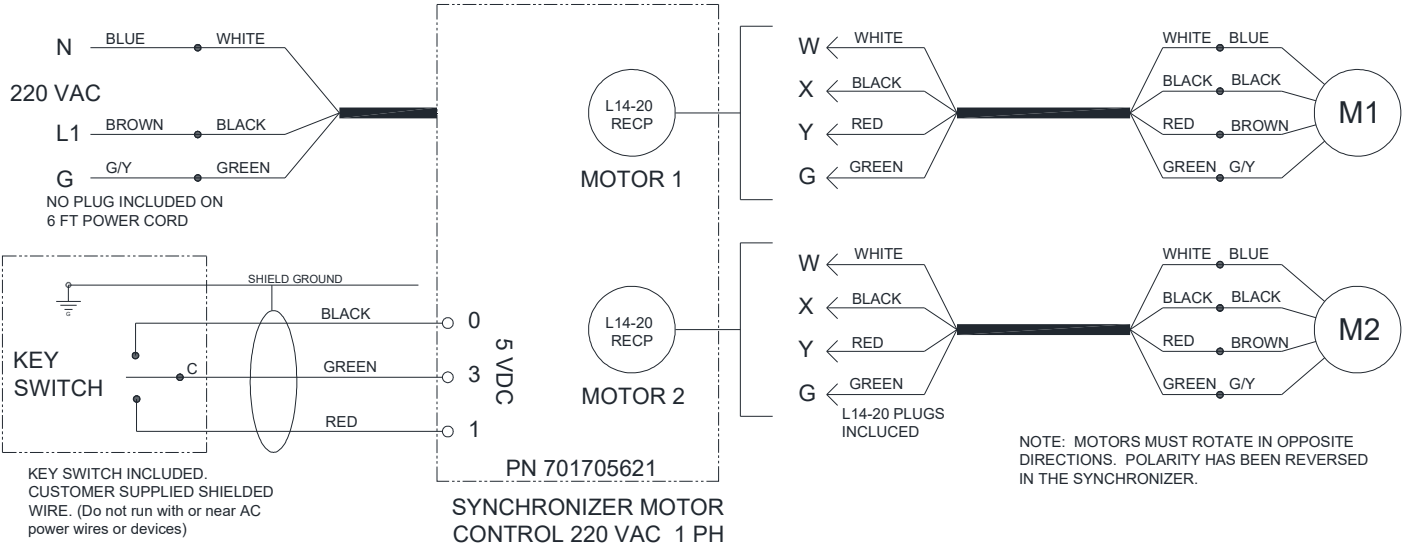
THIS DOCUMENT CONTAINS TRADE SECRET AND OTHER MATERIALS WHICH ARE PROTECTED BY CONFIDENTIALITY NOTICE AND AGREEMENT AND BY COPYRIGHT. ANY USE OR COPYING OF THIS DOCUMENT EXCEPT AS AUTHORIZED BY GARED HOLDINGS, LLC IS STRICTLY PROHIBITED.

4050 SCHEMATIC, DUAL 120V 1PH 60HZ

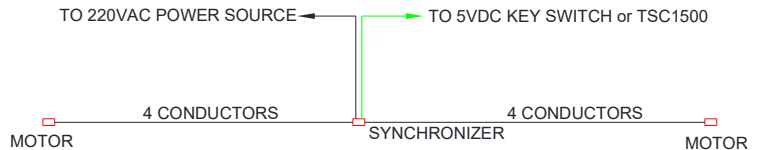
DRAWN	CONNERLEY	DATE	2/26/2020	DATE ISSUED
APPROVED		DATE		

FILE LOC. Q:\Inventor Files\Specification Files\10_Curtains

SIZE	SCALE	SHT. NO.	PART NO.	REV
A	NONE	4 OF 5	4050	B



WITH TSC1500 / X / XL WIFI OPTION USED IN PLACE OF KEY SWITCH



WIRING INFORMATION:

PROVIDED WITH (2) MOTORS W/ 6 FT OF CORD EACH, (1) SYNCHRONIZER CONTROL, AND (1) KEYSWITCH.

ALL WIRING (BY OTHERS) MUST BE SUPPLIED TO BOTH MOTORS AT EACH END OF CURTAIN FROM SYNCHRONIZER UNITS.

ALL OTHER ELECTRICAL, JUNCTION, AND SYNCHRONIZER BOXES ARE TO BE FURNISHED AND INSTALLED BY A CERTIFIED ELECTRICAL CONTRACTOR, FOLLOWING ALL LOCAL CODES AND MANUFACTURE'S INSTRUCTIONS.

MOUNT JUNCTION BOXES WITHIN 6 FT. OF EACH MOTOR

ELECTRICAL WIRING FOR CURTAIN MUST BE ON A DEDICATED ELECTRICAL CIRCUIT.

ELECTRICAL SPECIFICATIONS:

- DEDICATED 10A CIRCUIT BREAKER (by others)
- MOTOR: 220VAC +/- 10%, 1 PH, 50 HZ, 3.8 A (1.9 A per motor)

SYNCHRONIZER BOX:

7 1/2" L x 4" W x 3" DEEP

MINIMUM KEY SWITCH BOX SIZE:

3" TALL x 2 1/4" W x 2 1/2" DEEP

B	MJP	01/10/23
A	MJP	11/08/22
REV	BY	DATE

PSS
PERFORMANCE
SPORTS SYSTEMS

G
GARED™

Gared Holdings, LLC
9200 E. 146th St. Noblesville, IN 46060

THIS DOCUMENT CONTAINS TRADE SECRET AND OTHER MATERIALS WHICH ARE PROTECTED BY CONFIDENTIALITY NOTICE AND AGREEMENT AND BY COPYRIGHT. ANY USE OR COPYING OF THIS DOCUMENT EXCEPT AS AUTHORIZED BY GARED HOLDINGS, LLC IS STRICTLY PROHIBITED.			
4050 SCHEMATIC, DUAL 220V 1PH 50HZ			
DRAWN CONNERLEY	DATE 2/26/2020	DATE ISSUED	
APPROVED	DATE		
FILE LOC. Q:\Inventor Files\Specification Files\10_Curtains			
SIZE A	SCALE NONE	SHT. NO. 5 OF 5	PART NO. 4050
			REV B