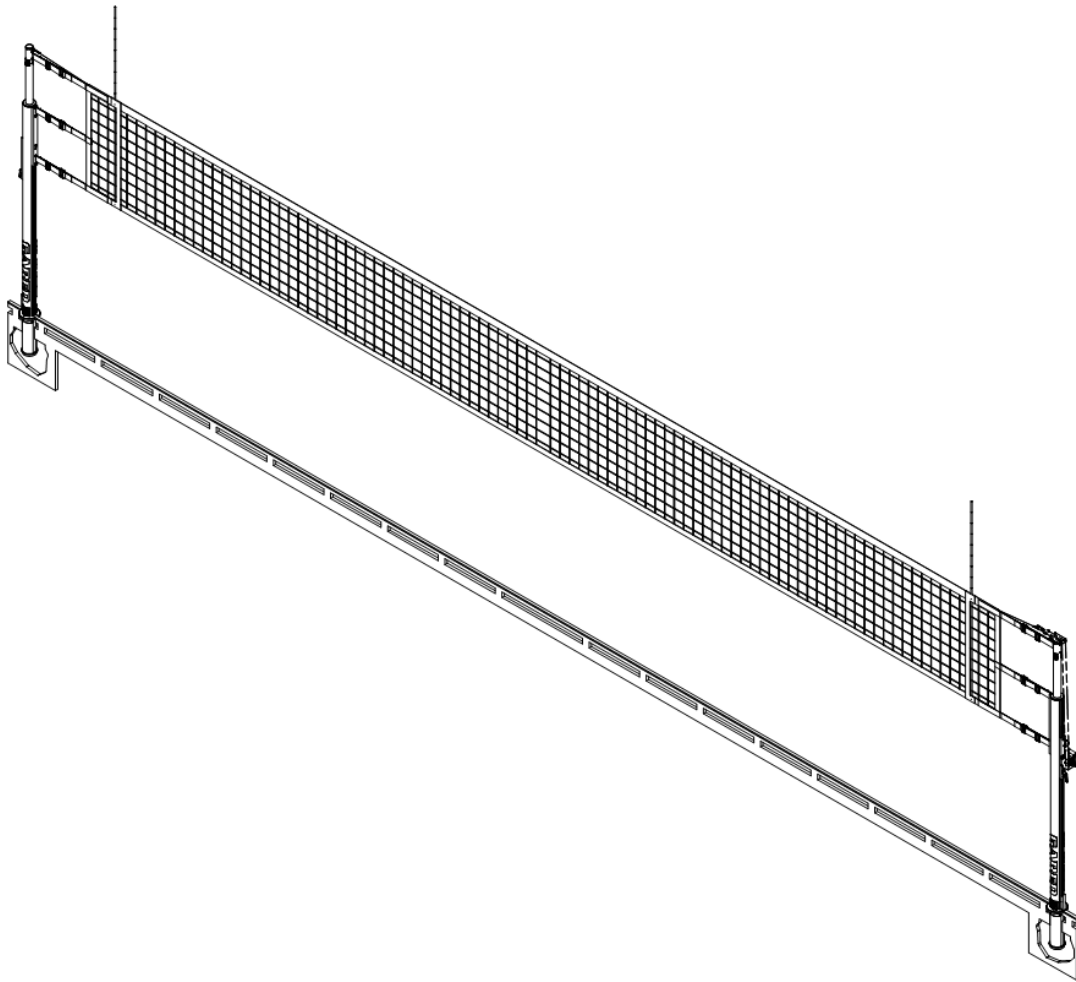




Model: 7300 series
Master Volleyball System



Installation, Operation, and Maintenance Instructions

.....
Please read all instructions before attempting installation or operation of these units
.....

SAVE THESE INSTRUCTIONS FOR FUTURE USE



7300 Master Volleyball System



Table of Contents

| <u>Section</u> | <u>Page No.</u> |
|--------------------------------------|------------------------|
| Introduction | 2 |
| Parts List by Sub-Assembly | 2-3 |
| Specifications | 4-5 |
| Floor Sleeve Installation | 6-8 |
| Floor Cover Installation | 9 |
| Post & Net Installation Instructions | 10-12 |
| Maintenance Check Sheet | 13 |



7300 Master Volleyball System



Introduction

Thank you for your purchase of a model 7300 Master Volleyball System. To ensure that our equipment will provide years of use to you, we are including this installation, operation, and maintenance guide. This guide will provide information on the proper assembly and installation methods, operating procedures, and preventative maintenance of your portable backstop.

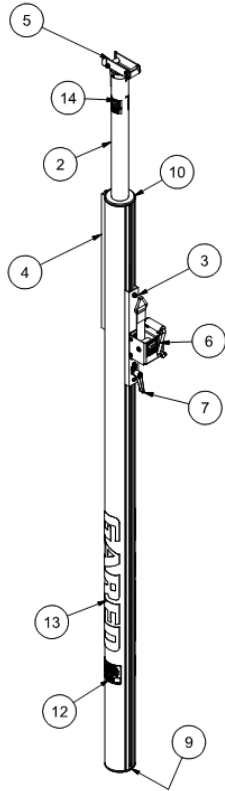
Please note that a Bill of Materials is being included with this guide. Please check that all of the parts called out on the Bill of Materials are present prior to beginning assembly and setup. Please do not substitute for factory parts. Please contact the PSS or Gared Sports customer service department and allow them to determine if substitute parts are acceptable.

It is recommended that an individual who has been properly trained perform assembly and set up of the volleyball system. No one under the age of 18 should attempt assembly or set up of the unit, unless properly supervised.

To prevent normal wear and tear from shortening the life of the unit, preventative maintenance inspections and repairs should be performed at least once per year. If the units are subject to high or unusual usage, inspections should be scheduled to occur more frequently. If items are found to be nonconforming, replacements can be ordered from an authorized dealer. When contacting your dealer, please have information regarding the name of the project and any applicable warranty information.

| 7300 SERIES PARTS LIST | | | MODEL | | | | | |
|------------------------|-------------|------------------------------------|-------|------|------|------|------|------|
| | | | 7300 | 7305 | 7302 | 7307 | 7383 | 7385 |
| ITEM | PART NUMBER | DESCRIPTION | 1 CT | 1 CT | 2 CT | 2 CT | 3 CT | 3 CT |
| 1 | 7315 | WINCH POST, 7300 | 1 | 1 | 2 | 2 | 3 | 3 |
| 2 | 7310 | END POST, 7300 | 1 | 1 | 1 | 1 | 1 | 1 |
| 3 | 7320 | CENTER POST W/WINCH, 7300 | - | - | 1 | 1 | 2 | 2 |
| 4 | 6405 | FLOOR SLEEVE, 4" INSIDE DIA. | 2 | - | 3 | - | 4 | - |
| 5 | 6430 | 6" BRASS FLOOR COVER - LOW PROFILE | 2 | - | 3 | - | 4 | - |
| 6 | 6010 | UPRIGHT PAD - CUSTOM COLOR | 2 | 2 | 2 | 2 | 2 | 2 |
| 7 | 6020 | CTR UPRIGHT PAD - CUSTOM COLOR | - | - | 1 | 1 | 2 | 2 |
| 8 | 601651165 | VOLLEYBALL NET | 1 | 1 | 2 | 2 | 3 | 3 |
| 9 | 1028-22-00 | NET ANTENNA | 2 | 2 | 4 | 4 | 6 | 6 |
| 10 | 7607-22-00 | NET SIDELINE MARKER | 2 | 2 | 4 | 4 | 6 | 6 |
| 11 | 6251 | BUCKLE COVERS SET OF (6) | 1 | 1 | 2 | 2 | 3 | 3 |
| 12 | 7608 | NET HEIGHT CHECKER | 1 | 1 | 1 | 1 | 1 | 1 |
| 14 | 601751797 | MANUAL, 7300 VOLLEYBALL SYSTEM | 1 | 1 | 1 | 1 | 1 | 1 |

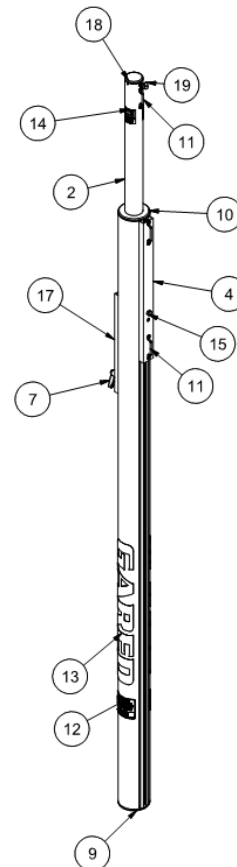
Posts are shipped fully assembled. Verify all parts listed on packing list are present prior to installation.



| 7315 WINCH POST | | | |
|-----------------|-----|-------------|----------------------------------|
| ITEM | QTY | PART NUMBER | DESCRIPTION |
| 1 | 1 | 1010-22-00 | TELESCOPIC VOLLEYBALL POST |
| 2 | 1 | 1008-22-00 | TELESCOPE TUBE |
| 3 | 1 | 604752137C | 7300 WINCH RAIL ASSEMBLY |
| 4 | 1 | 604752138 | 7300 INNER RAIL ASSEMBLY |
| 5 | 1 | 601654153C | TOP CAP ROLLER CARRIAGE ASSEMBLY |
| 6 | 1 | 604506673 | WINCH, WORM GEAR KIT |
| 7 | 1 | 601651827 | RAIL LOCK LEVER |
| 8 | 1 | 1280-30-00 | 1/4" UNIVERSAL SNAP LINK |
| 9 | 1 | 1025-22-00A | END CAP (VOLLEYBALL POST) |
| 10 | 1 | 1026-22-00A | POST CAP BUSHING (7300 POST) |
| 11 | 1 | 2004-22-00 | FOOTMAN'S LOOP |
| 12 | 2 | 2044-31-00 | DECAL, ATTN CONSUMER |
| 13 | 2 | 121974127 | DECAL, GARED TALL BLACK |
| 14 | 2 | 121974129 | DECAL, "G" 6100 & 7300 POST |
| 15 | 1 | 502-6-16-88 | HEX BOLT, 3/8-16 UNC X 5.5 |
| 16 | 1 | 544-6-16 | HEX JAM NUT, NYLON LOCK 3/8-16 |

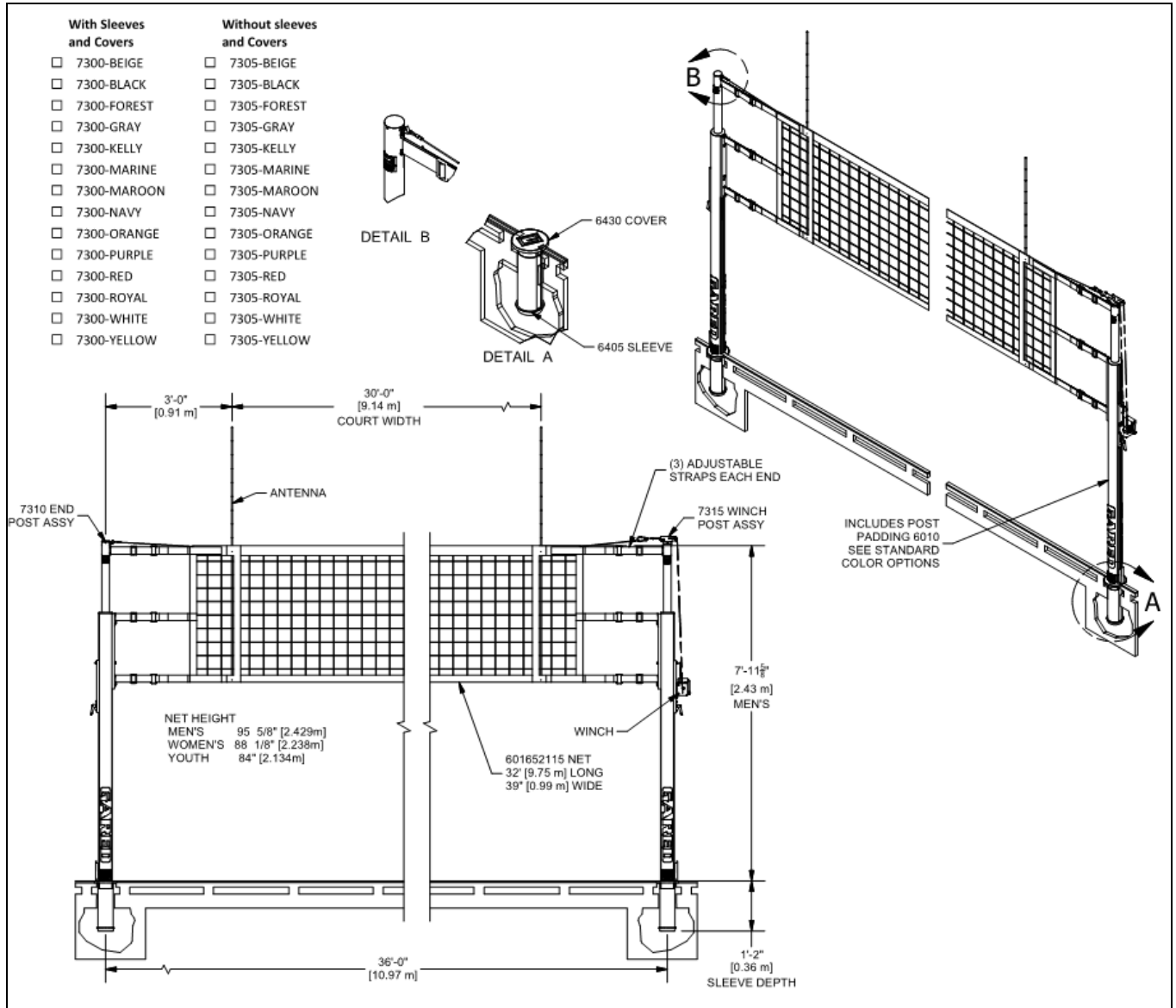
Important: Item #2 is under spring pressure. DO NOT remove bolt #15 (winch post) or bolt #11 (end post) without consulting the factory.

| 7310 END POST | | | |
|---------------|-----|-------------|-------------------------------------|
| ITEM | QTY | PART NUMBER | DESCRIPTION |
| 1 | 1 | 1010-22-00 | TELESCOPIC VOLLEYBALL POST |
| 2 | 1 | 1008-22-00 | TELESCOPE TUBE |
| 4 | 1 | 604752138 | 7300 INNER RAIL ASSEMBLY |
| 7 | 1 | 601651827 | RAIL LOCK LEVER |
| 9 | 1 | 1025-22-00A | END CAP (VOLLEYBALL POST) |
| 10 | 1 | 1026-22-00A | POST CAP BUSHING (7300 POST) |
| 11 | 1 | 2004-22-00 | FOOTMAN'S LOOP |
| 12 | 2 | 2044-31-00 | DECAL, ATTN CONSUMER |
| 13 | 2 | 121974127 | DECAL, GARED TALL BLACK |
| 14 | 2 | 121974129 | DECAL, "G" 6100 & 7300 POST |
| 15 | 1 | 502-6-16-88 | HEX BOLT, 3/8-16 UNC X 5.5 |
| 16 | 1 | 544-6-16 | HEX JAM NUT, NYLON LOCK 3/8-16 |
| 17 | 1 | 604753045B | 7300 END POST LOCKING RAIL ASSEMBLY |
| 18 | 1 | 1033-22-00 | TELESCOPIC TUBE CAP |
| 19 | 1 | 2002-22-00 | 5/16" STAINLESS J- HOOK |



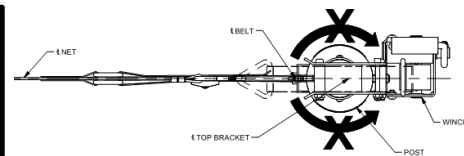
MODEL 7300 MASTER VB SYSTEM

MODEL 7305 MASTER VB SYSTEM less SLEEVES AND COVERS



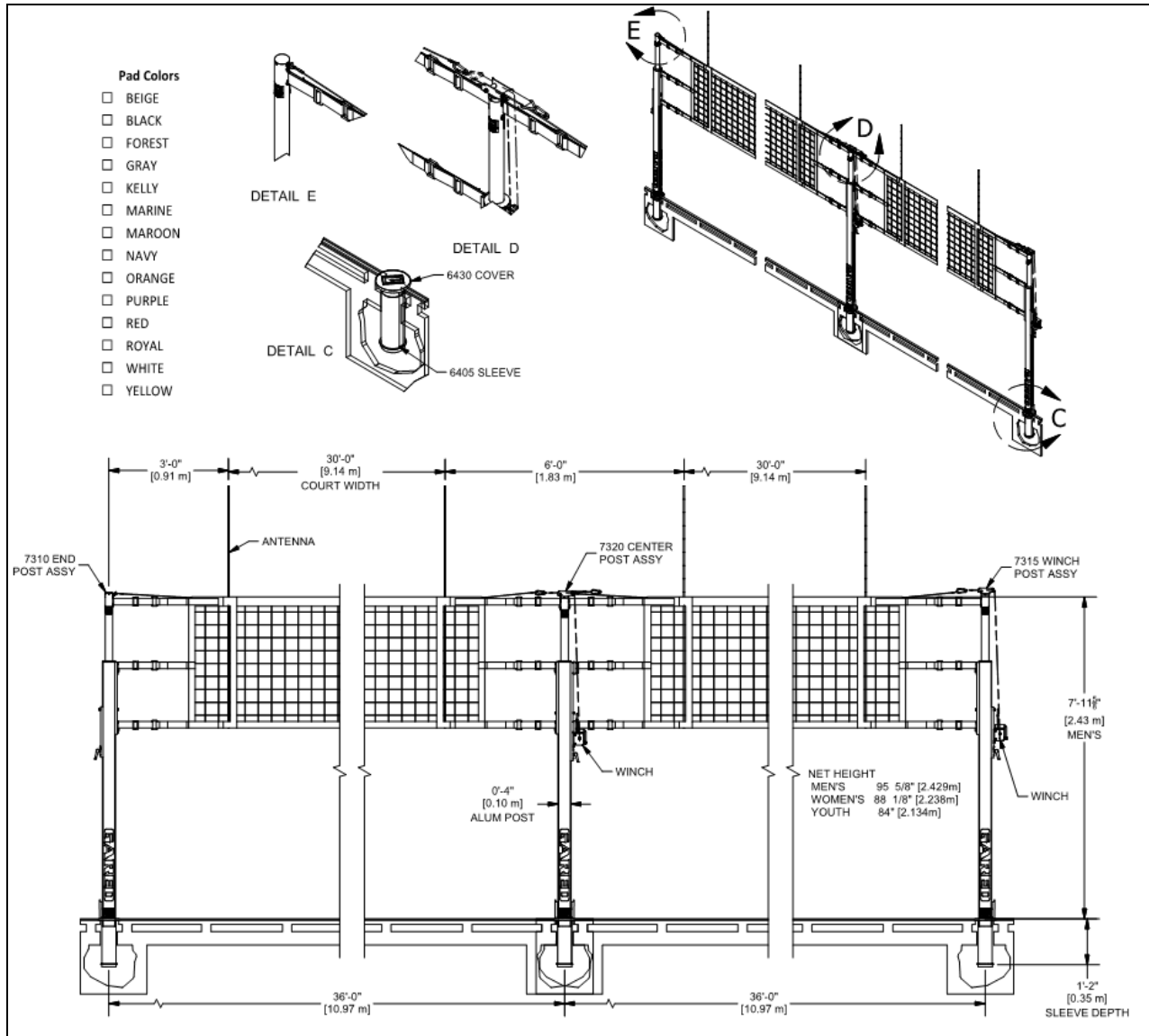
⚠ CAUTION

When setting up the system, always make sure the winch post is rotated so the belt is aligned with the net as the net begins to tension. Failure to do so will cause excessive belt wear.



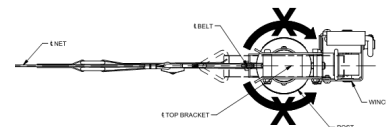
MODEL 7302 MASTER TWO COURT VB SYS

MODEL 7307 MASTER TWO COURT VB SYS less SLEEVES AND COVERS



⚠ CAUTION

When setting up the system, always make sure the winch post is rotated so the belt is aligned with the net as the net begins to tension. Failure to do so will cause excessive belt wear.



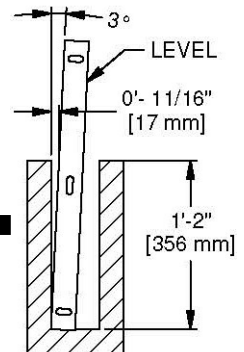
Floor Sleeve Installation

1. Mark (2) points on the floor exactly 36 feet apart (refer to most recent set of architectural prints for exact locations within the gym). These represent the CENTERS of each sleeve installation. If sleeves are to be more or less than 36 feet apart, contact a PSS or Gared representative for information regarding this alteration.
2. Cut (2) round holes through the playing surface 4-3/4" to 5" diameter centered on the spots marked in step one. (See page 7&8)
3. After cutting out the circle in the surface flooring, cut a similar hole in the concrete slab below. The diameter of this hole should be about 5"; however, the size is not critical. The hole must be large enough to accommodate the sleeve at 3 degrees off vertical.
4. Cut or drill the hole completely through the concrete slab. Under the slab, hollow out (by hand) an area about 16-20" deep from the playing surface. (Refer to page 7 and page 8).
5. Depending on the type of floor, and the supports present under the wood floor, cutting the hole for the sleeve could create a "dead spot" on the floor. This is when a ball does not bounce as high at the install point as it did prior to cutting the hole. If there is concern of this happening additional blocking can be added to alleviate the dead spot.
 - a. Cut (6) blocks of wood 1" to 3" wide, 4" long and thick enough to be able to slide between the cement and the subfloor without pushing the flooring up.
 - b. Make sure cement surface under the subfloor and the bottom of the blocks are clean and dry.
 - c. Apply a small amount of appropriate adhesive to the concrete side of the wood block. **ONLY APPLY ADHESIVE TO CONCRETE SIDE OF BLOCK.**
 - d. Slide blocks under subfloor with adhesive side toward cement as shown on page 7 and 8.
 - e. Bounce a basketball near the hole to make sure there is no dead spot remaining.
6. A "non-shrink" grout should be used to anchor the sleeve. Pour the grout mixture into the hole until it is just below the BOTTOM of the concrete hole. Cover the sleeve during installation to prevent debris from falling in or grout from entering the bottom of sleeve.

7. Insert the 4-1/4" O.D. steel sleeve and work it down into the grout until the inside bottom of the sleeve is 14" below the TOP surface of the floor. Incorrect sleeve depth will result in a net height error. Also be aware that the sleeve must tilt 3° away from the court. The 3° will correct when the net is installed and tightened.

Note: 3° is approximately 11/16" in 14".

Court ←



8. Wait a minimum of (7) days to allow the grout to cure before setting up the posts.

9. **Note: A skilled woodworker will be needed for the following operation!**

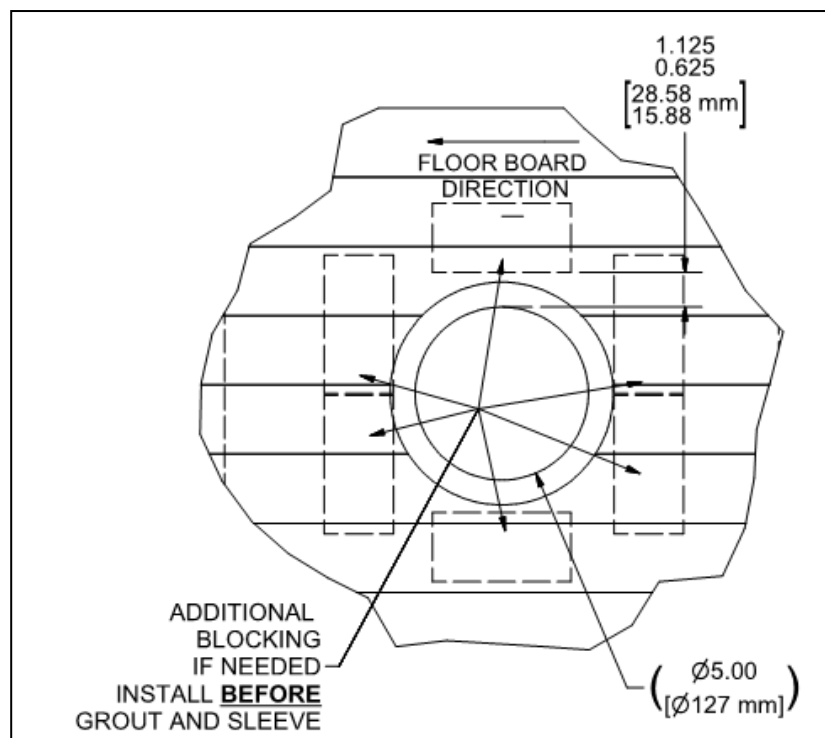
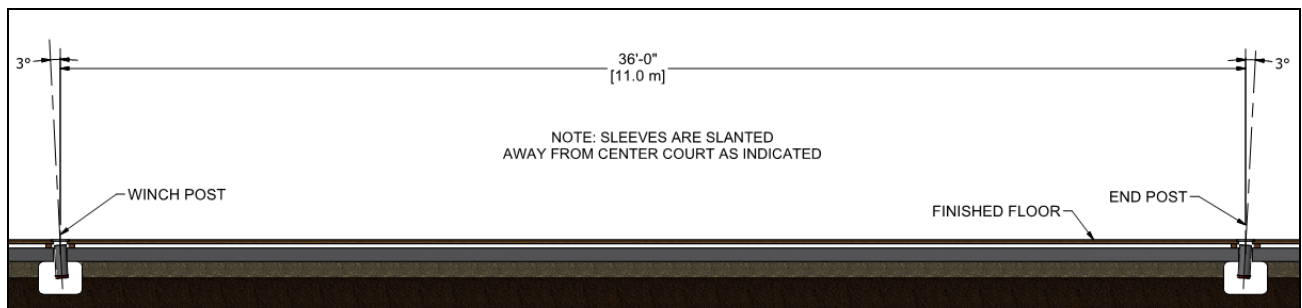
Using a router and template, make a counterbore 6-7/16" diameter by 9/16" deep centered over the original 5" hole in the floor, to receive the brass floor cover. A template can be made from a piece of Masonite or thick plastic. A template is needed to achieve a good and accurate cut. Many router and template combinations are possible. One example of a router and template combination is shown on page 8. A finished counterbore of 6-7/16" diameter is what is important! Practice on a piece of scrap wood first. If the hole is too big, corrections may not be possible!

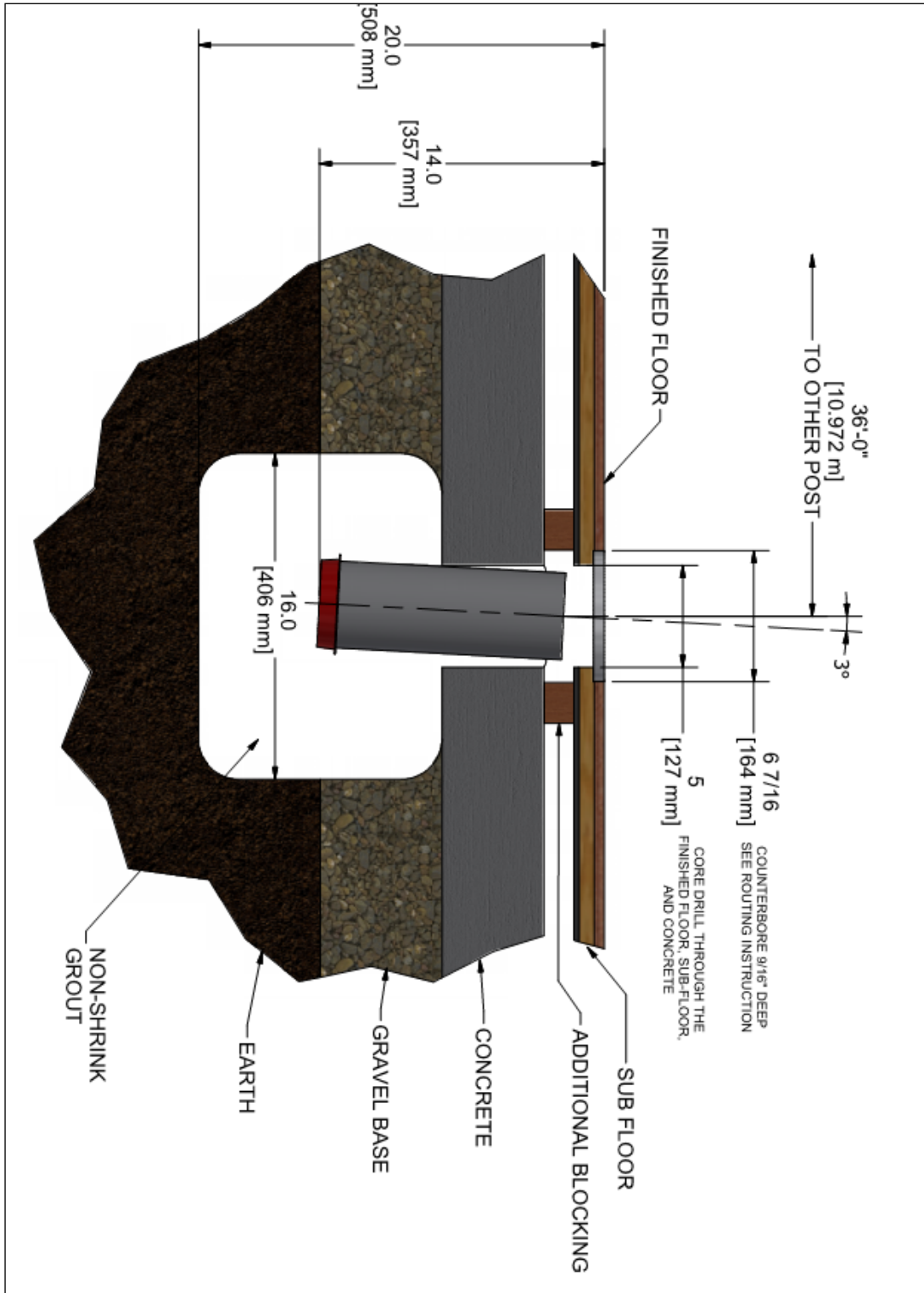
⚠ CAUTION

The dimensions given are for a 6130/6131 floor cover. Carefully confirm exact floor cover diameter and depth before starting.

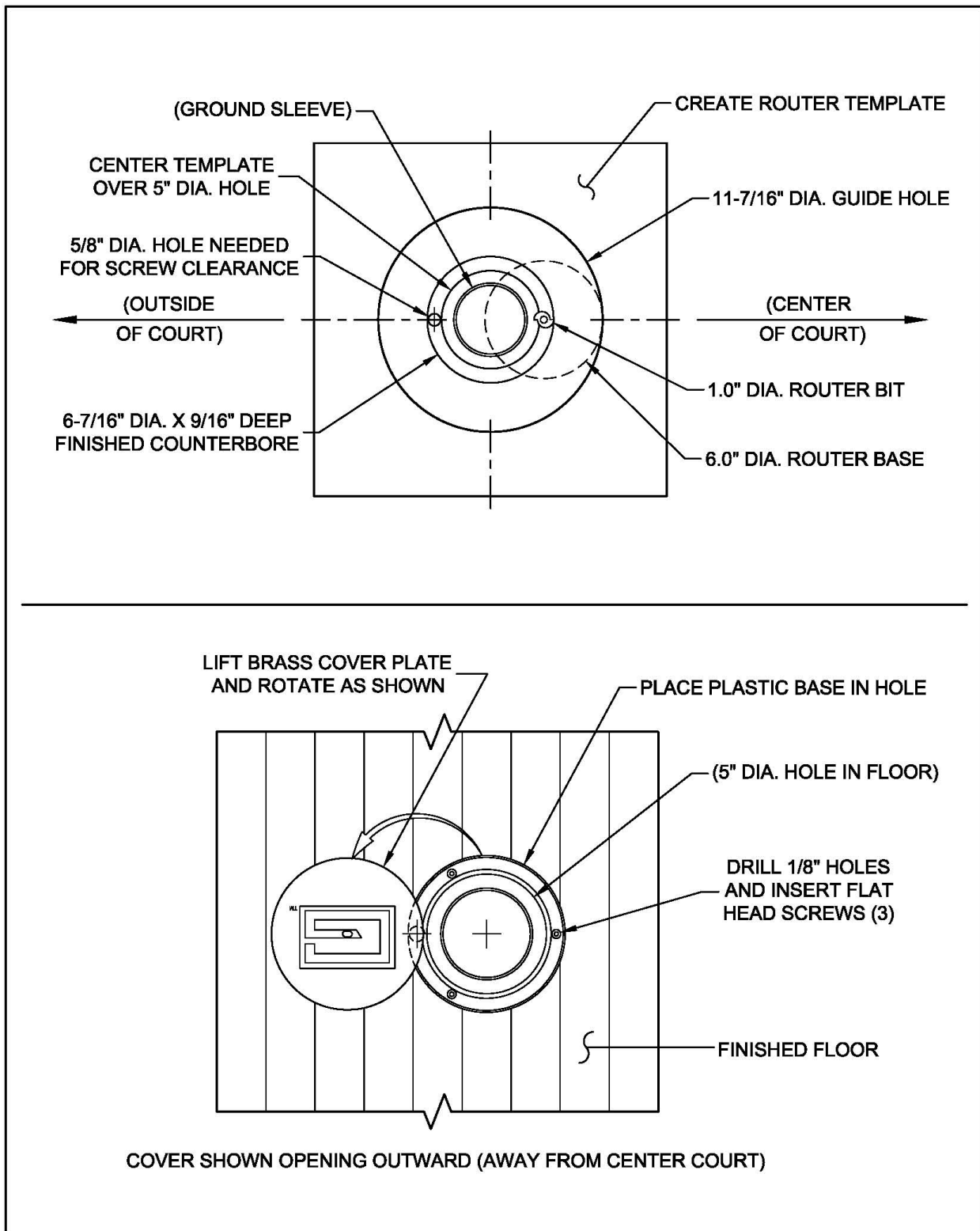
10. Install the floor covers. Usually the covers are oriented to open outward away from the playing area. However, this is a matter of preference. Drill holes and insert screws as shown on page 8.

Installation Instructions for Ground Sleeves



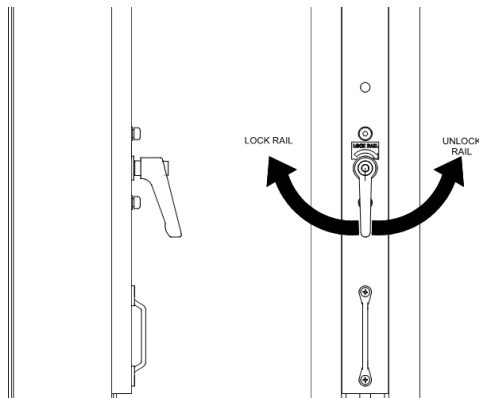
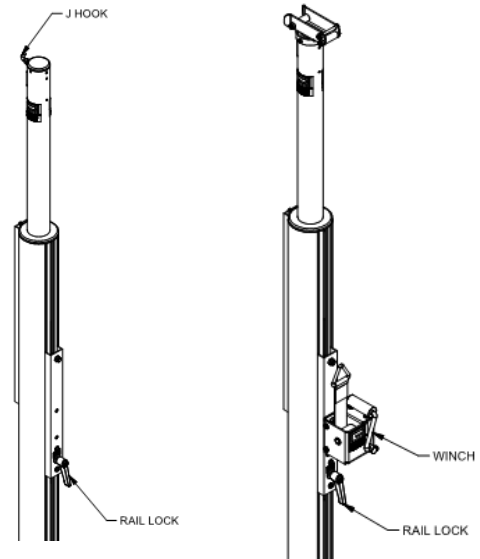


Counterbore Details and Floor Cover Installation



Post and Net Installation Instructions

1. Lift and rotate the floor covers out of the way. Insert the **Winch Post** and **End Post**.
2. Lay out the net in the approximate position between the two posts.
3. To adjust the net height, rotate the rail lock clockwise and slide the rail to a position where the net cable attachment points are approximately 3/4" [19 mm] higher than the desired net height at the center of the court. See regulation net heights below. Rotate the rail lock lever counterclockwise until very snug to lock the rail in position.



| Net Height at Center Court | | |
|----------------------------|---------|-----------|
| MEN's VB | 95 5/8" | [2.429 m] |
| WOMEN'S VB | 88 1/8" | [2.238 m] |
| YOUTH VB | 84" | [2.134 m] |

4. Rotate the crank handle of the winch until the belt is near full extension.
5. Attach the net cable to the J-hook on the end post with. Attach the net cable to the winch belt with a snap link.
6. Next, turn the winch handle to tighten the net cable. Note that the height of the net is measured at the center of the court and will be approximately 3/4" higher at the court lines when properly tensioned. **Be sure the winch post is rotated so the belt is aligned with the net as the net begins to tension. Failure to do so will cause excessive belt wear.**

➤ **DO NOT OVER TENSION THE NET.**

⚠ WARNING

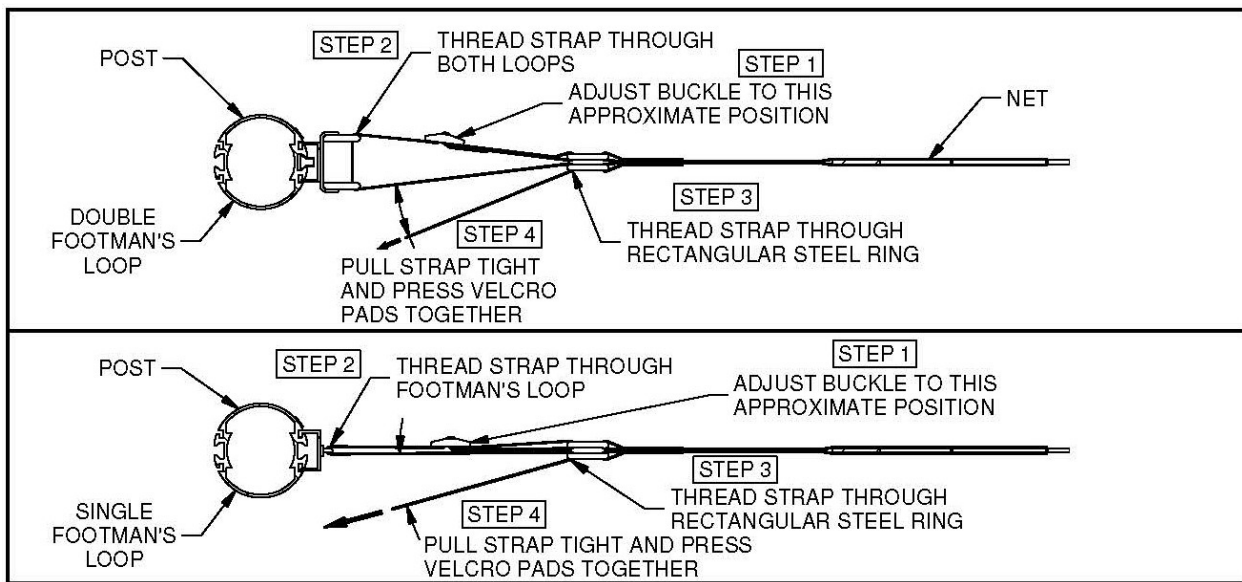
DO NOT OVERTIGHTEN WINCH
Overtightening may result in damage to equipment and/or serious injury.

124651582

7. If net height adjustments are necessary, release the tension on the net and cable. Rotate the rail lock lever and slide the rail up or down to the required adjustment. Lock the rail lock lever and re-tension the net cable and net straps.
 - a. The height of the net will vary slightly with the tightness of the cable. If the height of the net needs significant adjustment, loosen the net cable before adjusting and changed as noted in step #3.

- b. The net cable tension does not make the net play livelier as the net can slide from side to side on the net cable. This is accomplished by adjusting the net straps as described in step #7.

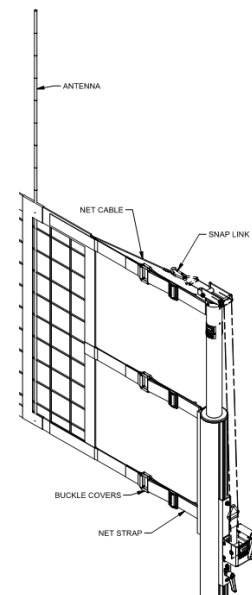
8. Once the net height is adjusted, center the net so that there is equal space between the ends of the net and the posts. Undo the Velcro net straps as they come shipped with the net. Route the straps through the Footman's loops as shown in the following illustration. Pull the straps tight and press the Velcro surfaces together. These straps are responsible for maintaining the net tension and may need to be retightened periodically. Expect some initial stretch in the net.



TOP VIEW OF NET STRAP PLACEMENT

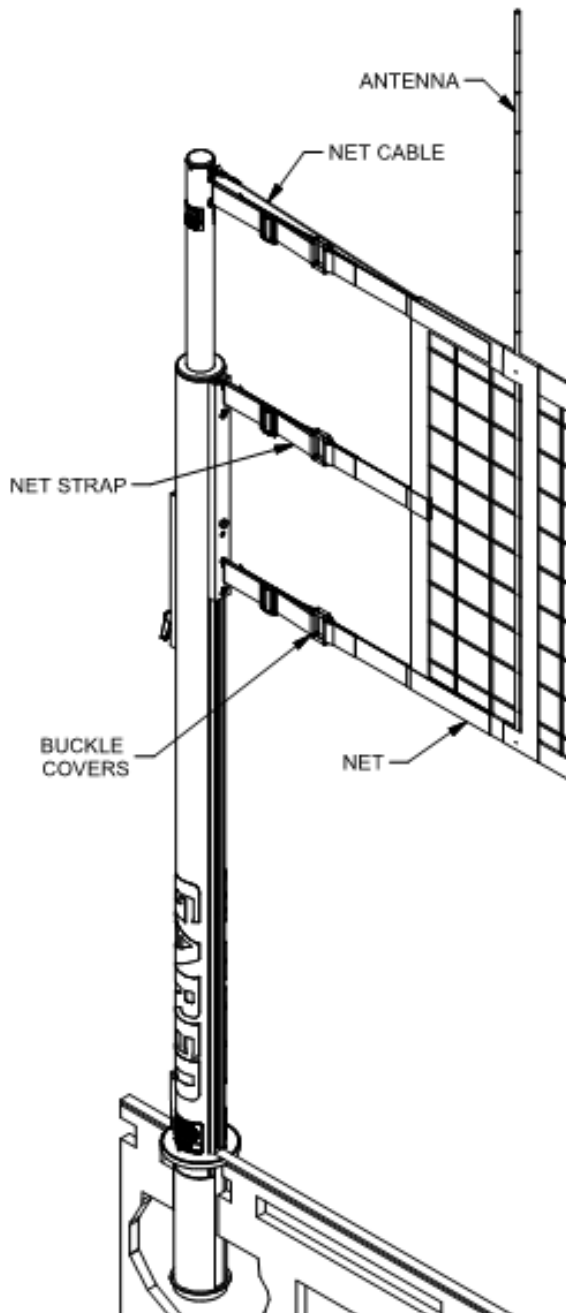
Note: Winch post on single court system has single footman's loop. Center winch post on 2 & 3 court systems have double footman's loops.

9. Install the net side markers, 7607-22-00, which will attach the net antenna to the net over each side court line.
10. Insert the net antenna. Antenna should be adjusted to mark the outer edge of the 30 ft [9.144 m] court width.
11. Install the buckle covers over each net strap buckle.
12. Install post pads by wrapping pad around the post with the straps towards the court side of post. Secure with the hook and loop straps sewn to the post padding.

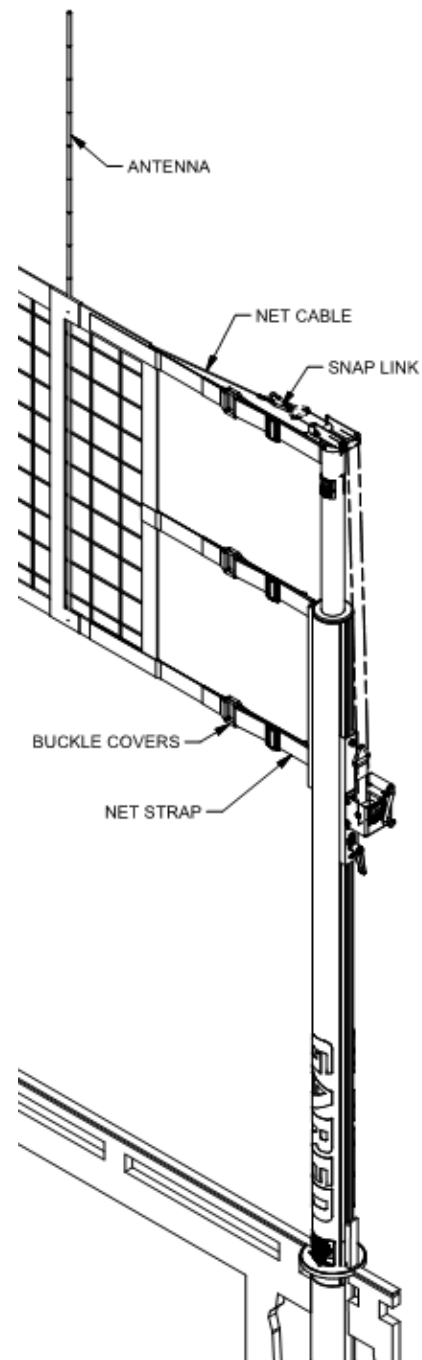


13. To take volleyball system down;
 - a. Remove antenna.
 - b. Unhook net straps from posts at both ends.
 - c. Crank winch until net cable can be unhooked from snap links.
 - d. Fold net up and transport net and posts to storage.

7310 End Post with Net



7315 Winch Post with Net





Gared Holdings, LLC

Performance Sports Systems
9200 E. 146th Street
Noblesville, IN 46060

800-848-8034
www.perfsports.com

Gared Sports
9200 E. 146th Street
Noblesville, IN 46060

800-325-2682
www.garedsports.com