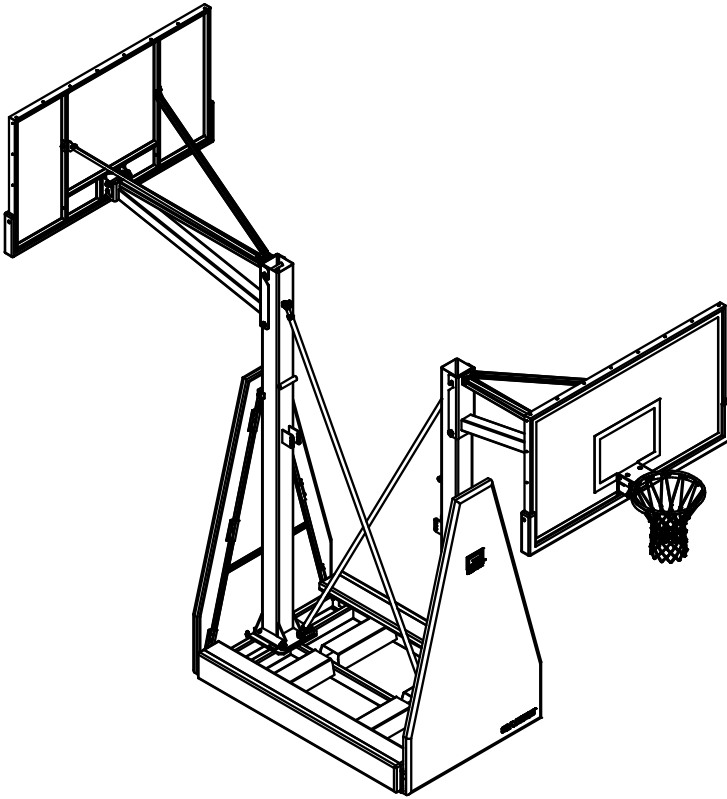
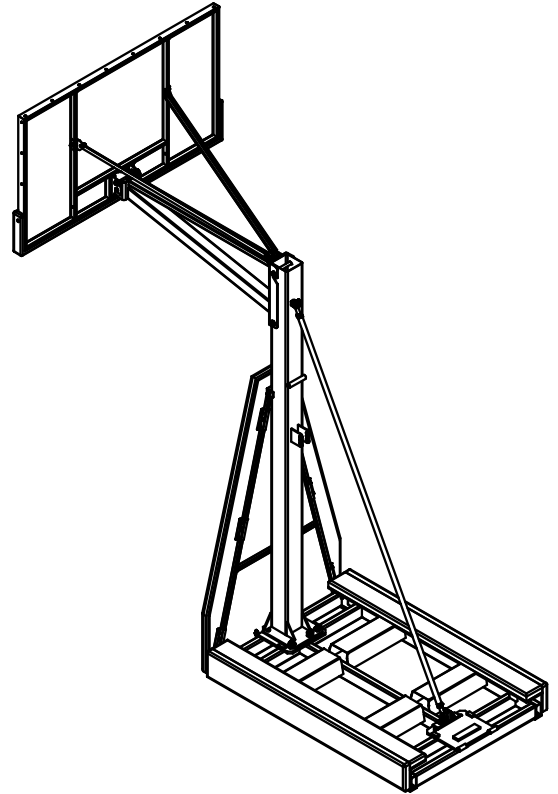


HOOPS 21™



Double System
9252

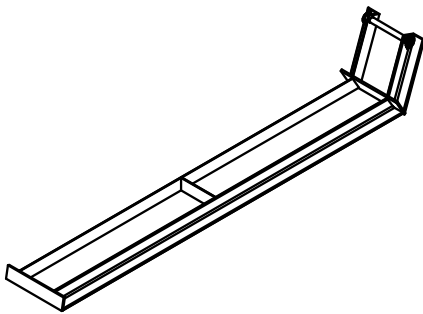


Single System
9251

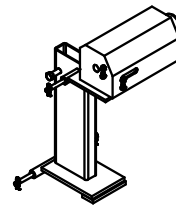
These special tools will be required for the installation and setup of the units.

Note:

Tools shown here are purchased separately.



9256
KICK STAND PKG, HOOPS 21
2 will be required by each assembly team



9257
WINCH INSTALLATION PKG, HOOPS 21
1 is required by each assembly team

Installation and Assembly Instructions



Gared Holdings, LLC
9200 E. 146th St.
Noblesville, IN 46060

HOOPS 21™ SYSTEM

FILE LOC. Q:\Inventor Files\

DATE

6/20/2014

SHT. NO.

1 OF 21

PART NO.

551751181

REV

A

Section 1 - Introduction

Thank you for your purchase of a Gared Sports Hoops 21™ tournament basketball system. To ensure that our equipment will provide years of use to you, we are including this installation, operation, and maintenance guide. This guide will provide information on the proper assembly and installation methods, operating procedures, and preventative maintenance of your portable backstop.

Please note that a Bill of Materials is being included with this guide. Please check that all of the parts called out on the Bill of Materials are present prior to beginning assembly and setup. Please do not substitute for factory parts. Please contact your dealer or Gared or Performance Sports Systems customer service department and allow them to determine if substitute parts are acceptable.

It is recommended that an individual who has been properly trained perform assembly and set up of the backstop. No one under the age of 18 should attempt assembly or set up of the unit, unless properly supervised.

To prevent normal wear and tear from shortening the life of the unit, preventative maintenance inspections and repairs should be performed at least once per year. If the units are subject to high or unusual usage, inspections should be scheduled to occur more frequently. If items are found to be nonconforming, replacements can be ordered from Gared, Performance Sports Systems, or one of our authorized dealers. When contacting Gared or PSS, please have information regarding the dealer/installer who sold the unit, the name of the project, and any applicable warranty information.

Before beginning the assembly setup and installation, make sure to read and understand all the instructions in this manual. The Hoops 21™ can be packaged with optional storage carts for the masts and arms, or palletized.

If you have the optional storage carts, please refer to Section 6 - Storage and Transport for information on packing and unpacking.

Please refer to section 3 - Ballast Requirements for information on minimum ballast weight required per unit. Ballast is not supplied with the unit and is the responsibility of the user to provide the proper ballast for the units.

Information by Sections

Section 1 - Introduction and Warnings

Section 2 - Parts Lists

Section 3 - Ballast Requirements

Section 4 - Floor Layout

Section 5 - Setup Instructions

Section 6 - Storage and Transport

Installation and Assembly Instructions



Gared Holdings, LLC
9200 E. 146th St.
Noblesville, IN 46060

HOOPS 21™ SYSTEM			
FILE LOC.	Q:\Inventor Files\		
DATE	SHT. NO.	PART NO.	REV
6/20/2014	2 OF 21	551751181	A

Section 1 - Introduction

Cautions and Warnings have been noted throughout the manual for your safety and the safety of the users. Please make sure to follow all cautions, warnings, and highlighted notes in order to provide the safest possible installation. Most cautions and warnings are presented on this page for your review.



WARNING

Read, Understand, and Follow all installation instructions outlined in this manual. Failure to follow these instructions could result in damage to equipment or injury to personnel.



WARNING

Do not substitute parts or hardware without authorization in writing from the factory. Substituting incorrect parts or hardware could result in failure or damage to equipment or injury to personnel.



CAUTION

Before beginning the installation, read understand and follow all safety instructions for power tools and equipment. Use proper safety equipment during the installation.



WARNING

Place required ballast on the base frame before attempting to raise the post with backboard and goal to the vertical position. Failure to install ballast could result in damage to equipment or injury to personnel.



WARNING

Fully assembled unit has a very high center of gravity and is offset to one side. Do not attempt to move fully assembled unit with lift truck. The high center of gravity could result in a tip over, damage to equipment, and injury to personnel.

Installation and Assembly Instructions



Gared Holdings, LLC
9200 E. 146th St.
Noblesville, IN 46060

HOOPS 21™ SYSTEM

FILE LOC. Q:\Inventor Files\

DATE

6/20/2014

SHT. NO.

3 OF 21

PART NO.

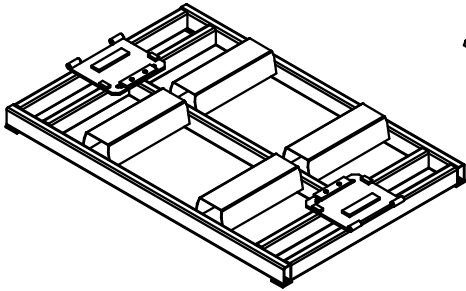
551751181

REV

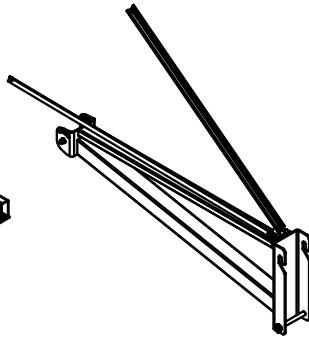
A

Section 2 - Parts Lists

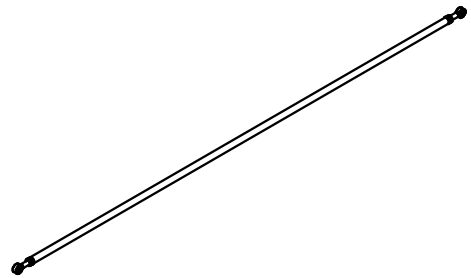
Major Subassembly Identification



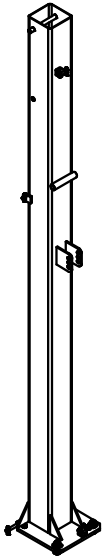
9254



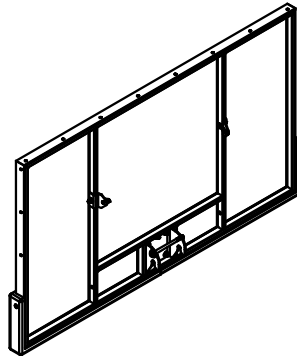
553101182



553101166



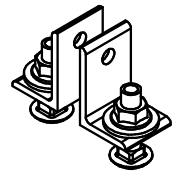
553101183



553101184



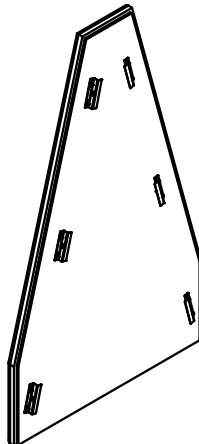
2000



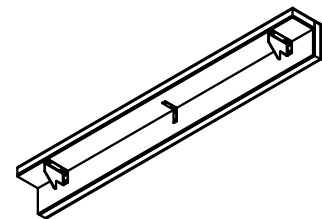
9255



553101164



553101185



883103595

Installation and Assembly Instructions



Gared Holdings, LLC
9200 E. 146th St.
Noblesville, IN 46060

HOOPS 21™ SYSTEM

FILE LOC. Q:\Inventor Files\

DATE 6/20/2014

SHT. NO. 4 OF 21

PART NO. 551751181

REV A

Section 2 - Parts Lists

9251
Single Unit Parts List

PARTS LIST			
ITEM	QTY	PART NUMBER	DESCRIPTION
1	1	9254	BASE WELDMENT, HOOPS 21
2	1	553101183	POST SUBASSEMBLY, HOOPS 21
3	1	553101182	ARM SUBASSEMBLY, HOOPS 21
4	1	553101184	BACKBOARD SUBASSEMBLY, HOOPS 21
5	1	2000	COLLEGIATE BREAKAWAY GOAL
6	1	553101166	BRACE WELDMENT, TOURNAMENT POST
7	1	9255	ANCHOR ASSY, SGL HOOPS 21
8	1	553101164	FRAME WELDMENT, TOURNAMENT PAD
9	1	553101185	PAD SUBASSEMBLY, HOOPS 21
10	2	883103595	PAD ASSY, BASE SIDE
11		9256	KICK STAND PKG, HOOPS 21
12		9257	WINCH INSTALLATION PKG, HOOPS 21

9252
Double Unit Parts List

PARTS LIST			
ITEM	QTY	PART NUMBER	DESCRIPTION
1	1	9254	BASE WELDMENT, HOOPS 21
2	2	553101183	POST SUBASSEMBLY, HOOPS 21
3	2	553101182	ARM SUBASSEMBLY, HOOPS 21
4	2	553101184	BACKBOARD SUBASSEMBLY, HOOPS 21
5	2	2000	COLLEGIATE BREAKAWAY GOAL
6	2	553101166	BRACE WELDMENT, TOURNAMENT POST
8	2	553101164	FRAME WELDMENT, TOURNAMENT PAD
9	2	553101185	PAD SUBASSEMBLY, HOOPS 21
10	2	883103595	PAD ASSY, BASE SIDE
11		9256	KICK STAND PKG, HOOPS 21
12		9257	WINCH INSTALLATION PKG, HOOPS 21

553101183
Post Parts List

PARTS LIST			
ITEM	QTY	PART NUMBER	DESCRIPTION
13	1	553101153	POST WELDMENT, TOURNAMENT
14	1	553101167	PIN, 1/2 X 8
16	6	6380-11-00	HITCH PIN, 1/8" DIA
17	1	941651109	HINGE PIN - FGP600H
18	2	501-10-11-40	BOLT, CARRIAGE 5/8-11 UNC X 2.5
19	2	548-10-11	HEX NUT, SERRATED FLANGE 5/8-11
20	2	561-10	FLAT WASHER 5/8
21	2	6210-11-00	CLEVIS PIN, 1/2" X 2"

Installation and Assembly Instructions



Gared Holdings, LLC
9200 E. 146th St.
Noblesville, IN 46060

HOOPS 21™ SYSTEM

FILE LOC. Q:\Inventor Files\

DATE 6/20/2014

SHT. NO.
5 OF 21

PART NO.
551751181

REV
A

Section 2 - Parts Lists

553101182
Arm Parts List

PARTS LIST			
ITEM	QTY	PART NUMBER	DESCRIPTION
21	1	553101154	ARM WELDMENT, 5 FT EXTENSION
22	1	553101159	PIN, .75 X 8.38 ARM ATTACHMENT
23	2	553101161	ANGLE, BOARD BRACE 5 ft EXT
24	2	101091034	LYNCH PIN, 3/16 x 1 1/4
25	2	101553265	FLANGE BUSHING, 5/8 ID X 5/8 LONG
26	1	9-72-0005	HINGE PLATE WELDMENT
27	2	501-6-16-20	BOLT, CARRIAGE 3/8-16 UNC X 1.25
28	1	502-6-16-72	HEX BOLT, 3/8-16 UNC X 4.5
29	1	502-8-13-56	HEX BOLT, 1/2-13 UNC X 3.5
30	1	543-8-13	HEX JAM NUT 1/2-13
31	3	545-6-16Z	HEX NUT, NYLON LOCK 3/8-16
32	4	561-6	FLAT WASHER 3/8

553101184
Backboard Parts List

PARTS LIST			
ITEM	QTY	PART NUMBER	DESCRIPTION
33	1	BB72A38	72" X 42" X 3/8" ACRYLIC BACKBOARD
34	1	453074189	BOARD MOUNTING BRACKET
35	2	553101163	BRKT WELDMENT, BOARD ATTACH
36	1	LSCE72	MOLDED CUSHION EDGE 72" BACKBOARD
16	2	6380-11-00	HITCH PIN, 1/8" DIA
27	2	501-6-16-20	BOLT, CARRIAGE 3/8-16 UNC X 1.25
39	2	501-6-16-32	BOLT, CARRIAGE 3/8-16 UNC X 2
40	2	502-6-16-28	HEX BOLT, 3/8-16 UNC X 1.75
41	2	502-6-16-32	HEX BOLT, 3/8-16 UNC X 2
42	1	502-8-13-128Z	HEX BOLT, 1/2-13 UNC X 8
31	8	545-6-16Z	HEX NUT, NYLON LOCK 3/8-16
44	1	545-8-13	HEX NUT, NYLON LOCK 1/2-13
32	12	561-6	FLAT WASHER 3/8
46	2	561-8	FLAT WASHER 1/2

553101184
Front Pad Parts List

PARTS LIST			
ITEM	QTY	PART NUMBER	DESCRIPTION
47	1	883103543	PAD ASSY, FRONT TOURNAMENT
48	6	604401166	PAD CLIP
49	12	223-4-20-8Z	SCREW, MACH PAN HD PHIL 1/4-20 UNC X 0.5
50	12	561-4	FLAT WASHER 1/4
51	2	571-4-20-12	SELF TAPPING SCREW, 1/4-20 UNC X 0.75

Installation and Assembly Instructions



Gared Holdings, LLC
9200 E. 146th St.
Noblesville, IN 46060

HOOPS 21™ SYSTEM

FILE LOC. Q:\Inventor Files\

DATE 6/20/2014

SHT. NO. 6 OF 21

PART NO. 551751181

REV A

Section 3 - Ballast

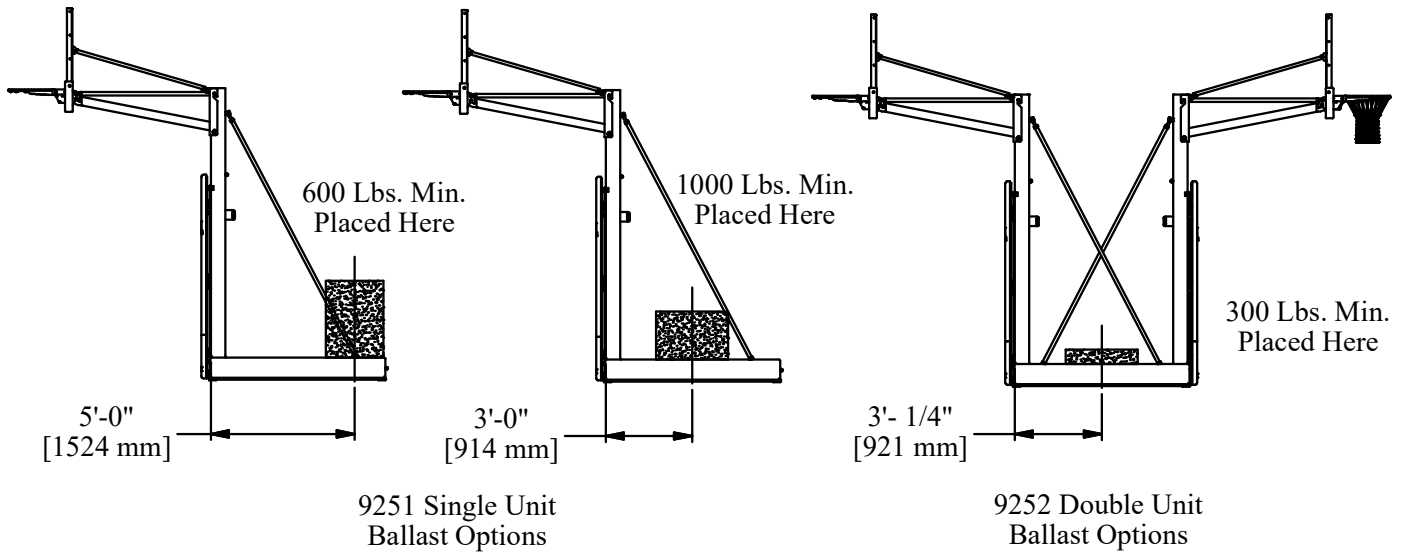
Ballast for the units is not supplied by the factory. Each unit must have ballast added by the installer at set up of the units.

Ballast can be concrete blocks or sand bags, or steel billets as locally available. The minimum required ballast for each unit is as follows:

9251 Single Unit - 600 Pounds Minimum when placed on the rear of the base

9251 Single Unit - 1000 Pounds Minimum when placed on the center of the base

9252 Double Unit - 300 Pounds Minimum placed on the center of the base



9251
Shown with sand bag ballast



9252
Shown with san bag ballast

Installation and Assembly Instructions



Gared Holdings, LLC
9200 E. 146th St.
Noblesville, IN 46060

HOOPS 21™ SYSTEM

FILE LOC. Q:\Inventor Files\

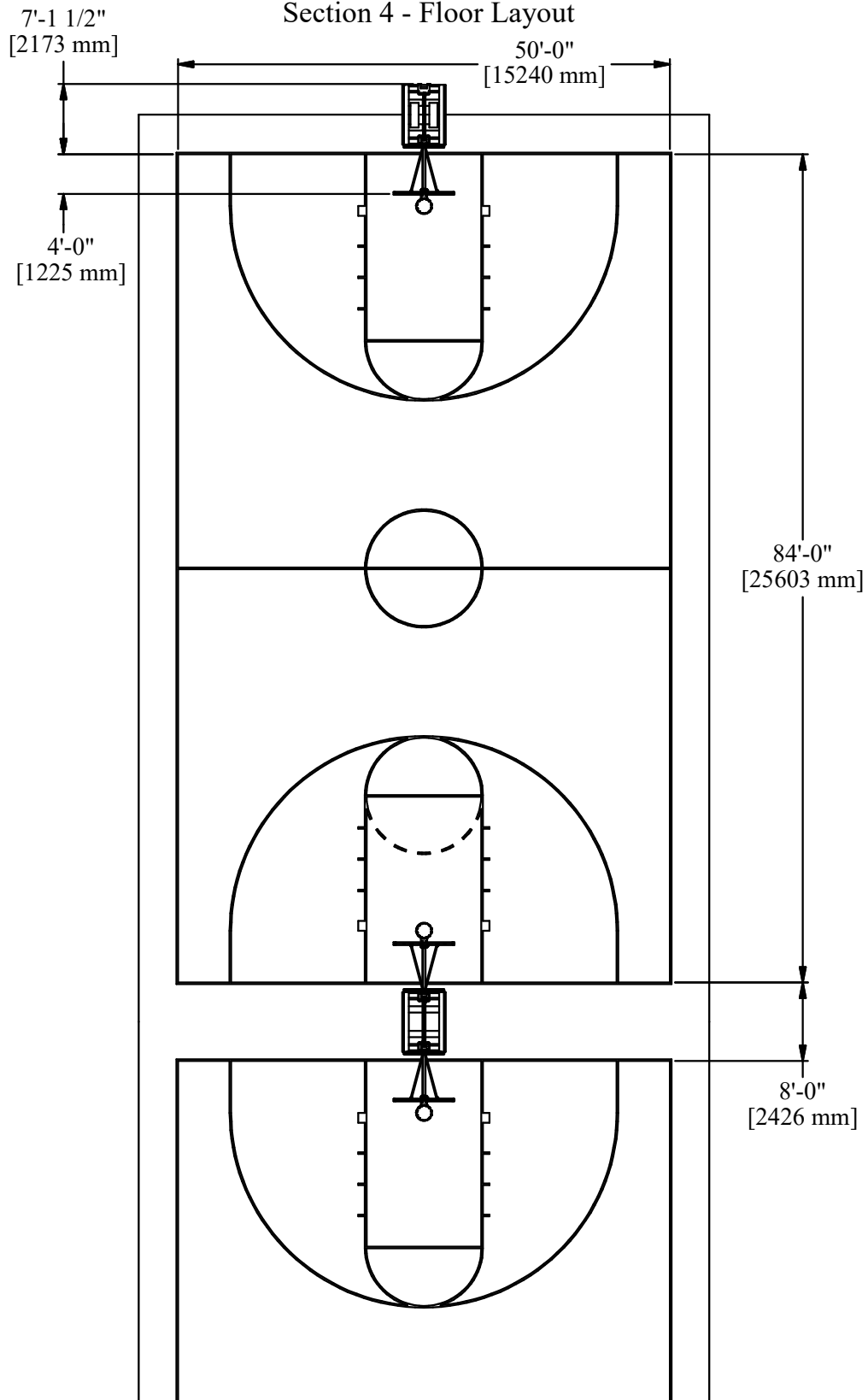
DATE 6/20/2014

SHT. NO. 7 OF 21

PART NO. 551751181

REV A

Section 4 - Floor Layout



Installation and Assembly Instructions



Gared Holdings, LLC
 9200 E. 146th St.
 Noblesville, IN 46060

HOOPS 21™ SYSTEM

FILE LOC. Q:\Inventor Files\

DATE 6/20/2014

SHT. NO. 8 OF 21

PART NO. 551751181

REV A

Section 5 - Setup Instructions

9251 Single Unit Assembly

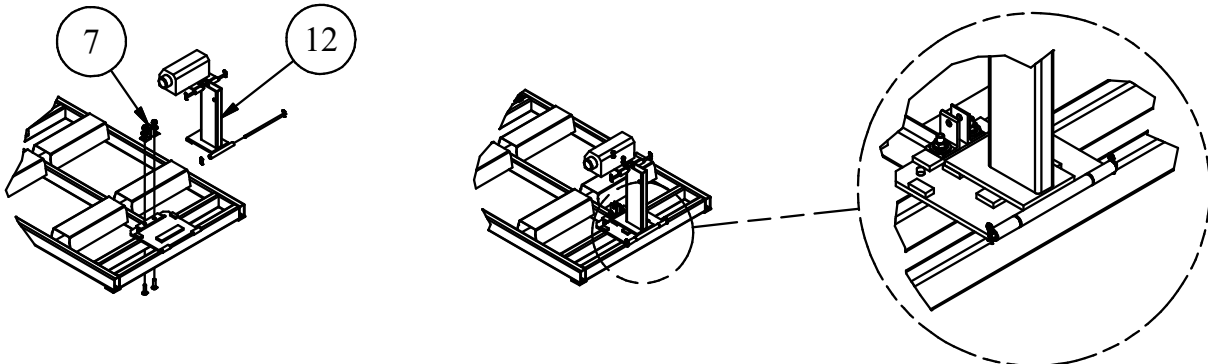
Place the base in position and add ballast.

Note:

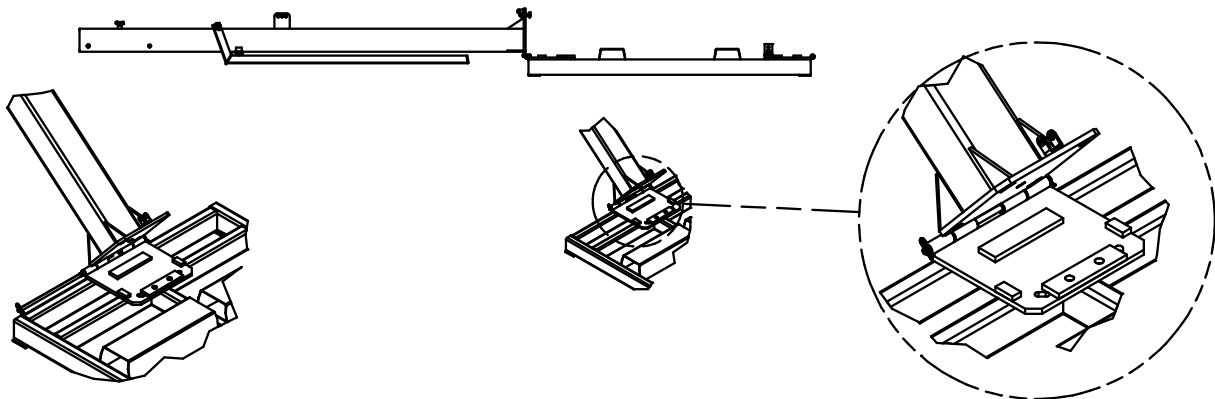
The ballast is not shown in the set up views for clarity; however, it is critical that ballast is put on the base before attempting to raise the post into the vertical position.

Install the anchor assembly (Item 7) onto the rear of the base using the two 5/8" x 2-1/2" carriage bolts, 5/8" flat washers, and 5/8" whizlock nuts.

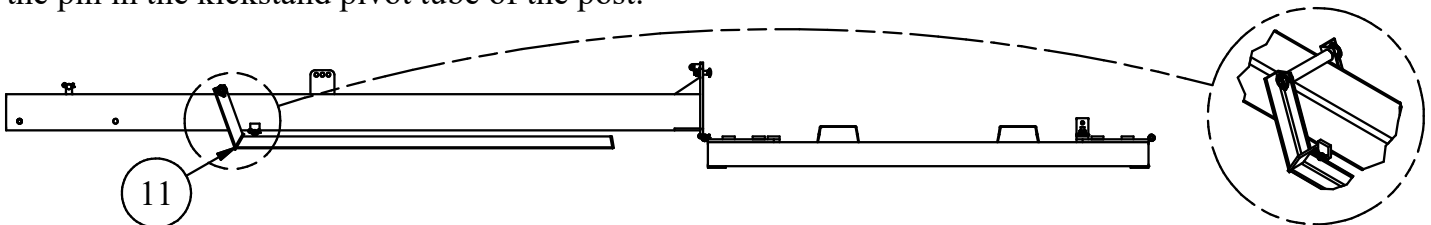
Next, install the winch assembly (Item 12) onto the rear of the base. Remove the pin from the winch base hinge point, set the winch assembly onto the base aligning the hinges and reinsert the pin.



Connect the post to the base. Remove the hinge pin from the post and align the post hinge to the base hinge and reinsert the hinge pin.



With the post connected and lying on the ground, attach the kick stand (Item 11) as shown below. Remove the pin from the kick stand, lift the post enough to slide the kickstand under and then reinsert the pin in the kickstand pivot tube of the post.



Installation and Assembly Instructions



Gared Holdings, LLC
9200 E. 146th St.
Noblesville, IN 46060

HOOPS 21™ SYSTEM

FILE LOC. Q:\Inventor Files\

DATE 6/20/2014

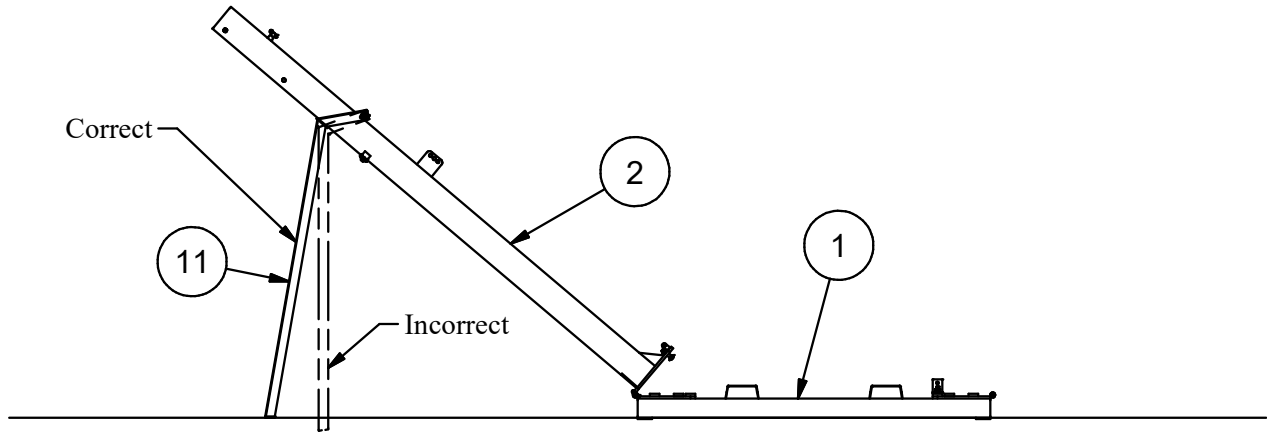
SHT. NO. 9 OF 21

PART NO. 551751181

REV A

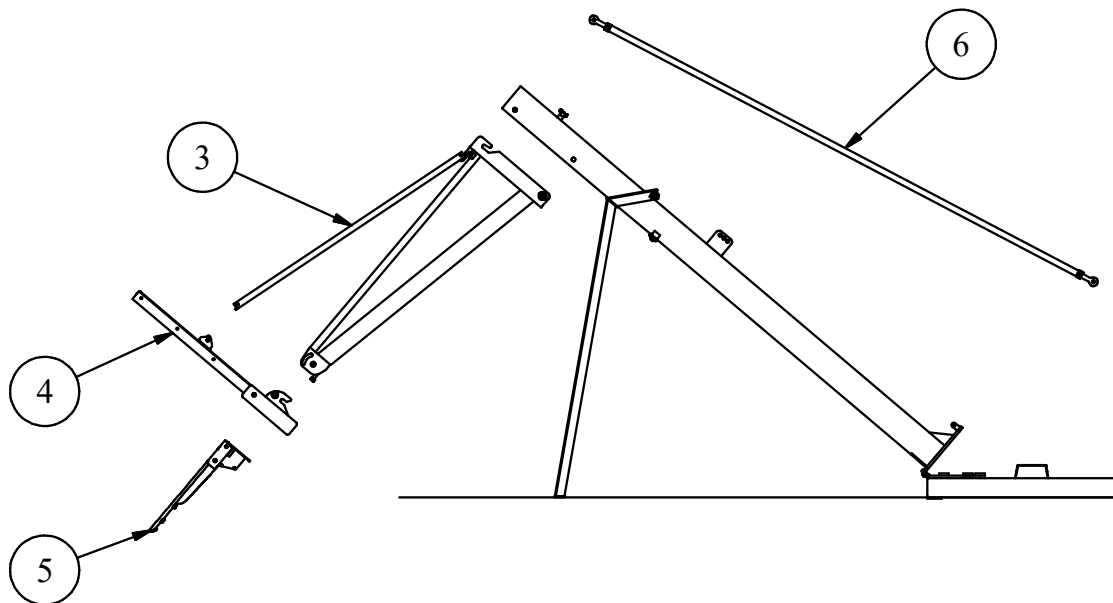
Section 5 - Setup Instructions

One person should lift the free end of the post while the second person rotates the kick stand into the setup position. make sure all hands, arms, and fingers are clear of any pinch points. Rotate the post up until the kick stand can be moved into the position shown below. Make sure the kick stand is fully rotated out until contacting the post to provide a solid stand for the post as shown.



With the post supported by the kick stand, the arm assembly (Item 3), backboard assembly (Item 4), goal (Item 5), and brace assembly (Item 6) can now be installed.

Install the arm first then the backboard followed by the goal and the brace last. Refer to the next page for more detailed information on installing these components.



Installation and Assembly Instructions



Gared Holdings, LLC
9200 E. 146th St.
Noblesville, IN 46060

HOOPS 21™ SYSTEM

FILE LOC. Q:\Inventor Files\

DATE

6/20/2014

SHT. NO.

10 OF 21

PART NO.

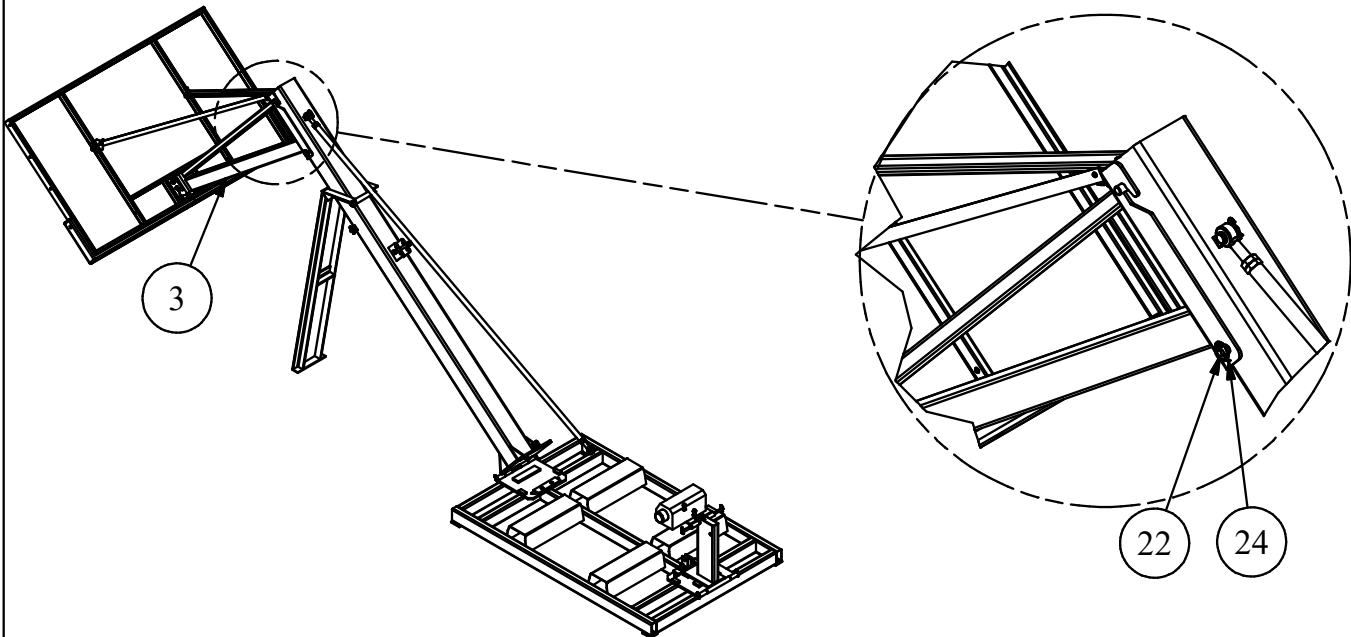
551751181

REV

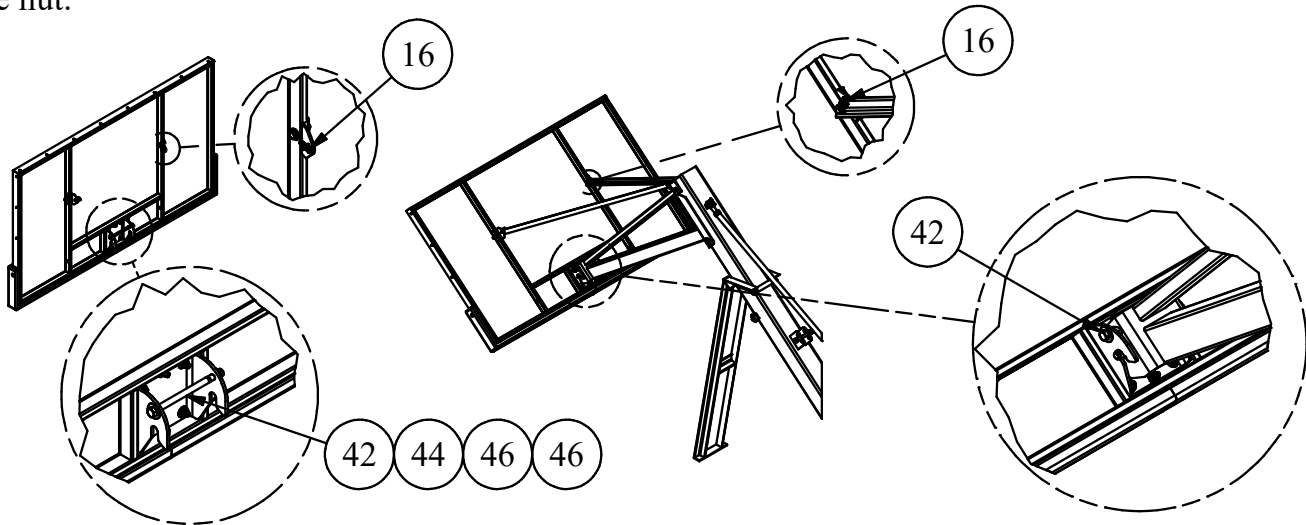
A

Section 5 - Setup Instructions

Remove the long pin (Item 22) from the bottom hole in the arm subassembly frame. Lift the arm subassembly up and slide the hooks over the stub pins at the top of the post. Hold the arm with the U-frame against the post and insert the long pin through the lower arm frame hole and the hole on the post. Attach the retainer pins (Item 24) to both ends of the long pin in the arm frame.



Remove the retainer bolt (Item 42), washers (Item 46), and nut (Item 44) from the quick connect mounting bracket on the backboard. Set the retainer bolt, washers, and nut aside for later use. Two people will be required to lift the backboard and slide the quick connect bracket onto the end of the arm. Once the board is fully seated on the arm pins, rotate the board up and remove the Hitch Pin (Item 16) from the brackets at the vertical tubes of the backboard. Slide the upper arm angle onto the bracket pin at each side of the board and secure with the hitch pin. Install the retainer bolt removed earlier into the quick connect bracket hole and through the slot in the arm bracket. Do not overtighten the nut.



Installation and Assembly Instructions



Gared Holdings, LLC
9200 E. 146th St.
Noblesville, IN 46060

HOOPS 21™ SYSTEM

FILE LOC. Q:\Inventor Files\

DATE

6/20/2014

SHT. NO.

11 OF 21

PART NO.

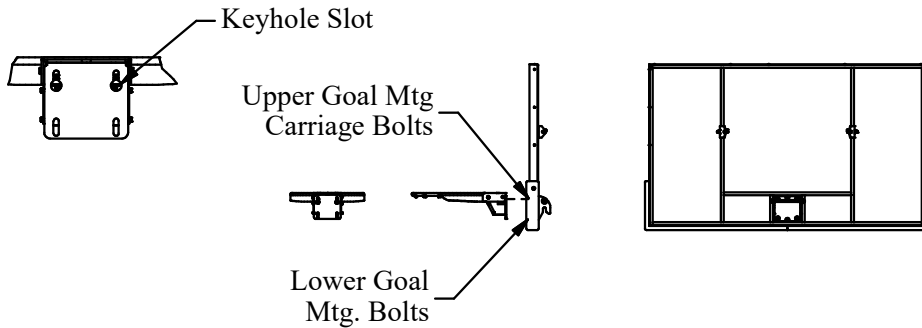
551751181

REV

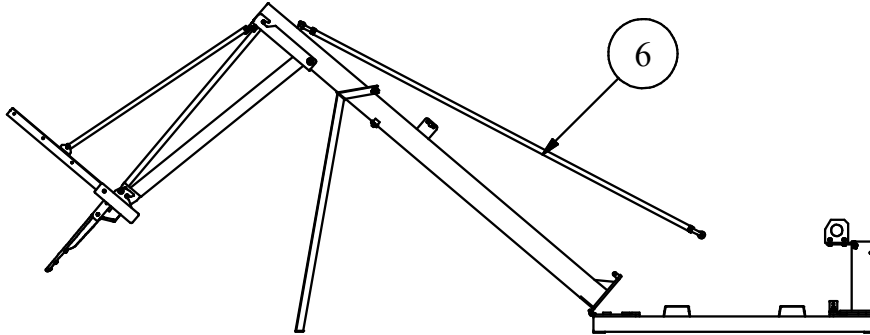
A

Section 5 - Setup Instructions

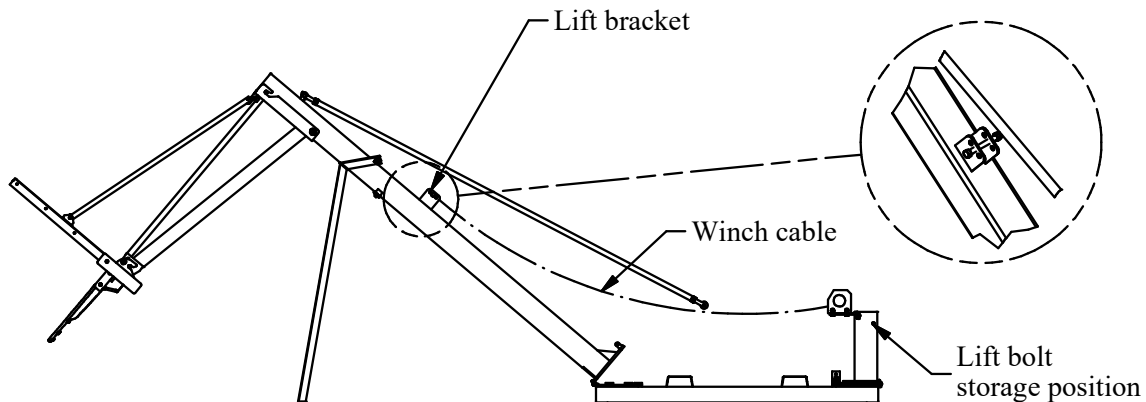
Remove the two lower goal bolts from the backboard goal mounting plate. Slide the goal key slots over the upper carriage bolts and then reinstall the lower goal mounting bolts. Tighten the upper and lower goal mounting bolt nuts securely.



Install one end of the brace (Item 6) onto the upper brace connection of the post. To install, remove the hitch pin (Item 16) and the clevis pin. Insert one end of the brace into the clevis and reinstall the clevis pin and hitch pin.



Remove the 5/8" x 5-1/2" bolt from the storage position on the winch base and install this bolt in the center hole of the lifting bracket on the post. Connect the winch to an electrical outlet and extend the cable far enough to hook over the bolt just installed on the post lifting bracket.



Installation and Assembly Instructions



Gared Holdings, LLC
9200 E. 146th St.
Noblesville, IN 46060

HOOPS 21™ SYSTEM

FILE LOC. Q:\Inventor Files\

DATE 6/20/2014

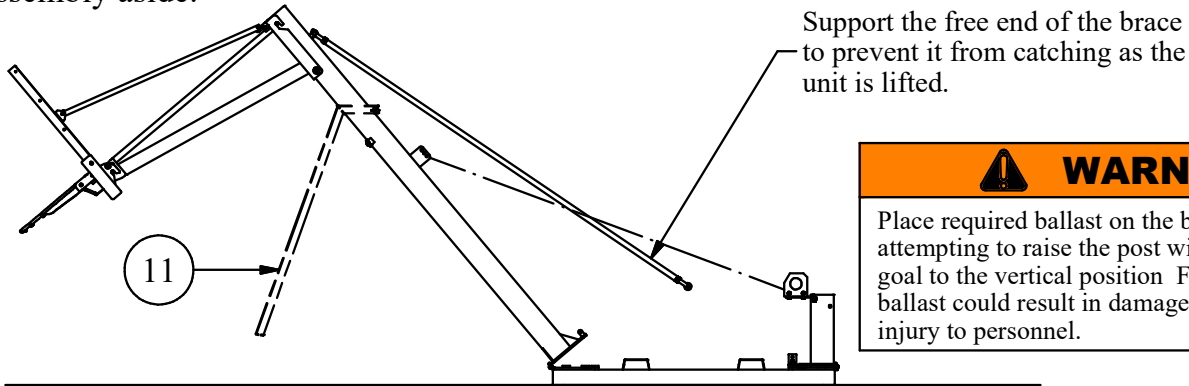
SHT. NO. 12 OF 21

PART NO. 551751181

REV A

Section 5 - Setup Instructions

Remove the two 5/8" carriage bolts, washers, and nuts (Items 18,19, & 20) from the base plate of the post. Also remove the hitch pin and clevis pin (Items 15 & 16) from the brace attachment clevis at the base of the post. Using the winch, pull the cable tight and begin lifting the post assembly. Stop when the kickstand is just off the floor. Remove the kickstand from the post by removing the lynch pin and connection pin. Place the connection pin back into the kickstand for storage and set the kickstand assembly aside.

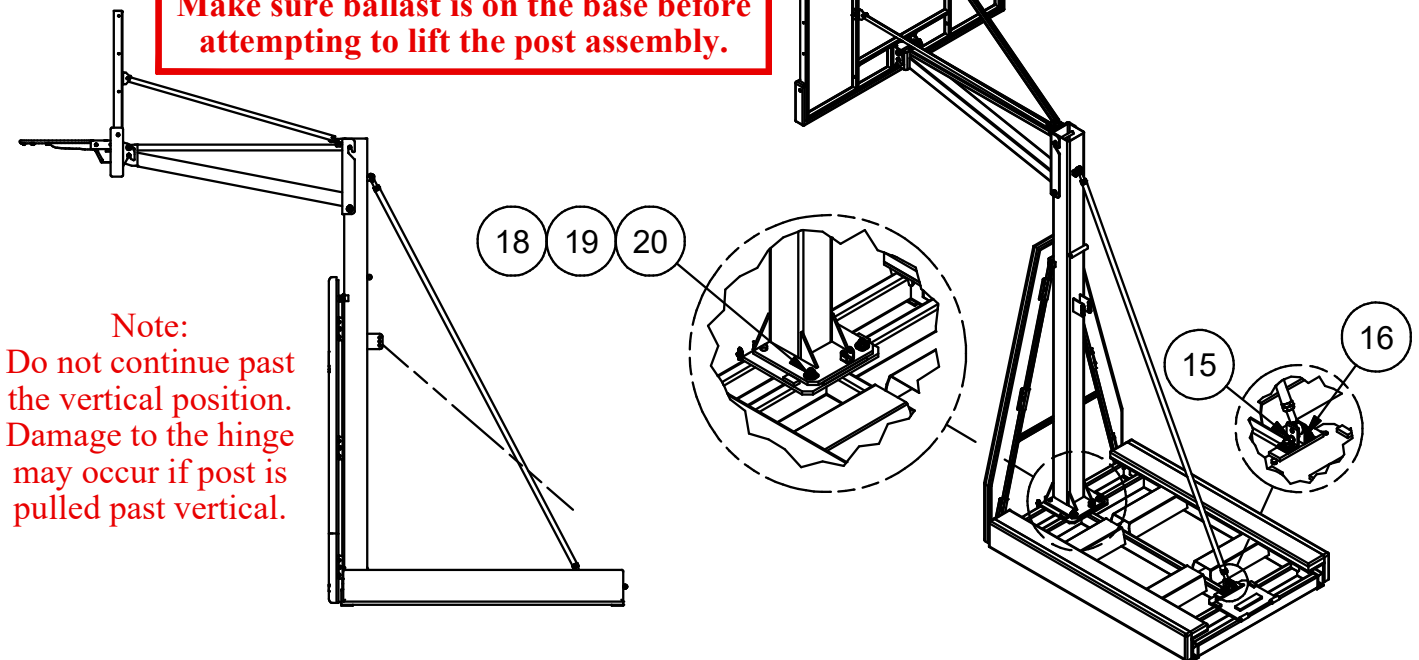


WARNING

Place required ballast on the base frame before attempting to raise the post with backboard and goal to the vertical position. Failure to install ballast could result in damage to equipment or injury to personnel.

Continue lifting the post to the vertical position with the winch. Once the post is vertical, install the two 5/8" carriage bolts through the base frame plate and the base plate of the post. Install the 5/8" washers and locknuts and tighten securely. Slide the free end of the brace into the brace clevis at the back of the base unit and secure with the clevis pin and hitch pin. Note: it may be necessary to adjust the rod end of the brace to allow the clevis pin to pass freely through the clevis and rod end.

Note:
Ballast is not show for clarity.
Make sure ballast is on the base before
attempting to lift the post assembly.



Installation and Assembly Instructions



Gared Holdings, LLC
9200 E. 146th St.
Noblesville, IN 46060

HOOPS 21™ SYSTEM

FILE LOC. Q:\Inventor Files\

DATE 6/20/2014

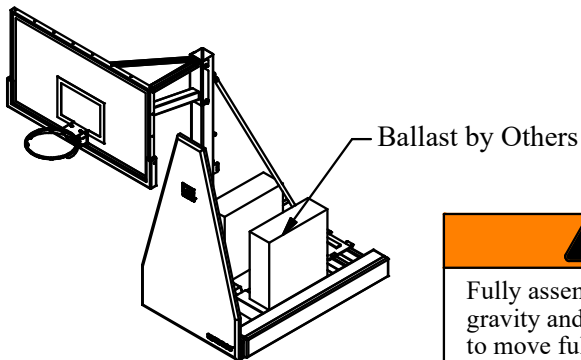
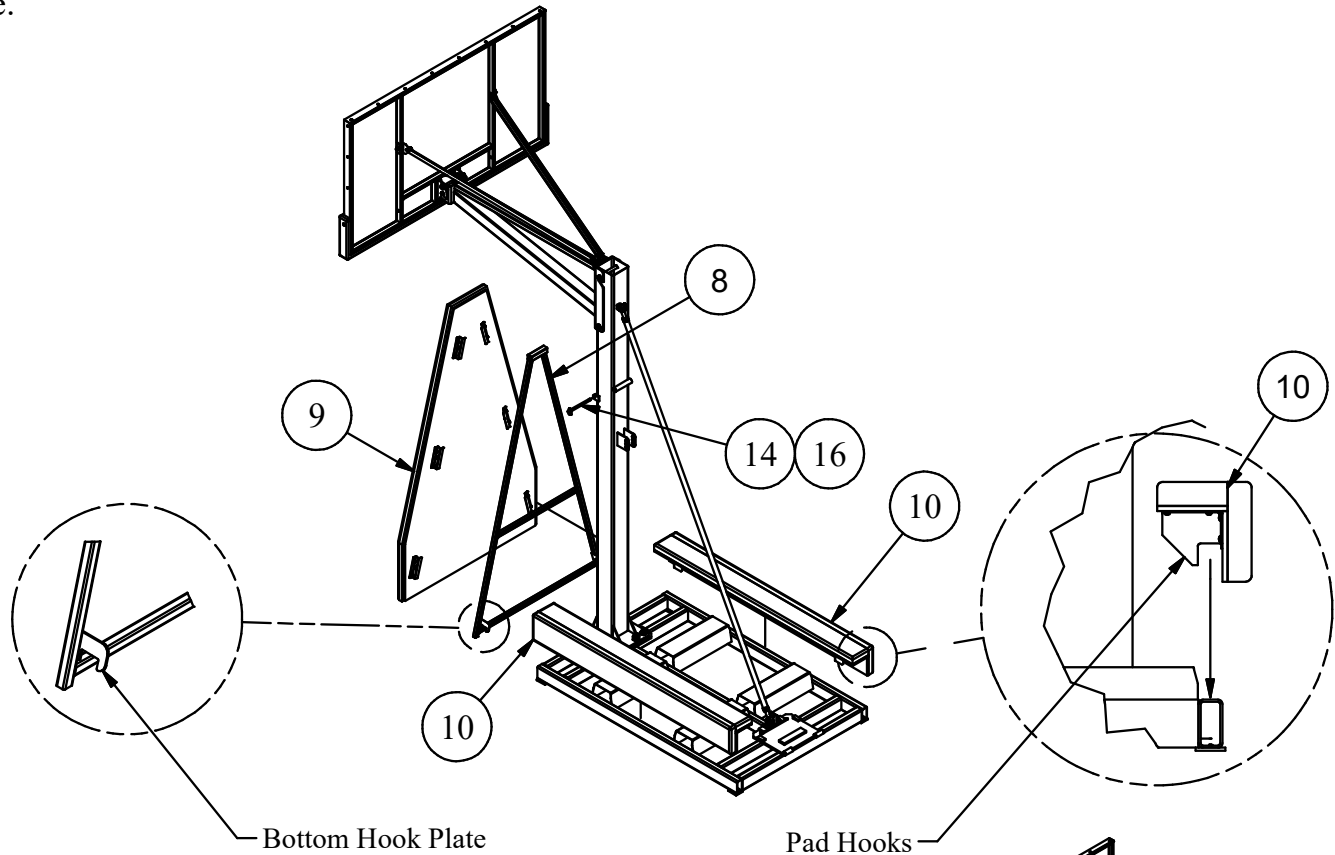
SHT. NO. 13 OF 21

PART NO. 551751181

REV A

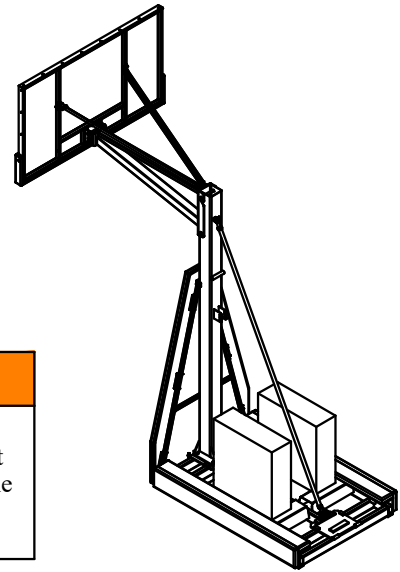
Section 5 - Setup Instructions

Remove the pad retainer pin (Item 14) from the front of the post. Set the pad frame (Item 8) onto the base making sure the bottom hook plates are located over the front rectangular tube of the base. Slide the top of the frame against the post and reinsert the pad retainer pin and hitch pin. Next place the front pad (Item 9) onto the pad frame by placing the pad clips over the outer square tubes of the pad frame. Install the side pads (Item 10) onto the base frame by sliding the pad hooks over the rectangular side rame tube.



WARNING

Fully assembled unit has a very high center of gravity and is offset to one side. Do not attempt to move fully assembled unit with lift truck. The high center of gravity could result in a tip over, damage to equipment, and injury to personnel.



Installation and Assembly Instructions



Gared Holdings, LLC
9200 E. 146th St.
Noblesville, IN 46060

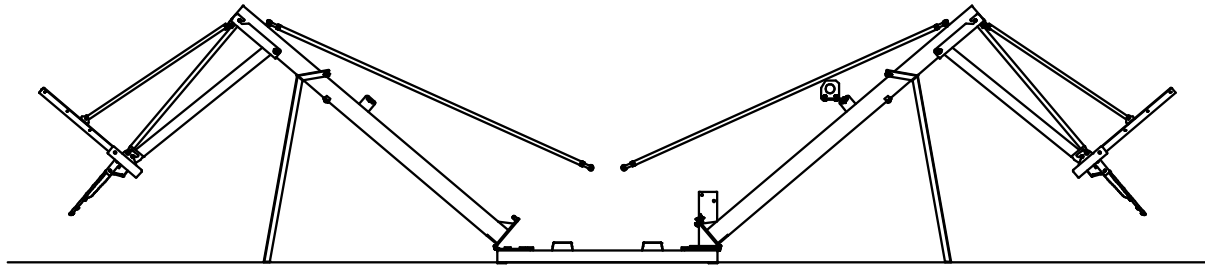
HOOPS 21™ SYSTEM			
FILE LOC. Q:\Inventor Files\			
DATE	SHT. NO.	PART NO.	REV
6/20/2014	14 OF 21	551751181	A

Section 5 - Setup Instructions

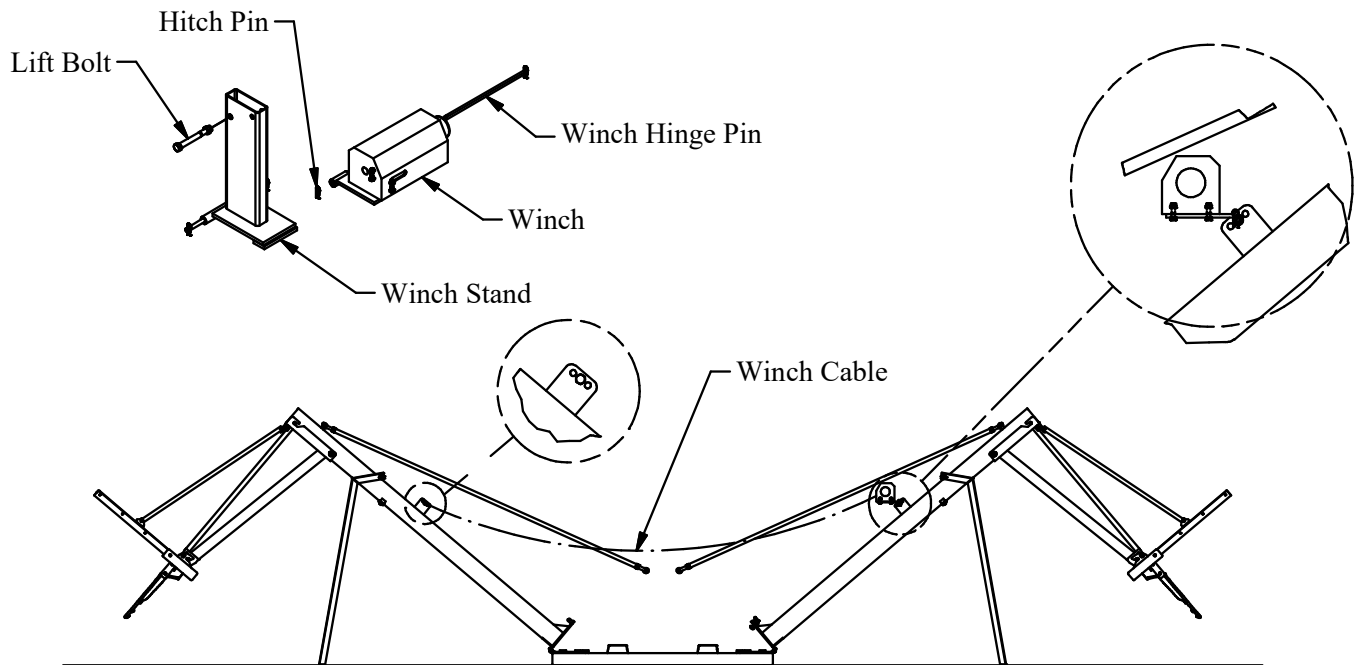
9252 Double Unit Assembly

Set up of the 9252 Double Unit is the same as the 9251 Single unit except for the winch hook up and the addition of another post assembly on the opposite end of the base.

Position the base near or at the play location and begin by assembling the posts, arms, backboard and goals. Follow the 9251 single unit set up guide beginning on page 9 to install each post assembly on each end of the base. Once each post has been installed with the arms, backboards, goals, and braces, the assembly should now look like the illustration below.



To install the winch, remove the winch from the winch stand by removing the winch hinge pin. Also remove the 5/8" lift bolt from its storage position on the winch stand. Set the stand aside and connect the winch to the center hole of the lift bracket on one of the posts using the winch hinge pin. Connect the lift bolt to the center hole of the lift bracket on the opposite post. Connect the winch to electrical power and let out enough cable to reach the lift bolt on the opposite post.



Installation and Assembly Instructions



Gared Holdings, LLC
9200 E. 146th St.
Noblesville, IN 46060

HOOPS 21™ SYSTEM

FILE LOC. Q:\Inventor Files\

DATE

6/20/2014

SHT. NO.

15 OF 21

PART NO.

551751181

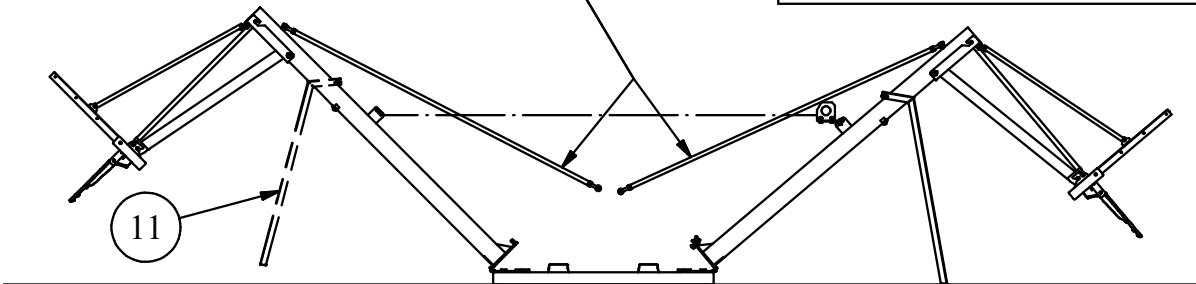
REV

A

Section 5 - Setup Instructions

Remove the two 5/8" carriage bolts, washers, and nuts (Items 18,19, & 20) from the base plate of the post. Also remove the hitch pin and clevis pin (Items 15 & 16) from the brace attachment clevis at the base of the post. Using the winch, pull the cable tight and begin lifting one post assembly. Hold the second post down on its kickstand and lift only one post at a time. Stop when the kickstand of the post being lifted is just off the floor. Remove the kickstand from the post by removing the lynch pin and connection pin. Place the connection pin back into the kickstand for storage and set the kickstand assembly aside.

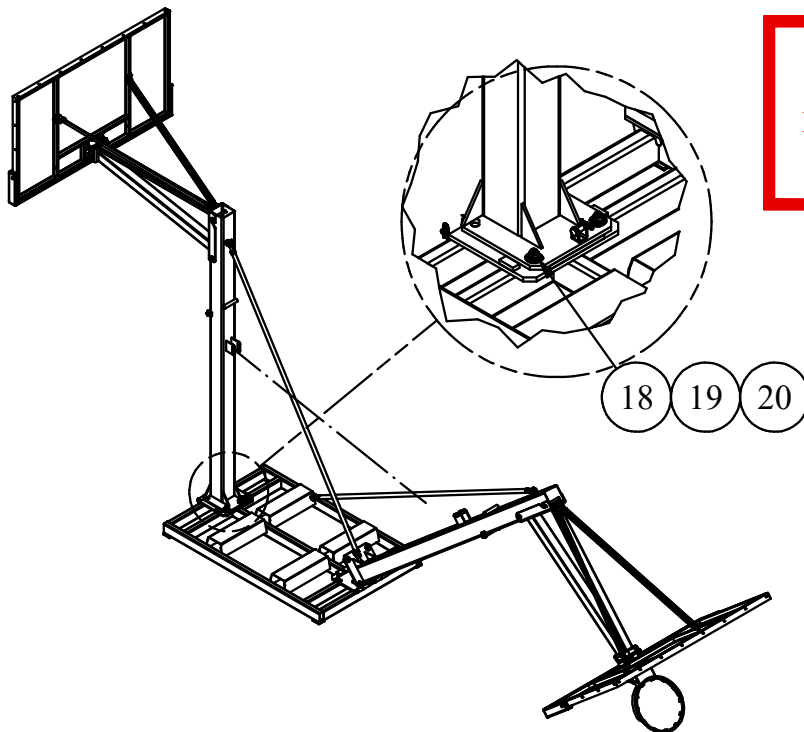
Support the free end of the brace to prevent it from catching as the unit is lifted.



WARNING

Place required ballast on the base frame before attempting to raise the post with backboard and goal to the vertical position. Failure to install ballast could result in damage to equipment or injury to personnel.

Continue lifting the post to the vertical position with the winch. Once the post is vertical, install the two 5/8" carriage bolts through the base frame plate and the base plate of the post. Install the 5/8" washers and locknuts and tighten securely.



Note:

Ballast is not show for clarity. Make sure ballast is on the base before attempting to lift the post assembly.

Note:

Do not continue past the vertical position. Damage to the hinge may occur if post is pulled past vertical.

Installation and Assembly Instructions



Gared Holdings, LLC
9200 E. 146th St.
Noblesville, IN 46060

HOOPS 21™ SYSTEM

FILE LOC. Q:\Inventor Files\

DATE 6/20/2014

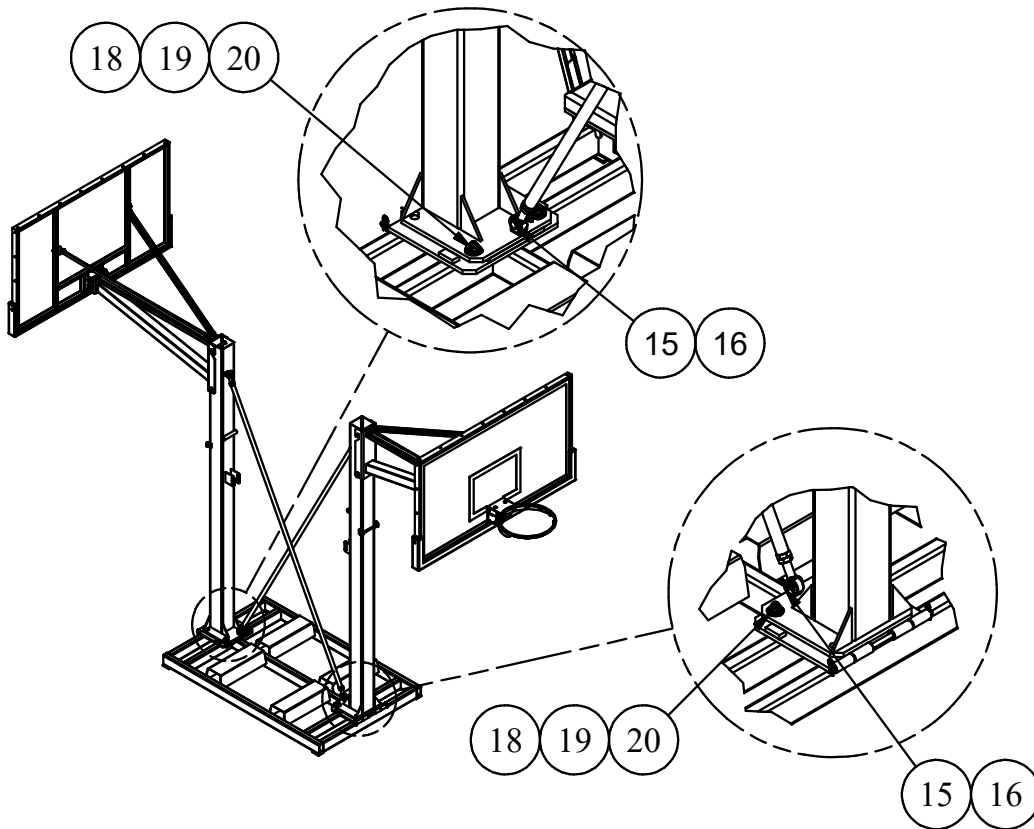
SHT. NO. 16 OF 21

PART NO. 551751181

REV A

Section 5 - Setup Instructions

Using the winch, begin lifting the second post assembly. Stop when the kickstand of the post being lifted is just off the floor. Remove the kickstand from the post by removing the lynch pin and connection pin. Place the connection pin back into the kickstand for storage and set the kickstand assembly aside. Continue lifting the post to the vertical position with the winch. Once the post is vertical, install the two 5/8" carriage bolts through the base frame plate and the base plate of the post. Install the 5/8" washers and locknuts and tighten securely. Slide the free end of the brace into the brace clevis at base of the opposite post and secure with the clevis pin and hitch pin. Note: it may be necessary to adjust the rod end of the brace to allow the clevis pin to pass freely through the clevis and rod end.



Remove the winch and winch lift bolt from the post lift brackets. Reassemble the winch onto the winch stand and install the 5/8" lift bolt into storage hole on the winch base.

Installation and Assembly Instructions



Gared Holdings, LLC
9200 E. 146th St.
Noblesville, IN 46060

HOOPS 21™ SYSTEM

FILE LOC. Q:\Inventor Files\

DATE 6/20/2014

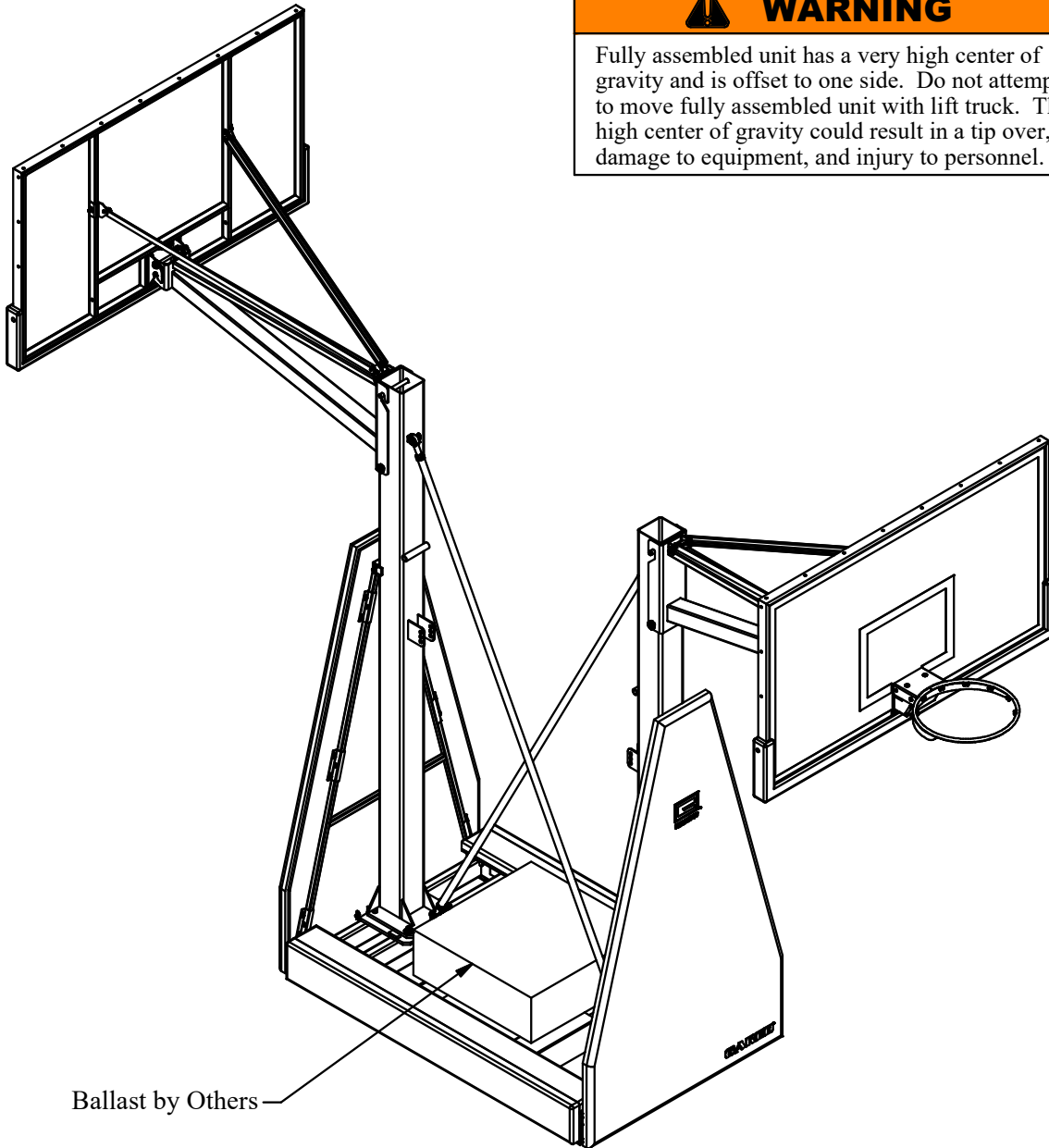
SHT. NO.
17 OF 21

PART NO.
551751181

REV
A

Section 5 - Setup Instructions

Installing the pads is the same as for the single unit except, there will be a post pad and frame for each post as well as the side pades. Refer to page 14 for pad installation details.



<b style="font-size: 1.2em; margin-left: 10px;">WARNING
<p>Fully assembled unit has a very high center of gravity and is offset to one side. Do not attempt to move fully assembled unit with lift truck. The high center of gravity could result in a tip over, damage to equipment, and injury to personnel.</p>

Installation and Assembly Instructions

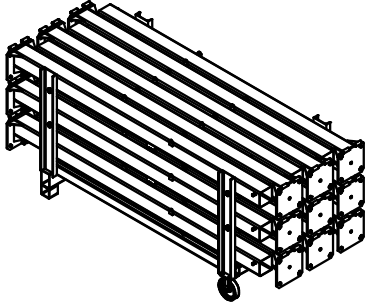


Gared Holdings, LLC
9200 E. 146th St.
Noblesville, IN 46060

HOOPS 21™ SYSTEM			
FILE LOC. Q:\Inventor Files\			
DATE 6/20/2014	SHT. NO. 18 OF 21	PART NO. 551751181	REV A

Section 6 - Storage and Transport

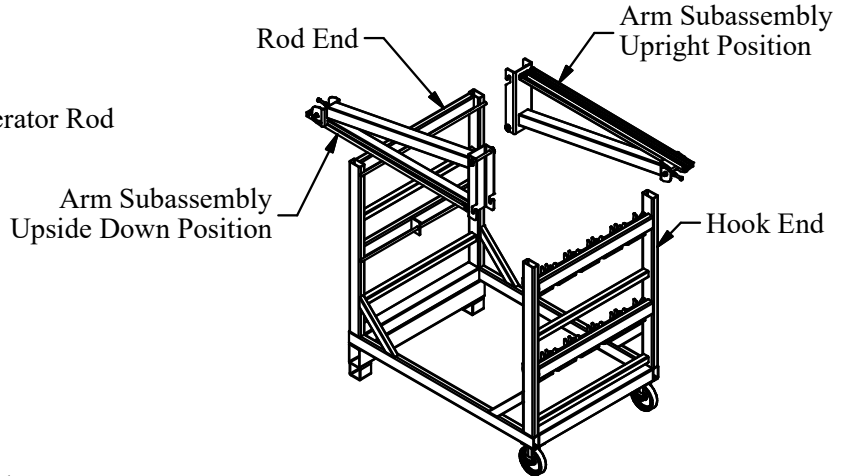
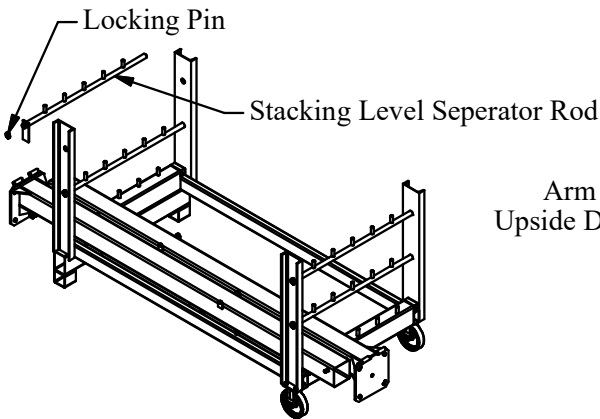
Storage of the systems is normally accomplished by stacking the subassemblies in groups. (i.e. a post stack, an arm stack, a board stack, etc.). However, optional storage carts for the posts and arms are available. The optional post cart will hold up to 18 posts and the optional arm cart will hold up to 20 arms. The following illustrations will describe how to load both the optional post cart and optional arm cart.



Optional Post Cart Fully Loaded
18 posts per cart



Optional Arm Cart Fully Loaded
20 arms per cart



To load the post cart, first remove the level separator rods. Remove the locking pin from the end of the rod and then slide the rod out of uprights on the cart.

Begin loading the post on the lowest level between the vertical guide pins. Alternate the position of each post to avoid interference with the post base plates. Once all six posts have been placed on the bottom, install the second level separator rod and place six posts on the second level. Install the third level separator bars and continue to place posts onto the top level.

To load the arm cart, place five arms upside down on the lower level of hooks at the hook end of the cart. Next, place five arms upright position on the lower rod of the rod end of the cart.

Load five arms upside down on the upper hooks of the hook end of the cart. Then place five arms in the upright position on the top rod of the rod end of the cart.

Note: The retaining pins of the arms must be installed in the arms in order for the arm to hang upside down on the hooks at the hook end of the cart.

Installation and Assembly Instructions



Gared Holdings, LLC
9200 E. 146th St.
Noblesville, IN 46060

HOOPS 21™ SYSTEM

FILE LOC. Q:\Inventor Files\

DATE 6/20/2014

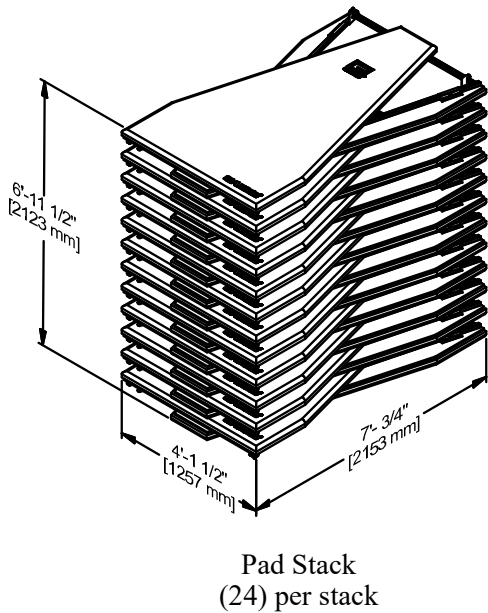
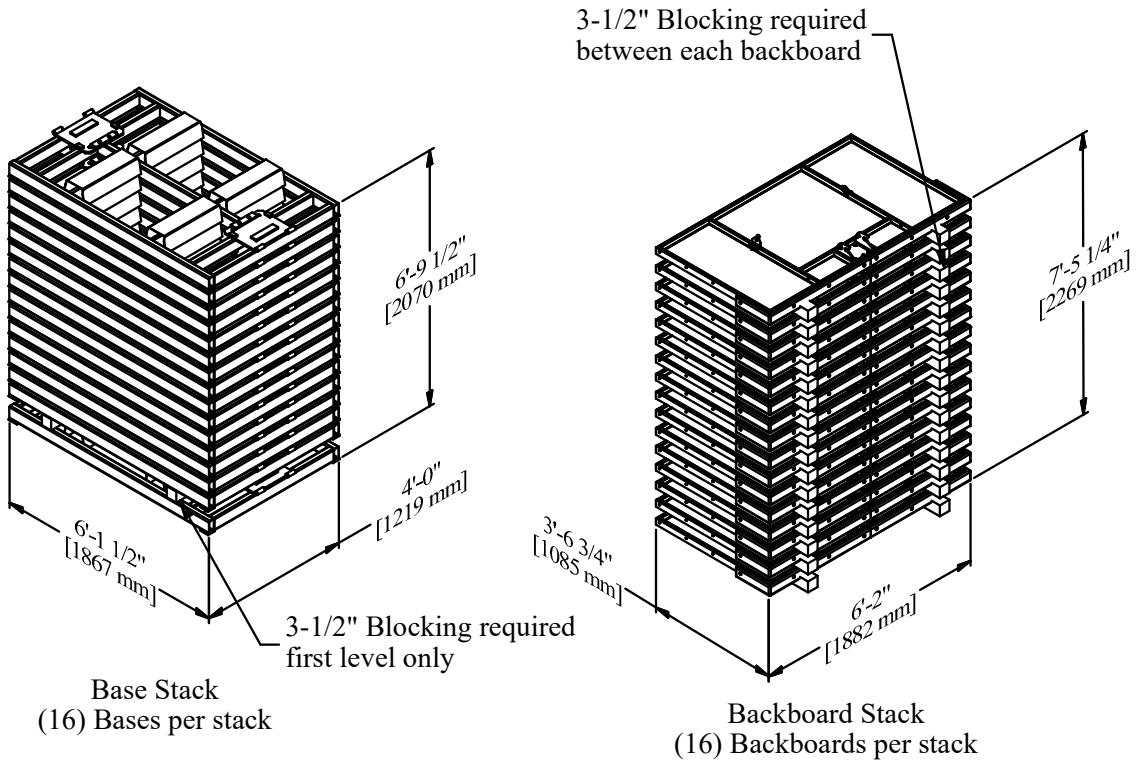
SHT. NO. 19 OF 21

PART NO. 551751181

REV A

Section 6 - Storage and Transport

The following illustration show the base stacking and board stacking configuration.



Installation and Assembly Instructions



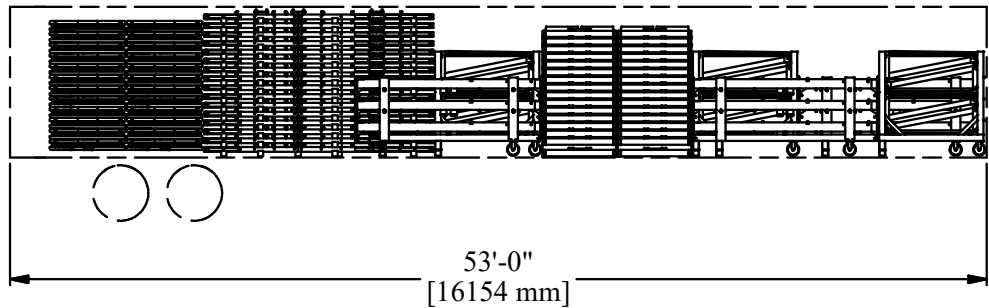
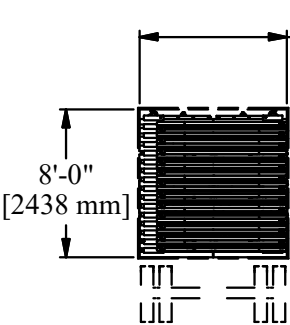
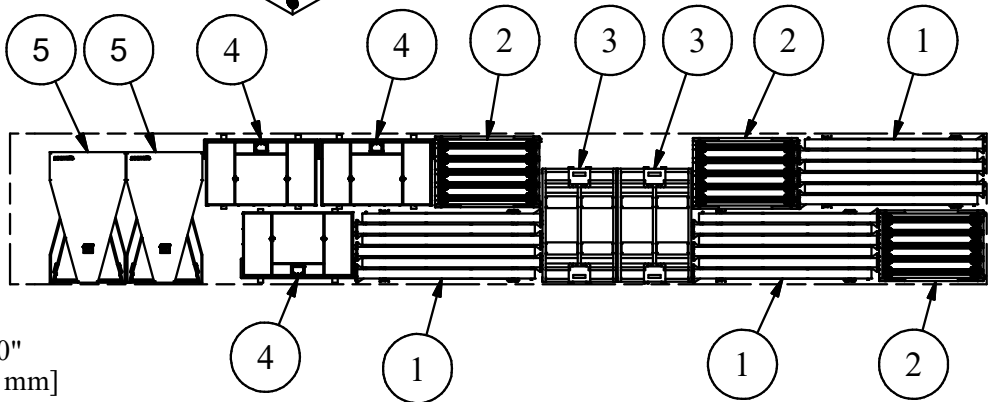
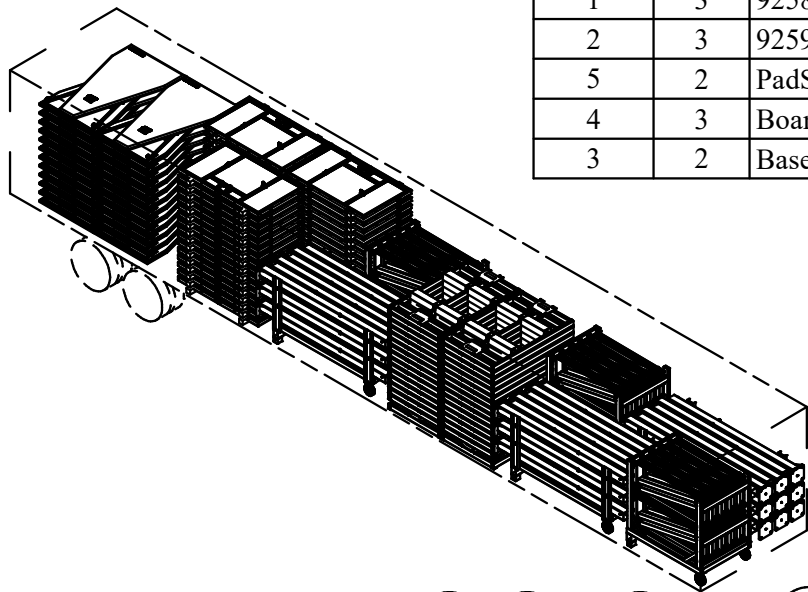
Gared Holdings, LLC
9200 E. 146th St.
Noblesville, IN 46060

HOOPS 21™ SYSTEM			
FILE LOC. Q:\Inventor Files\			
DATE 6/20/2014	SHT. NO. 20 OF 21	PART NO. 551751181	REV A

Section 6 - Storage and Transport

Trailer loading shown is typical for 24 court systems. The goals, brace tubes, base side pads, winch assemblies, and kickstands can be loaded into the trailer in the open spaces.

PARTS LIST			
ITEM	QTY	PART NUMBER	DESCRIPTION
1	3	9258-18	CART, HOOPS 21 POST
2	3	9259-20	CART, HOOPS 21 ARM, 5FT EXT
5	2	PadStack24	PAD ASSY, STACK OF 24
4	3	Board Stack	BOARD ASS'Y - 16 STACKED
3	2	Base Stack	BASE WELDMENTS - 16 STACKED



Installation and Assembly Instructions



Gared Holdings, LLC
9200 E. 146th St.
Noblesville, IN 46060

HOOPS 21™ SYSTEM			
FILE LOC. Q:\Inventor Files\			
DATE 6/20/2014	SHT. NO. 21 OF 21	PART NO. 551751181	REV A