

ADJUSTABLE JUNIOR JAMMER INSTALLATION INSTRUCTIONS

C	MJP	02/27/23
B	JJC	03/26/19
A	MJP	3/14/2019
REV	BY	DATE

Installation and Assembly Instructions



Gared Holdings, LLC
9200 E. 146th St.
Noblesville, IN 46060

ADJUSTABLE JUNIOR JAMMER			
FILE LOC. Q:\Inventor Files_xxxx-xx-xx\JJ5 MODEL			
DATE	SHT. NO.	PART NO.	REV
3/14/2019	1 OF 6	JJ5A	C

NO.	DESCRIPTION	QTY.
1	BACKBOARD (1320B)	1
2	GOAL (28WO)	1
3	NET (PACKED WITH GOAL)	1
4	UPPER FRAME ASSEMBLY	1
5	LOWER FRAME CONNECTOR	1
6	UPPER FRAME CONNECTOR	1
7	HAND KNOB M12 X 50mm	2
8	HAND KNOB M12 X 60mm	2
9	HEX HEAD M8 X 70mm	4
10	HEX HEAD M8 X 60mm	2
11	M8 FLAT WASHER	6
12	M8 FLANGE NUT	10
13	CARRIAGE BOLT M8 X 60mm	4
14	BACKBOARD FRAME ASSEMBLY	1
15	JAM NUT M12	2

⚠ WARNING

Do not install or use this unit when subject to the possibility of users hanging on the rim or Slam Dunking.

Hanging on the rim or Slam Dunking can cause the unit to fall resulting in damage to equipment and/or serious injury to personnel.

⚠ WARNING

Hand knobs must safely secure the upper frame to the existing goal. The point of the hand knob **MUST** contact the goal beneath the welded support flange or goal rim in order to properly lock in place.

Failure to secure hand knobs in position could allow the unit to fall causing damage to equipment and/or serious injury to personnel.

⚠ CAUTION

Do not install or use this unit on portable backstops that are NOT securely anchored to the floor.

Portable backstops that are not anchored to the floor can tip during play causing damage or injury to personnel.

This unit should be assembled and installed by adults. Once installed properly onto a permanent existing basketball goal, play should be supervised by an adult. Supervision of play is required to prevent players from hanging on the rim or slam dunking on the unit. Hanging on the rim or slam dunking can damage the unit and in extreme cases cause injury to personnel.

ASSEMBLY INSTRUCTIONS

One unit includes one backboard, one goal (with net), one upper framework, one lower framework, one hardware kit in three boxes. Check instructions and packing instructions to be certain no parts are missing.

- 1) Using carriage bolts M8x60mm (13) and M8 flange nuts (12), assemble backboard frame assembly (14) to backboard (1).
- 2) Assemble net (3) to goal (2), then assemble goal (2) to backboard (1) using hex head M8x70mm (9) on top two holes and hex head M8x60MM (10) on bottom two holes of goal with M8 flat washers (11) and M8 flange nuts (12) as shown in detail.
- 3) Assemble lower frame connector (6) to backboard frame assembly (14) using hex head M8x70mm (9). Assemble upper frame connector (5) to upper frame assembly (4) using hex head M8x70mm (9), M8 flat washer (11), and M8 flange nut (12) as shown on page 5. Install hand knob (7) on upper frame connector (6) and upper frame assembly (4).
- 4) With the help of an assistant, place assembled unit onto permanent goal hoop. Ensure lower frame connector (5) is engaged in upper frame connector (6) as shown in illustration, insert and tighten hand knob M12 x 50mm (7) and secure with jam nut M12 (15) on both sides.

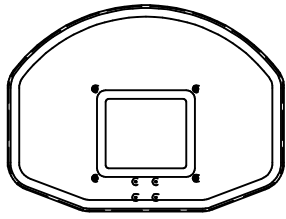
IMPORTANT NOTE: KEEP UPPER AND LOWER FRAME CONNECTORS (5) & (6) JOINED TO THE UPPER FRAME ASSEMBLY (4) AND CONNECT THIS ADJUSTABLE BRACE TO THE BACKBOARD FRAME ASSEMBLY (14). NOTE THAT FOR THE GOAL HEIGHTS FROM 7 ½ FT TO 9 FT THE LOWER ANCHOR POSITION ON THE BACKBOARD FRAME IS USED, FOR GOAL HEIGHT OF 7 FT (LOWEST HEIGHT) THE UPPER ANCHOR POSITION ON THE BACKBOARD FRAME IS USED. USE THE ADJUSTABLE BRACE TO PLUMB THE BACKBOARD AND LEVEL THE GOAL.

Installation and Assembly Instructions

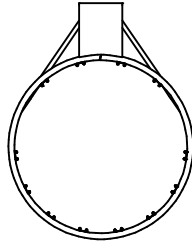


Gared Holdings, LLC
9200 E. 146th St.
Noblesville, IN 46060

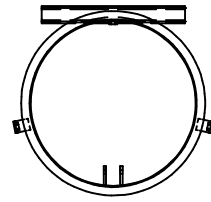
ADJUSTABLE JUNIOR JAMMER			
FILE LOC. Q:\Inventor Files_xxxx-xx-xx\JJ5 MODEL			
DATE	SHT. NO.	PART NO.	REV
3/14/2019	2 OF 6	JJ5A	C



ITEM (1)
BACKBOARD
ONE EA.



ITEM (2) & (3)
GOAL AND NET
ONE EA.



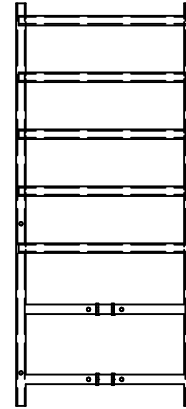
ITEM (4)
UPPER FRAME ASSEMBLY
ONE EA.



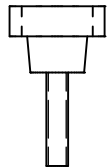
ITEM (5)
LOWER FRAME CONNECTOR
ONE EA.



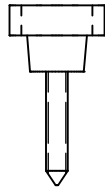
ITEM (6)
UPPER FRAME CONNECTOR
ONE EA.



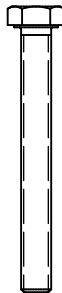
ITEM (14)
BACKBOARD FRAME ASSEMBLY
ONE EA.



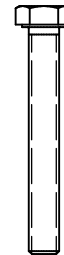
ITEM (7)
HAND KNOB M12 X 50mm
TWO EA.



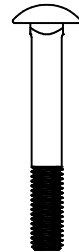
ITEM (8)
HAND KNOB M12 X 60mm
TWO EA.



ITEM (9)
HEX HEAD M8 X 70mm
FOUR EA.



ITEM (10)
HEX HEAD M8 X 60mm
TWO EA.



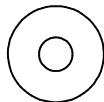
ITEM (13)
CARRIAGE BOLT M8 X 60mm
FOUR EA.



ITEM (12)
M8 FLANGE NUT
TEN EA.



ITEM (11)
M8 FLAT WASHER
SIX EA.



ITEM (15)
M12 JAM NUT
TWO EA.



Installation and Assembly Instructions



Gared Holdings, LLC
9200 E. 146th St.
Noblesville, IN 46060

ADJUSTABLE JUNIOR JAMMER

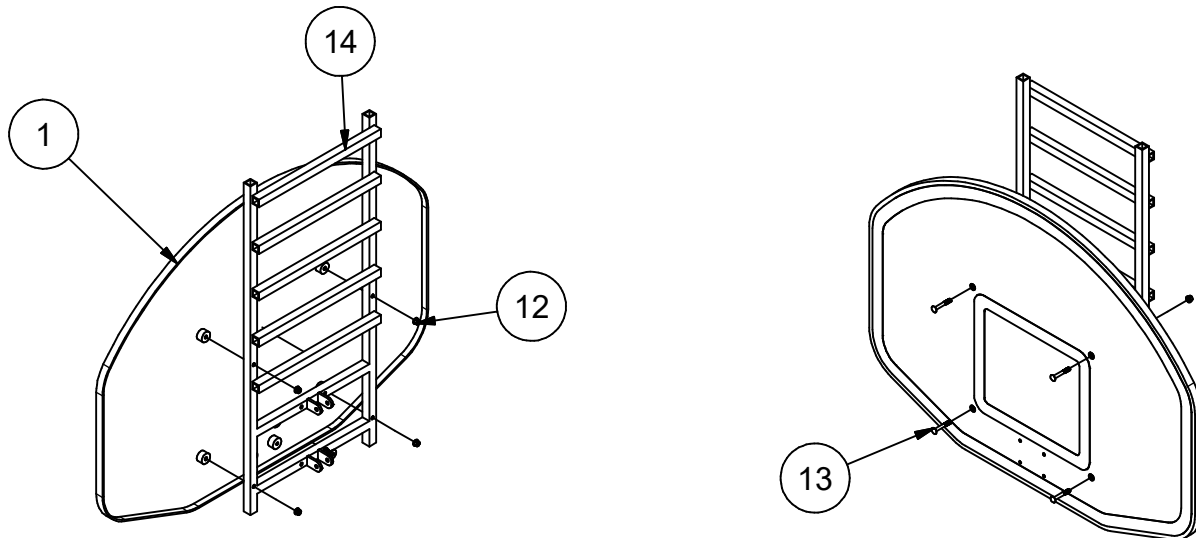
FILE LOC. Q:\Inventor Files_xxxx-xx-xx\JJ5 MODEL

DATE
3/14/2019

SHT. NO.
3 OF 6

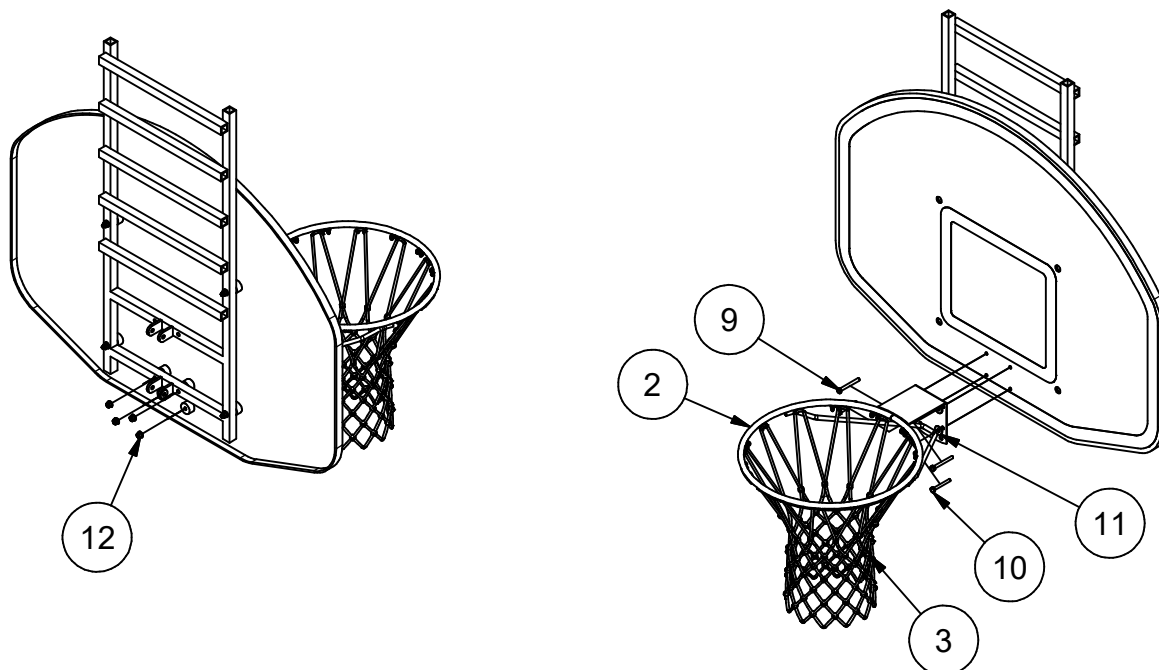
PART NO.
JJ5A

REV
C



STEP ONE

Using carriage bolts M8x60mm (13) and M8 flange nuts (12), assemble backboard frame assembly (14) to backboard (1).



STEP TWO

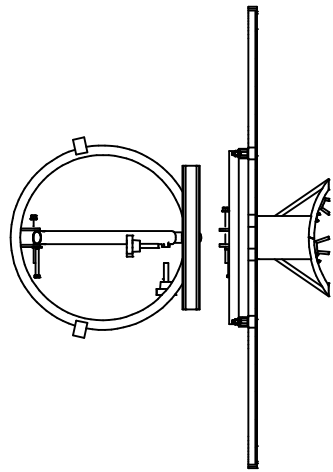
Assemble net (3) to goal (2), then assemble goal (2) to backboard (1) using hex head M8x70mm (9) on top two holes and hex head M8x60MM (10) on bottom two holes of goal with M8 flat washers (11) and M8 flange nuts (12) as shown in detail.

Installation and Assembly Instructions

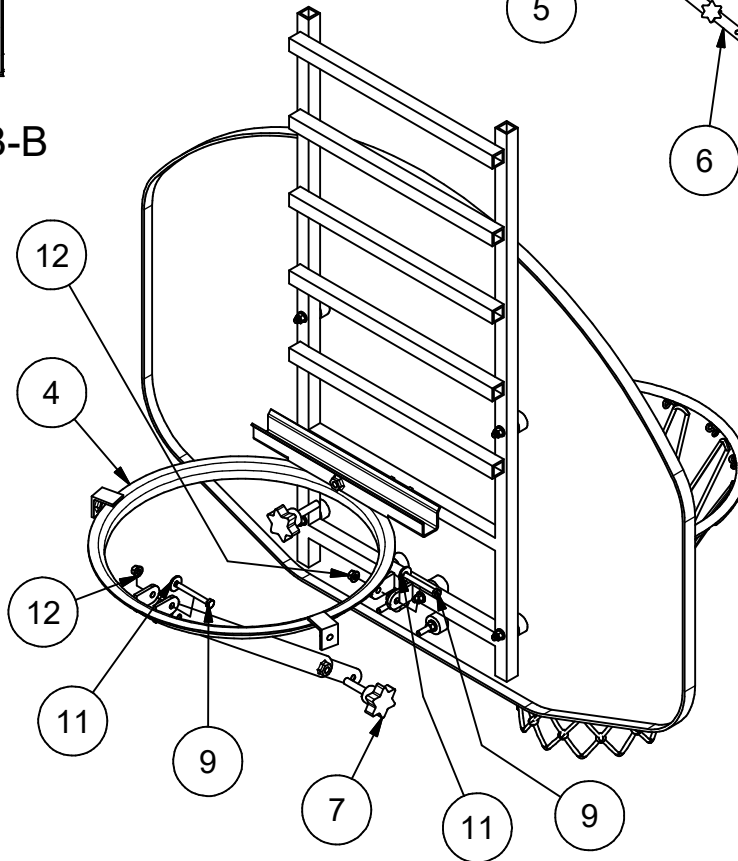
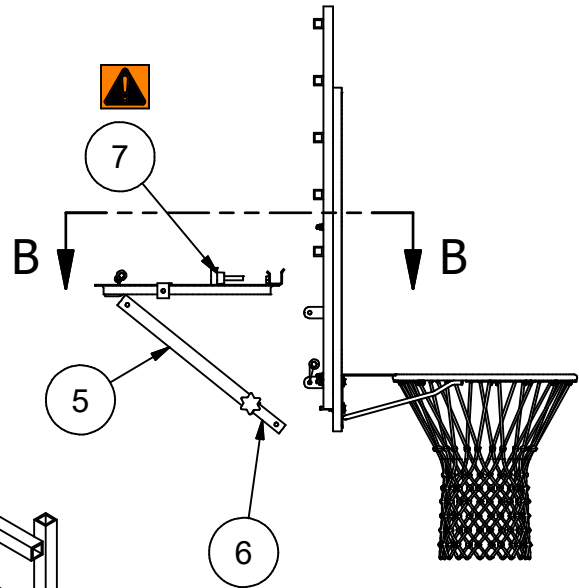


Gared Holdings, LLC
9200 E. 146th St.
Noblesville, IN 46060

ADJUSTABLE JUNIOR JAMMER			
FILE LOC. Q:\Inventor Files_xxxx-xx-xx\JJ5 MODEL			
DATE	SHT. NO.	PART NO.	REV
3/14/2019	4 OF 6	JJ5A	C



SECTION B-B



⚠ WARNING

Hand knob must safely secure the ladder frame to the upper frame. Make sure the hand knob is securely tightened in order to properly hold the ladder frame in place.

Failure to secure hand knob in position could allow the ladder frame to come out of the track and fall causing damage to equipment and/or serious injury to personnel.

STEP THREE

Assemble lower frame connector (6) to backboard frame assembly (14) using hex head M8x70mm (9).

Assemble upper frame connector (5) to upper frame assembly (4) using hex head M8x70mm (9), M8 flat washer (11) and M8 flange nut (12) as shown above.

Install hand knob (7) on upper frame connector (6) and upper frame assembly (4)

Installation and Assembly Instructions



Gared Holdings, LLC
9200 E. 146th St.
Noblesville, IN 46060

ADJUSTABLE JUNIOR JAMMER

FILE LOC. Q:\Inventor Files_xxxx-xx-xx\JJ5 MODEL

DATE

3/14/2019

SHT. NO.

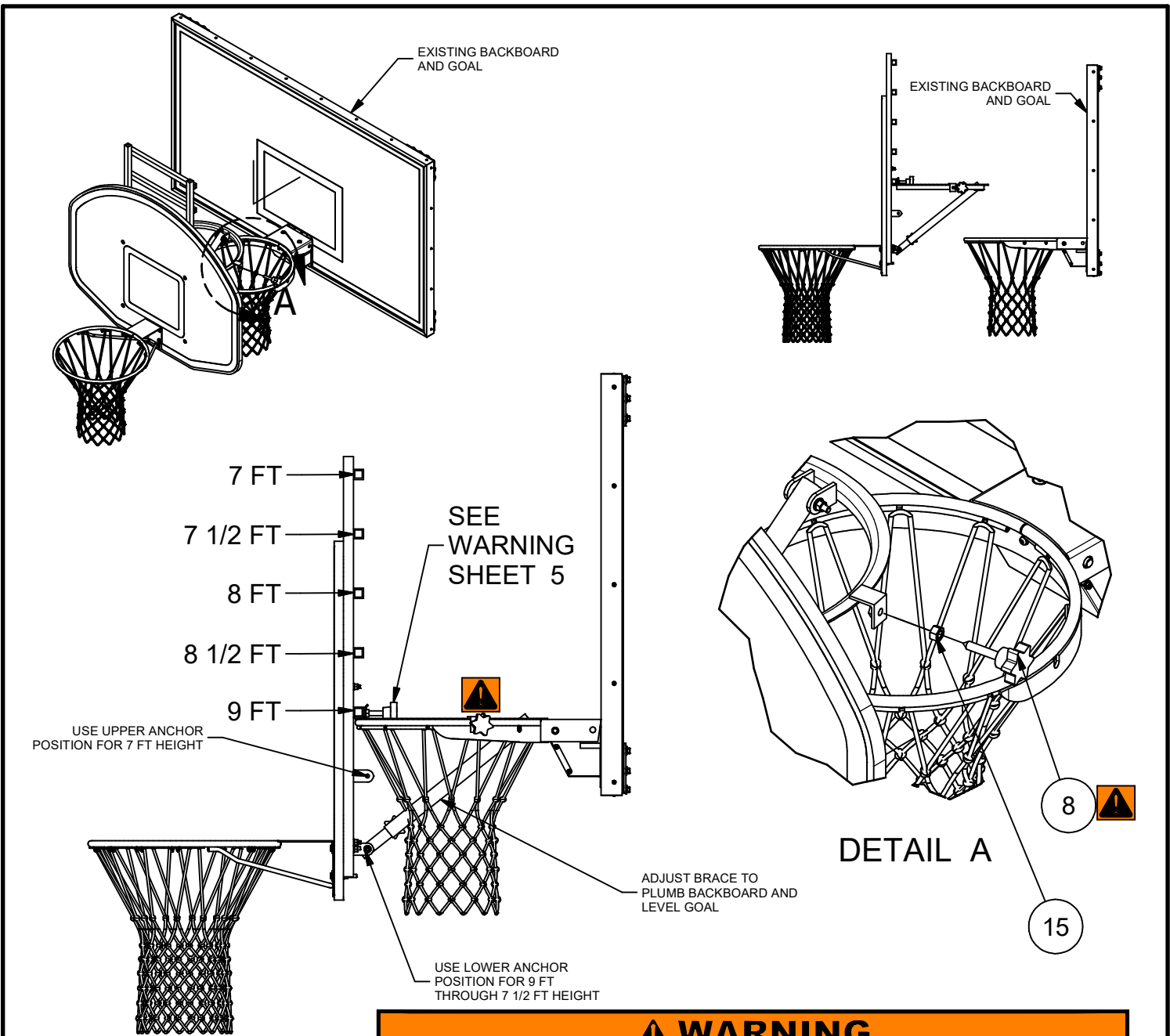
5 OF 6

PART NO.

JJ5A

REV

C



⚠ WARNING

Hand knobs must safely secure the upper frame to the existing goal. The point of the hand knob **MUST** contact the goal beneath the welded support flange or goal rim in order to properly lock in place.

Failure to secure hand knobs in position could allow the unit to fall causing damage to equipment and/or serious injury to personnel.

STEP FOUR

With the help of an assistant, place assembled unit onto permanent goal hoop. Ensure lower frame connector (5) is engaged with upper frame connector (6) as shown in illustration, insert and tighten hand knob M12 x 50mm (7). Secure unit into place as shown in detail "A" and fully tighten hand knob M12x50mm (7) and secure with jam nut M12 (15) on both sides.

Installation and Assembly Instructions



Gared Holdings, LLC
9200 E. 146th St.
Noblesville, IN 46060

ADJUSTABLE JUNIOR JAMMER			
FILE LOC. Q:\Inventor Files_xxxx-xx-xx\JJ5 MODEL			
DATE	SHT. NO.	PART NO.	REV
3/14/2019	6 OF 6	JJ5A	C