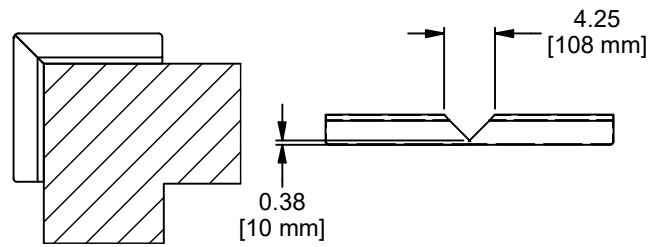
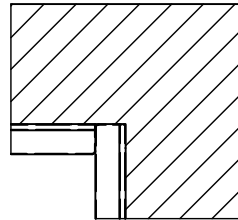


FURRING STRIPS BY OTHERS
HIGHLY RECOMMENDED



OUTSIDE CORNER DETAIL

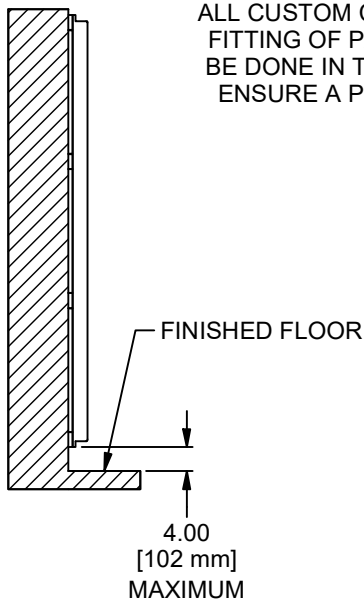


INSIDE CORNER
LAP DETAIL

Part number	"A" Dim	"B" Dim
4110-STD	5'-10" [1778mm]	6'-0" [1829 mm]
4110-NSD	6'-10" [2082 mm]	7'-0" [2134mm]
4110-NSD	7'-10" [2388 mm]	8'-0" [2438 mm]

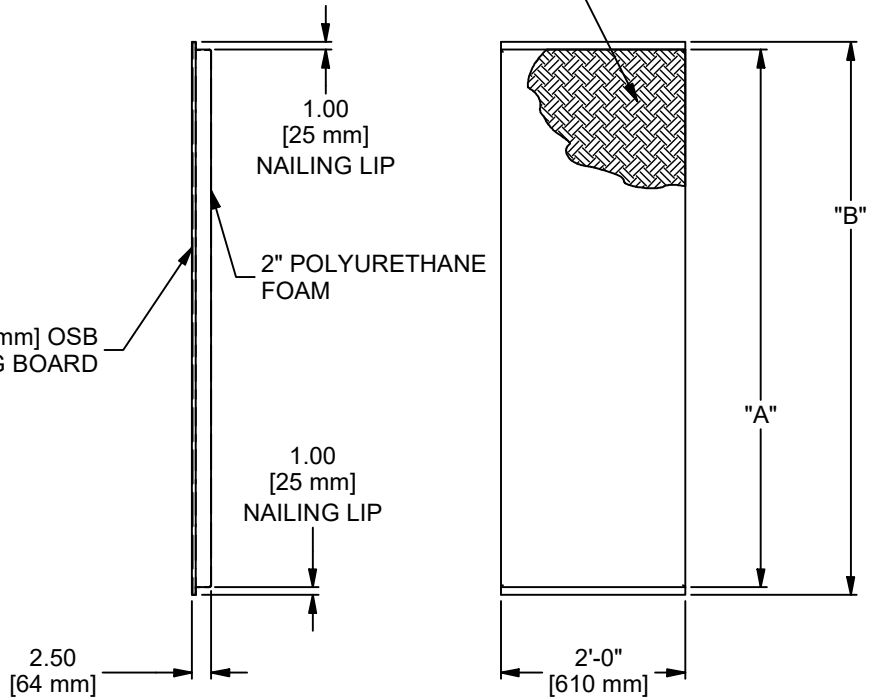
NOTE:
ALL CUSTOM CUTTING AND
FITTING OF PANELS IS TO
BE DONE IN THE FIELD TO
ENSURE A PRECISE FIT.

14 OZ. MIN. POLYESTER LAMINATED
VINYL. ATTACHED TO BACKING
WITH STAPLES EVERY 2.00" [50.8 mm]



4.00
[102 mm]
MAXIMUM

7/16" [11.11 mm] OSB
BACKING BOARD



⚠ WARNING
DO NOT INSTALL PADS MORE THAN 4" ABOVE
THE FINISHED FLOOR. INSTALLING PADS
ABOVE 4" CAN RESULT IN BODY CONTACT
WITH THE WALL AND PERSONAL INJURY.

D	CYC	09/20/23
C	MJP	01/28/22
B	MJP	01/18/22
A	JJC	11/20/17
REV	BY	DATE



Gared Performance Sports Systems
9200 East 146th Street, Suite A
Noblesville, IN 46060

THIS DOCUMENT CONTAINS TRADE SECRET AND OTHER MATERIALS
WHICH ARE PROTECTED BY CONFIDENTIALITY NOTICE AND AGREEMENT
AND BY COPYRIGHT. ANY USE OR COPYING OF THIS DOCUMENT EXCEPT
AS AUTHORIZED BY GARED PERFORMANCE SPORTS SYSTEMS IS STRICTLY
PROHIBITED.

WALL PAD, 2" POLYURETHANE		
DRAWN CONNERLEY	DATE 4/17/2013	DATE ISSUED
APPROVED	DATE	
SIZE A	SCALE NONE	SHT. NO. 1 OF 2
PART NO. 4110	REV D	



PERFORMANCE SPORTS SYSTEMS

MODEL 4110

WALL PADDING

Wall padding standard size (Part number 4110-STD) shall be 6' [1.82 m] x 2' [0.9 m] with 1" [25.4 mm] nailing margin with height options (Part number 4110-NSD) available for both 7' [2.134 m] x 2' [0.9 m] and 8' [2.438 m] x 2' [0.9 m] with 1" [25.4 mm] nailing margin on top and bottom of each panel. Nailing margin reduces foam height from 6' [1.8 m] to 5'-10" [1.77 m], 7' [2.134 m] to 6'-10" [2.083 m], and 8' [2.44 m] to 7'-10" [2.39 m] respectively. Pads shall be constructed using 2" [50.8 mm] thick 3.5-lbs. density polyurethane foam cemented to 7/16" [11.11 mm] oriented strand board.

Cover material shall be 14-ounce polyester laminated vinyl stapled to backing every two inches. Vinyl to be flame retardant material, which meets NFPA 701, ASTM E84, and CSFM (California State Fire Marshall). Vinyl shall be available in white, yellow, orange, red, kelly green, forest green, royal blue, marine blue, navy blue, gray, black, burgundy, beige, and purple.

Custom cutting and fitting of padding may be done in field to ensure proper fit. Furring strips by others (highly recommended).

ACCESSORIES

WALL ATTACHMENT TRIMS AND HARDWARE

Most wall padding may be attached with special attachment trims and hardware. See the wall padding section in the specification manual.

Subject to design change and current manufacturing practices.