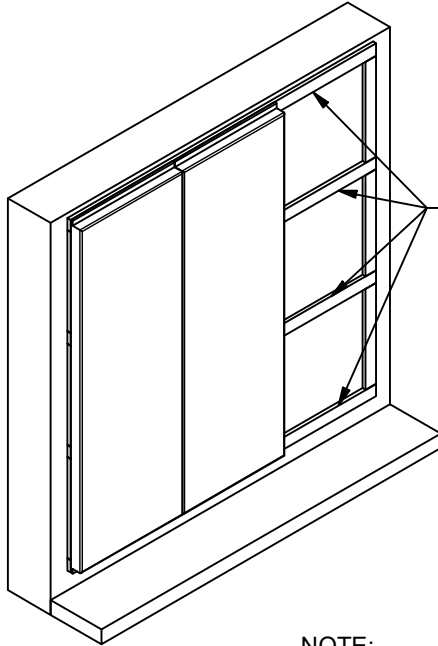
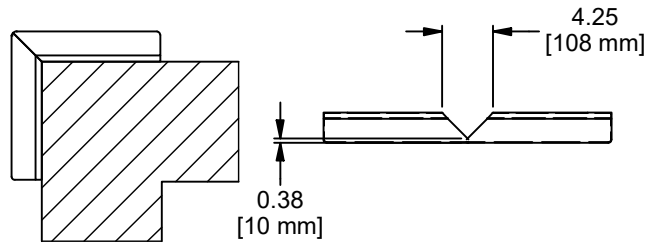


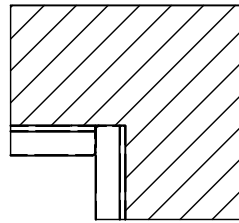
**NOTE:**  
MEETS ALL REQUIREMENTS OF ASTM F2440-11



FURRING STRIPS  
HIGHLY RECOMMENDED



OUTSIDE CORNER DETAIL

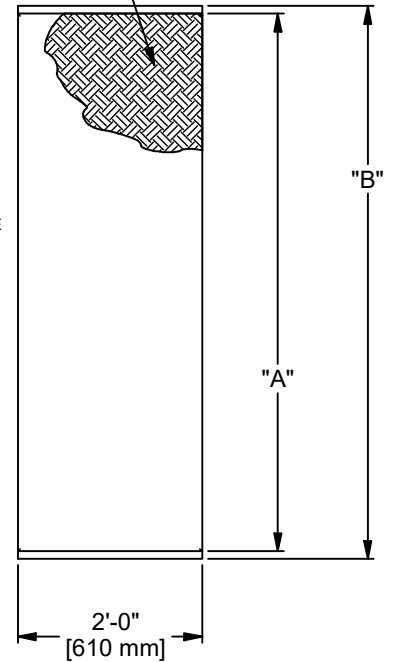
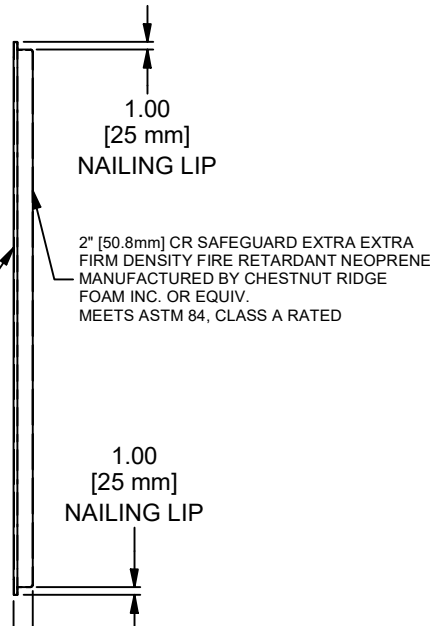
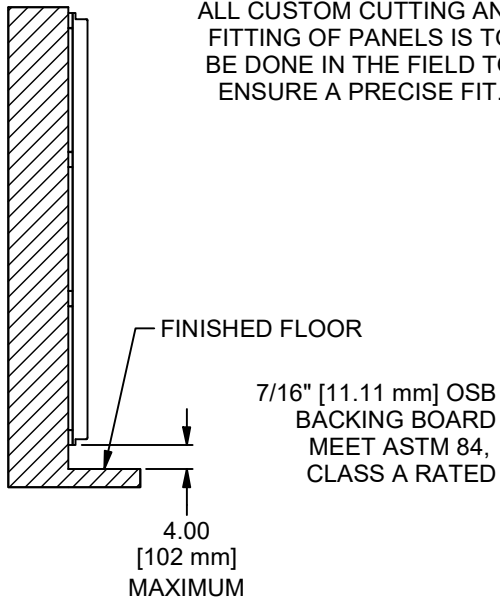


INSIDE CORNER  
LAP DETAIL

Part number	"A" Dim	"B" Dim
4133-STD	5'-10" [1778mm]	6'-0" [1829 mm]
4133-NSD	6'-10" [2082 mm]	7'-0" [2134mm]
4133-NSD	7'-10" [2388 mm]	8'-0" [2438 mm]

**NOTE:**  
ALL CUSTOM CUTTING AND  
FITTING OF PANELS IS TO  
BE DONE IN THE FIELD TO  
ENSURE A PRECISE FIT.

14 OZ. MIN. POLYESTER LAMINATED  
VINYL. ATTACHED TO BACKING WITH  
STAPLES EVERY 2.00" [50.8 mm]  
MEETS ASTM 84, CLASS A RATED



**⚠ WARNING**  
DO NOT INSTALL PADS MORE THAN 4" ABOVE  
THE FINISHED FLOOR. INSTALLING PADS  
ABOVE 4" CAN RESULT IN BODY CONTACT  
WITH THE WALL AND PERSONAL INJURY.



Gared Performance Sports Systems  
9200 East 146th Street, Suite A  
Noblesville, IN 46060

THIS DOCUMENT CONTAINS TRADE SECRET AND OTHER MATERIALS  
WHICH ARE PROTECTED BY CONFIDENTIALITY NOTICE AND AGREEMENT  
AND BY COPYRIGHT. ANY USE OR COPYING OF THIS DOCUMENT EXCEPT  
AS AUTHORIZED BY GARED PERFORMANCE SPORTS SYSTEMS IS STRICTLY  
PROHIBITED.

**WALL PAD,IMPACT2440FR, FIRE RETARDANT**

DRAWN MJP		DATE 1/28/2022	DATE ISSUED	
APPROVED		DATE		
SIZE <b>A</b>	SCALE NONE	SHT. NO. 1 OF 2	PART NO. <b>4133</b>	REV <b>B</b>

B	CYC	09/26/23
A	MJP	01/28/22
REV	BY	DATE



# **PERFORMANCE SPORTS SYSTEMS**

## **MODEL 4133**

### **Class "A"**

## **IMPACT2440FR FIRE RETARDANT WALL PADDING**

Wall padding standard size (Part number 4133-STD) shall be 6' [1.82 m] x 2' [0.9 m] with 1" [25.4 mm] nailing margin with height options (Part number 4133-NSD) available for both 7' [2.134 m] x 2' [0.9 m] and 8' [2.438 m] x 2' [0.9 m] with 1" [25.4 mm] nailing margin on top and bottom of each panel. Nailing margin reduces foam height from 6' [1.8 m] to 5'-10" [1.77 m], 7' [2.134 m] to 6'-10" [2.083 m], and 8' [2.44 m] to 7'-10" [2.39 m] respectively. Pads shall be constructed using 2" [50.8 mm] thick CR SafeGuard extra extra firm fire retardant neoprene foam, as manufactured and patented by Chestnut Ridge Foam, Inc. or equiv, and meeting ASTM 84 with a class A rating meeting Flame-Spread Index of 25 or less, and Smoke Development Index of 450 or less. Foam shall be cemented to 7/16" [11.11 mm] oriented strand board.

Cover material shall be 14-ounce polyester laminated vinyl as manufactured by Value Vinyls, or equiv. attached to backing with staples every two inches. Vinyl to be flame retardant material meeting ASTM 84, with a class A rating.

Vinyl shall be available in white, yellow, orange, red, kelly green, forest green, royal blue, marine blue, navy blue, gray, black, burgundy, beige, and purple.

Custom cutting and fitting of padding may be done in field to ensure proper fit. Furring strips by others (highly recommended).

Product tested per ASTM F1292-09 and meets all requirements of ASTM F2440-11

### **ACCESSORIES**

#### **WALL ATTACHMENT TRIMS AND HARDWARE**

Most wall padding may be attached with special attachment trims and hardware. See the wall padding section in the specification manual.

### **CERTIFICATIONS**

ASTM E84 Class A Fire Rating

NFPA 286

ASTM F2440-11

Subject to design change and current manufacturing practices.