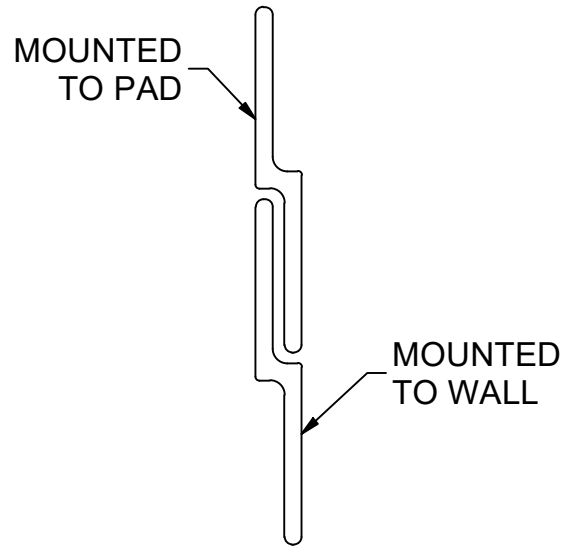
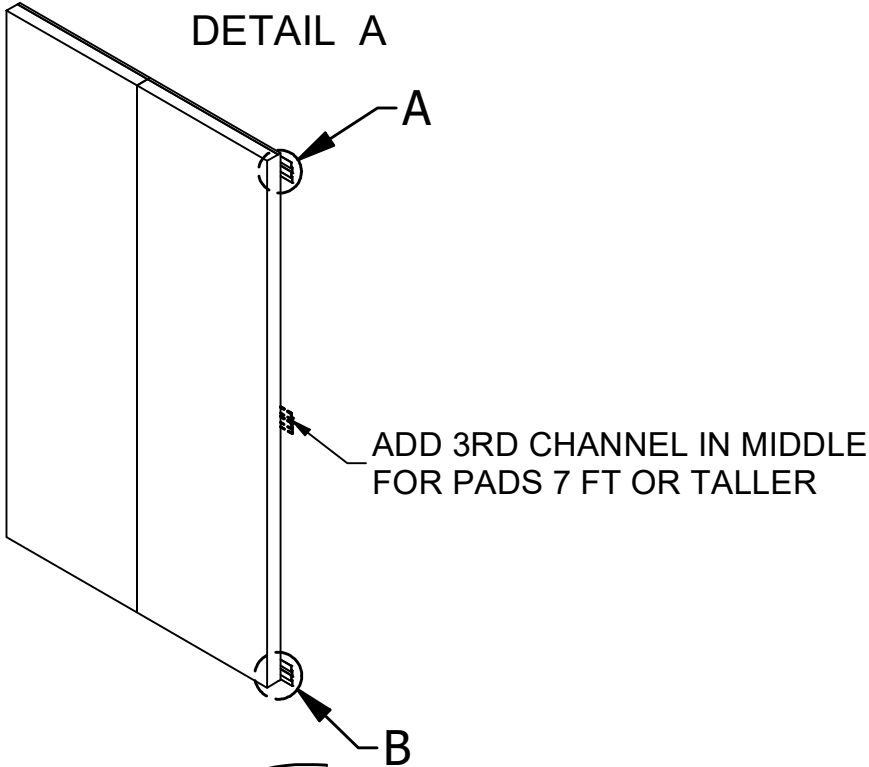


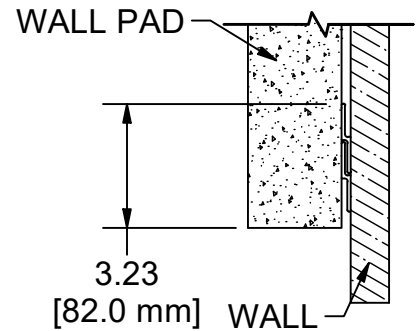
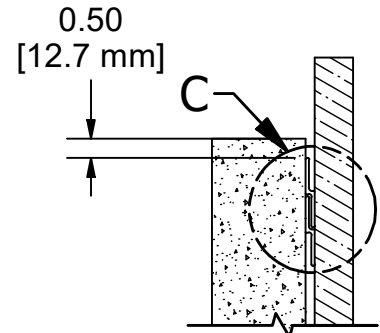
DETAIL A



DETAIL C
Z-CLIP DETAIL



DETAIL B



C	CYC	08/29/23
B	06/07/08	RWP
A	12/17/03	JDF
REV	BY	DATE



Gared Performance Sports Systems
9200 East 146th Street, Suite A
Noblesville, IN 46060

THIS DOCUMENT CONTAINS TRADE SECRET AND OTHER MATERIALS WHICH ARE PROTECTED BY CONFIDENTIALITY NOTICE AND AGREEMENT AND BY COPYRIGHT. ANY USE OR COPYING OF THIS DOCUMENT EXCEPT AS AUTHORIZED BY GARED PERFORMANCE SPORTS SYSTEMS IS STRICTLY PROHIBITED.

ALUMINUM Z-CLIP SYSTEM

DRAWN chrisc		DATE 8/28/2023	DATE ISSUED	
APPROVED		DATE		
SIZE A	SCALE	SHT. NO. 1 OF 2	PART NO. 4196	REV C



**PERFORMANCE
SPORTS SYSTEMS**

MODEL 4196

WALL PAD ALUMINUM FULL Z-CLIP ATTACHMENT SYSTEM

This system provides a convenient and neat alternative for attachment of wood backed wall pads without nailing lips. This system results in no exposed screws or bolts. Damaged or worn wall pads can be easily replaced.

“Z-clip” at the top and bottom of the pad are secured to the wall with an appropriate attachment method as dictated by building conditions. A second “z-clip” attached to the back of the wall pad (top and bottom) securely locks the pad in place. This product may be used with PSS wall padding, corner pads, and square column pads.

Aluminum wall pad attachment clip system is drilled in the field. Aluminum wall pad clip system shall be provided in 6-foot lengths but may be cut to length as required by installer.

Subject to design change and current manufacturing practices.