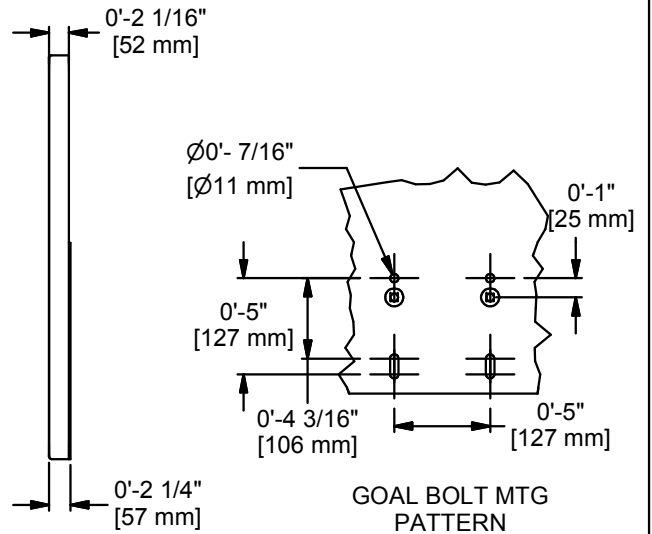
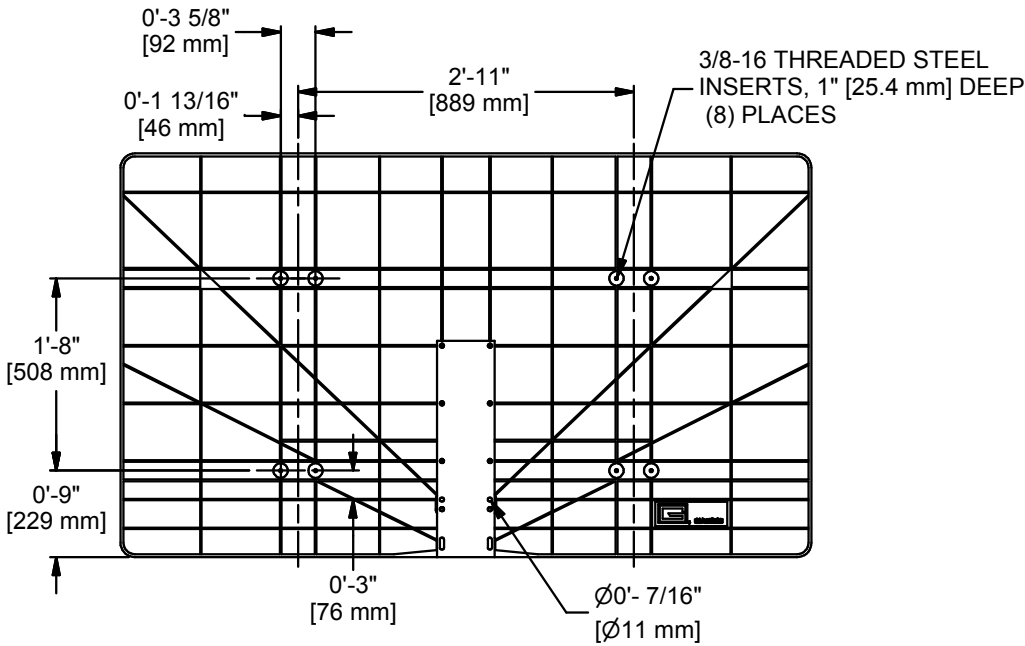


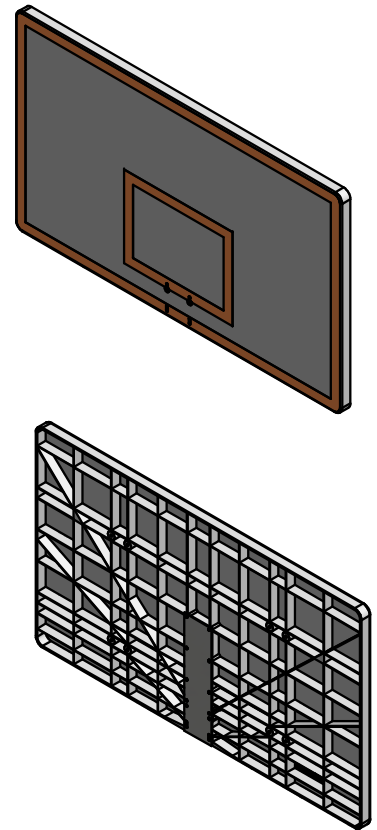
FRONT VIEW



GOAL BOLT MTG PATTERN



REAR VIEW



BOARD TO BE FINISHED IN GLOSS WHITE WITH ORANGE TARGET AND BORDER.

BACKBOARD WEIGHS 72 LBS. [32.66 Kg]

C	JJC	11/13/17
B	DWP	08/05/09
A	JJC	05/20/09
REV	BY	DATE



Gared Holdings, LLC
9200 E. 146th St. Noblesville, IN 46060

THIS DOCUMENT CONTAINS TRADE SECRET AND OTHER MATERIALS WHICH ARE PROTECTED BY CONFIDENTIALITY NOTICE AND AGREEMENT AND BY COPYRIGHT. ANY USE OR COPYING OF THIS DOCUMENT EXCEPT AS AUTHORIZED BY GARED HOLDINGS, LLC IS STRICTLY PROHIBITED.

RECTANGULAR MOLDED FIBERGLASS BACKBOARD

DRAWN	CONNERLEY	DATE	4/1/2009	DATE ISSUED
APPROVED		DATE		
FILE LOC. Q:\Inventor Files\Specification Files\07_Backboards				
SIZE	SCALE	SHT. NO.	PART NO.	REV
A	NONE	1 OF 2	1342B-R001	C



MODEL 1342B-R001

42" X 72" RECTANGULAR FIBERGLASS BACKBOARD WITH BORDER AND TARGET

The 1342B-R001 backboard shall be molded from fiberglass with a tensile strength of 8,900 to 11,700 PSI and shall have 23% to 27% fiberglass content by weight. All surfaces shall be high gloss white in color with orange border and target silk screened on face of bank for permanent markings.

Board shall have goal mounting holes shall be on 5" horizontal and 5" vertical centers and holes on 5" horizontal and 4 1/2" vertical centers to accommodate a variety of goals.

ACCESSORIES

GOALS

Compatible goals are models 726, 5500, 7550, 7555, 140, 240, 39WO, 3942, and 4039. See goal section in specification manual.

Subject to design change and current manufacturing practices.