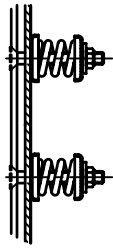
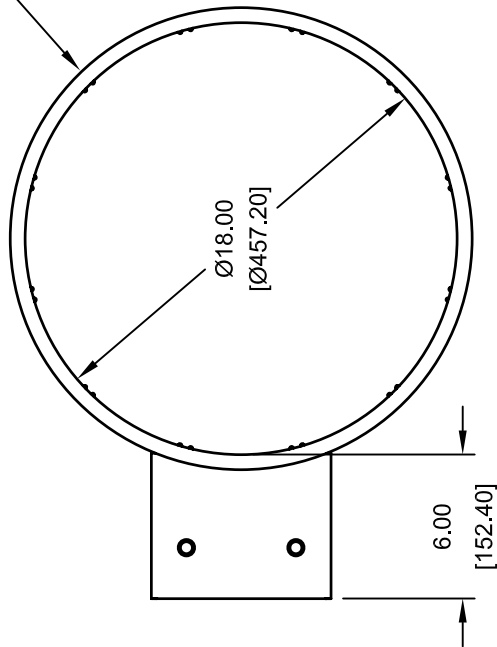


POSITIVE LOCK DETENT MECHANISM



DUAL RETURN SPRINGS

Ø0.62 [15.88] STEEL ROD



R0.22 [R5.56] TYP.

1.31 [33.34]

0.88 [22.23]

(TOP OF RIM)

1.03 [26.19]

4.00 [101.60]

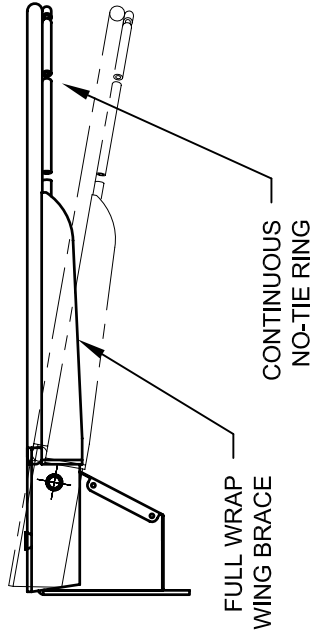
6.31 [160.34]

5.00 [127.00]

R0.44 [R11.11] (2) PLACES

5.00 [127.00]

7.00 [177.80]



MOUNTING PLATE VIEW SCALE 2:1

NOTE:
OFFICIAL ORANGE POWDER COAT FINISH.
GOAL IS SUPPLIED WITH ANTI-WHIP NYLON NET AND MOUNTING HARDWARE.

REVISION		
REV.	DATE	BY
A	12/20/06	WAE
B	04/21/08	RWP



Gared Holdings, LLC
9200 E. 146th St. Noblesville, IN 46060

THIS DOCUMENT CONTAINS TRADE SECRET AND OTHER MATERIALS WHICH ARE PROTECTED BY CONFIDENTIALITY NOTICE AND AGREEMENT AND BY COPYRIGHT. ANY USE OR COPYING OF THIS DOCUMENT EXCEPT AS AUTHORIZED BY GARED HOLDINGS, LLC IS STRICTLY PROHIBITED.

2500 BREAKAWAY GOAL

DRAWN	CONNERLEY	DATE	12/03/03	MATERIAL	N/A
APPROVED	JJC	DATE	12/03/03	FINISH	AS NOTED
FILE LOC. Q:\Final Release\Specifications				DWG. NO.	2500
SIZE	SCALE	SHT. NO.	PART NO.	REV	
A	NONE	1 OF 1	2500	B	



MODEL 2500

TOURNAMENT POSITIVE LOCK BREAK-AWAY GOAL

The 2500 goal shall be constructed with an enclosed positive lock mechanism. Goal shall be designed so that any possible entrapment areas have been eliminated. Goal shall have official size 18" ring of 5/8" diameter steel with tube tie net attachment and a durable orange powder coated finish. Anti-whip net and hardware shall be included. Universal back plate shall accommodate most 42" and 48" rectangular and fan shape backboards. Goal shall meet NCAA and high school specifications.

ACCESSORIES

BACKBOARDS

Compatible backboards are models LXP4200, AFRG42, RG, AFRG48, FSGII, 1301B, 1342B, 1370B, 1401B, 1442B, 3010RG, 3011RG, ARG, 3050RG, BB48A38, BB60A38, BB60G38, BB72A38, BB72G50, and GP72422. See backboard section in specification manual.