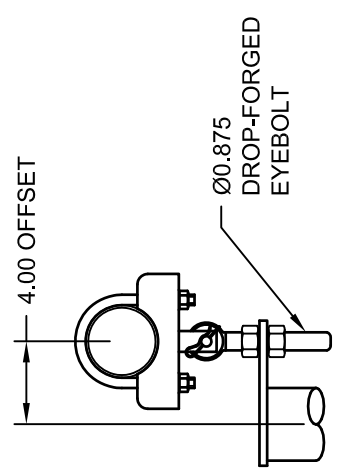
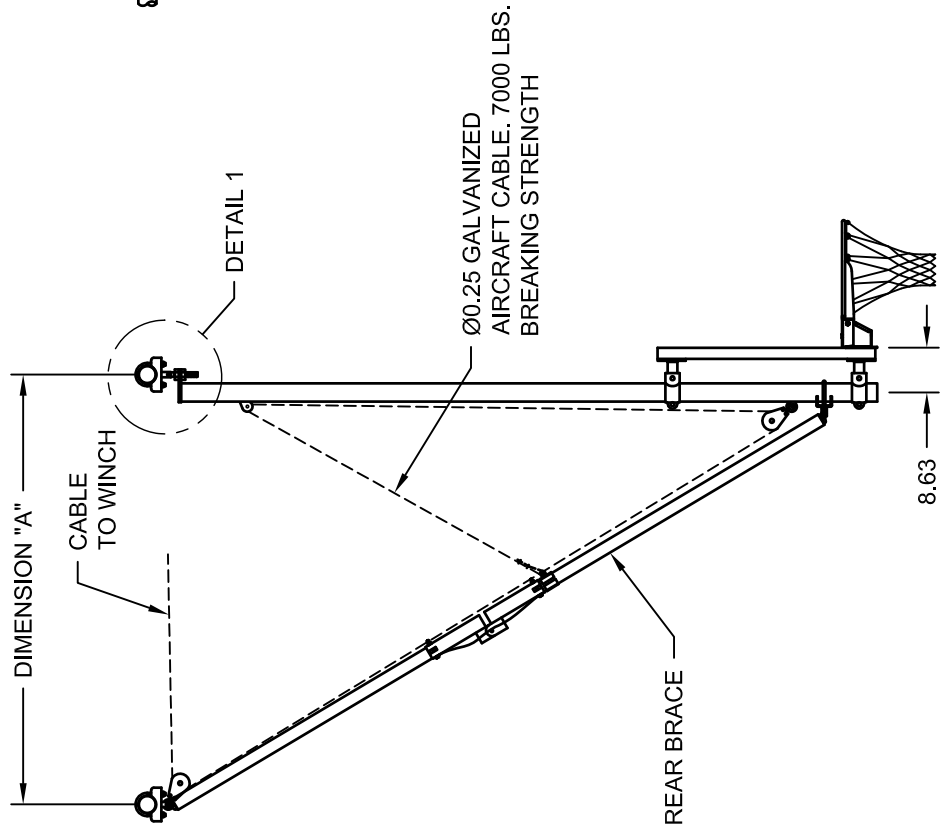


TRUSS HEIGHT FEET & (METERS)	DIM "A" Ft.-In. (Meters)
24.0' TO 25.5' (7.31-7.77M)	12'-6" (3.81M)
25.6' TO 26.9' (7.78-8.22M)	14'-6" (4.42M)
27.0' TO 28.5' (8.23-8.68M)	16'-6" (5.03M)
28.6' TO 30.5' (8.69-9.29M)	18'-6" (5.64M)
30.6' TO 32.5' (9.30-9.90M)	20'-6" (6.25M)
32.6' TO 34.0' (9.91-10.36M)	22'-6" (6.86M)
34.1' TO 35.0' (10.37-10.67M)	24'-6" (7.47M)

DIMENSIONS ABOVE ARE ± 1/2"

NOTE: STANDARD ATTACHMENT HEIGHTS (TRUSS HEIGHT) FOR MODEL 2605 WELDED UNITS ARE 24 FT. MINIMUM AND 35 FT. MAXIMUM. CONTACT PERFORMANCE SPORTS SYSTEMS FOR INFORMATION IF TRUSS HEIGHTS ARE NOT WITHIN THIS RANGE.



REVISION		
REV.	DATE	BY
A	12/12/03	JJC
B	05/27/08	RWP
C	08/13/08	RWP
D	06/05/09	RWP




**Gared Holdings, LLC**  
9200 E. 146th St. Noblesville, IN 46060

THIS DOCUMENT CONTAINS TRADE SECRET AND OTHER MATERIALS WHICH ARE PROTECTED BY CONFIDENTIALITY NOTICE AND AGREEMENT AND BY COPYRIGHT. ANY USE OR COPYING OF THIS DOCUMENT EXCEPT AS AUTHORIZED BY GARED HOLDINGS, LLC IS STRICTLY PROHIBITED.

### REAR BRACED REAR FOLD BACKSTOP

DRAWN	CONNERLEY	DATE	04/24/03	MATERIAL	N/A
APPROVED	JJC	DATE	04/24/03	FINISH	N/A
FILE LOC. Q:\Final Release\Specifications				DWG. NO.	2605
SIZE	SCALE	SHT. NO.	PART NO.	<b>2605</b>	
<b>A</b>	NONE	1 OF 1			
				REV	<b>D</b>



## MODEL 2605

### **WELDED DUAL POST REAR BRACED REAR FOLDING BASKETBALL STRUCTURE**

#### **RECOMMENDED APPLICATION**

This unit is designed for applications allowing sufficient space behind the backboard for rear fold storage of structure. This unit is designed for use with height adjusters and for heights over 24' and under 35'.

#### **SPECIFICATIONS**

##### **SUPERSTRUCTURE**

Unit shall be supported from 3-1/2" O.D. x 0.120" wall ASTM A-500 Grade B horizontal and 2-3/8" O.D. x 12 gauge (0.109") wall ASTM A-513 vertical structural steel tubing secured to the building with heavy gauge steel stampings or weldments (as required by building conditions). When truss span widths exceed 10'-0", 3-1/2" O.D. x Schedule 40 (0.216") wall ASTM A-500 Grade B will be used for the horizontals. Spans over 14'-0" will use welded bridge pipe.

##### **BACKSTOP**

The backstop shall have two 3-1/2" O.D. x 0.120" wall ASTM A-500 Grade B vertical drop tubes spaced at 63" centers for rectangular backboards, 35" for fan shaped backboards. Vertical drops shall be cross-braced with 2-3/8" O.D. x 12 gauge (0.109") wall ASTM A-513 steel tubing welded on both ends. Ends of cross-brace tubes shall be saddle (die) cut to fit the outside diameter of the 3-1/2" O.D. drop tubing. Drop pipe shall be suspended with welded steel plate offset hangers 4" in front of the pivot point, less than 4" not approved as equal. All critical fittings shall be heavy gauge steel stampings, or weldments. Backstop manufactured in accordance with 1994 NCAA rule 1, section 8, stating that all parts of the backboard support system not directly behind backboard shall be at least 6" behind backboard. Backstop shall be furnished with standard black finish. If special finish coat is required, specify final painting by painting contractor.

Rear brace shall be 2-3/8" O.D. x 12 gauge (0.109") wall ASTM A-513 steel tubing attached to the vertical drop pipe approximately 14" above vertical drop tubing. Folding brace assembly shall be of a jackknife design. The entire assembly shall be self-aligning and designed to be self-locking and self-releasing. Backstop shall be raised and lowered with 1/4" galvanized aircraft cable with a breaking strength of 7000 lbs.

##### **ACCESSORIES**

##### **BACKBOARDS AND GOALS**

All PSS and/or Gared backboards and goals are available on this unit. See the backboards and goals section in the specification manual.

##### **BANK PADDING**

See the accessories section in the specification manual.

##### **HOISTS**

Either Electric hoist or manual winch is available on all folding units. See the accessories section in the specification manual.

Subject to design change and current manufacturing practices.  
Revised April 4, 2008 ©2008 Gared Holdings, LLC