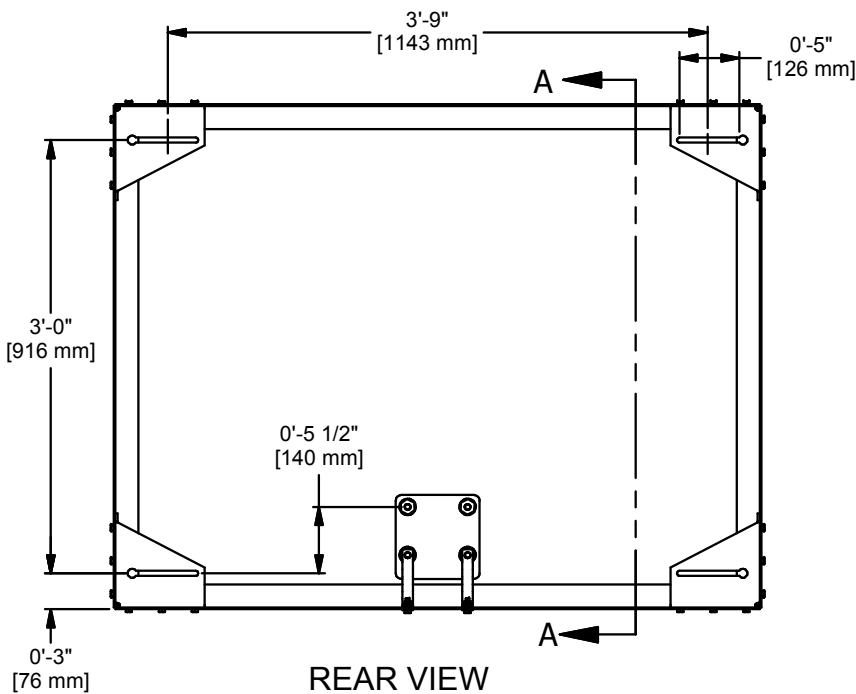
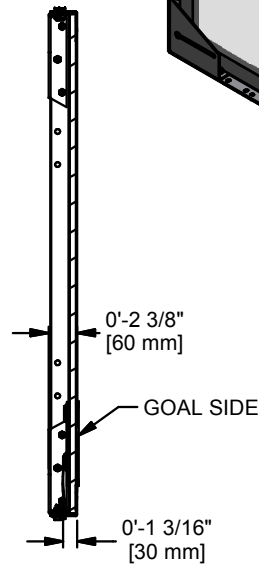
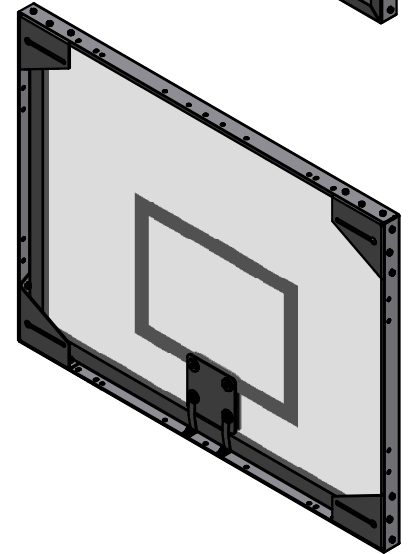
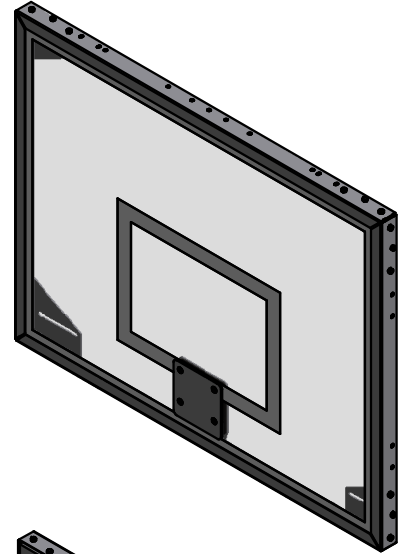


FRONT VIEW



REAR VIEW



SECTION A-A

MATERIAL IS 1/2" THICK TEMPERED GLASS WITH STEEL FRAME  
 FINISH IS GRAY POWDER COAT ON BRACKETS AND PLATES..

REV	BY	DATE



Gared Holdings, LLC  
 9200 E. 146th St. Noblesville, IN 46060

THIS DOCUMENT CONTAINS TRADE SECRET AND OTHER MATERIALS WHICH ARE PROTECTED BY CONFIDENTIALITY NOTICE AND AGREEMENT AND BY COPYRIGHT. ANY USE OR COPYING OF THIS DOCUMENT EXCEPT AS AUTHORIZED BY GARED HOLDINGS, LLC IS STRICTLY PROHIBITED.

RECTANGLE GLASS BOARD. 42" X 54"

DRAWN	CROSBY	DATE	1/16/2015	DATE ISSUED
APPROVED		DATE		

FILE LOC. Q:\Inventor Files\Specification Files\07\_Backboards

SIZE	SCALE	SHT. NO.	PART NO.	REV
A		1 OF 2	3050	



## **MODEL 3050**

### **STEEL FRAME 54" X 42" RECTANGULAR GLASS BACKBOARD**

The 3050 backboard shall be fabricated with heavy steel frame constructed of formed steel angles and fastened together with heavy gauge steel mounting plates to reinforce corners. Entire frame and components shall be powder coated with a durable neutral gray finish. Acrylic cushioning tape shall be used between steel mounting plate and glass to protect board against possible breakage.

Mounting brackets shall be positioned at 36" vertical and 45" horizontal centers for mounting backboard.

Glass shall be ½" in thickness and is fully tempered with the white target lines permanently fused onto the surface. 12mm glass will not be considered equal to ½" glass, with a nominal thickness range of .485" to .515", and will not be used as a substitute for full ½" glass. Vinyl shock absorbing material shall insulate the glass from the frame. Goal mounting holes shall be on standard 5" horizontal and 4" vertical centers.

#### **ACCESSORIES**

#### **GOALS**

Compatible goals are models WO39, 1000, 2000+, and 5500. See goal section in specification manual.