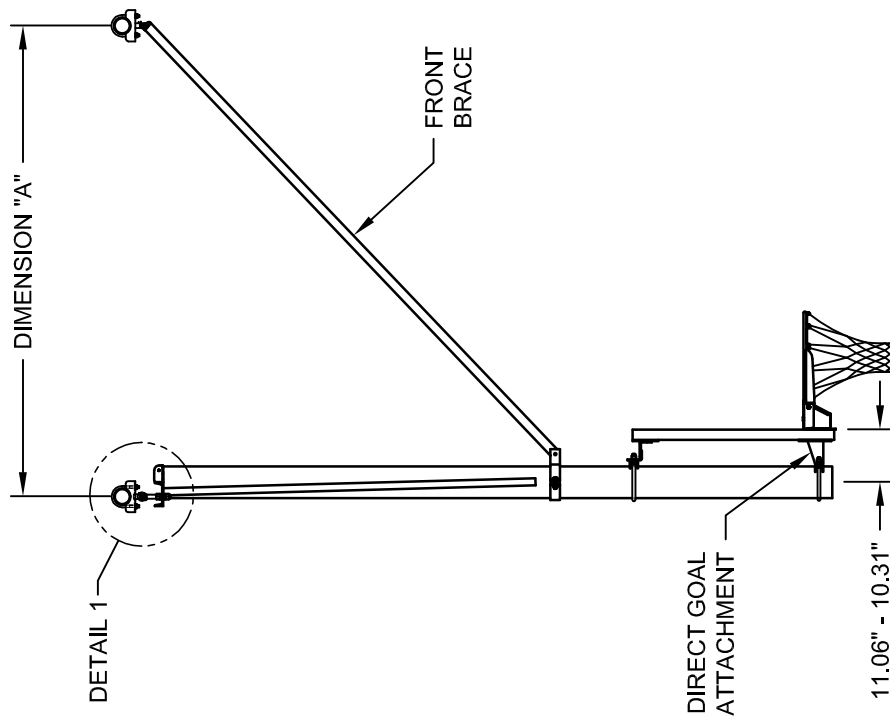
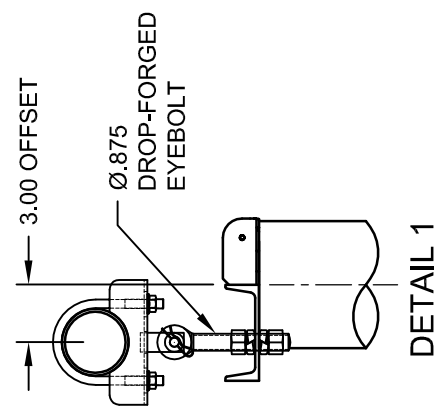


Dimension "A" is shown for maximum elevation of the truss range and may vary to fit the exact attachment elevation and building structure.

TRUSS HEIGHT FEET & (METERS)	DIM "A" Ft.-In. (Meters)	DIM "C" Ft.-In. (Meters)
18 TO 18.9 (5.48-5.78M)	4'-8" (1.42M)	4'-10" (1.47M)
19 TO 19.9 (5.79-6.09M)	5'-8" (1.73M)	4'-10" (1.47M)
20 TO 20.9 (6.10-6.39M)	6'-8" (2.03M)	6'-9" (2.06M)
21 TO 21.9 (6.40-6.69M)	7'-8" (2.34M)	6'-9" (2.06M)
22 TO 22.9 (6.70-7.00M)	8'-8" (2.64M)	6'-9" (2.06M)
23 TO 23.9 (7.01-7.31M)	9'-8" (2.95M)	6'-9" (2.06M)
24 TO 24.9 (7.32-7.61M)	10'-8" (3.25M)	6'-9" (2.06M)
25 TO 25.9 (7.62-7.92M)	11'-8" (3.56M)	7'-10" (2.39M)
26 TO 26.9 (7.93-8.22M)	12'-8" (3.86M)	7'-10" (2.39M)
27 TO 27.9 (8.23-8.52M)	13'-8" (4.17M)	7'-10" (2.39M)
28 TO 28.9 (8.53-8.83M)	14'-8" (4.47M)	7'-10" (2.39M)
29 TO 30.0 (8.84-9.14M)	15'-8" (4.78M)	7'-10" (2.39M)
30 TO 30.9 (9.14-9.44M)	16'-8" (5.08M)	7'-10" (2.39M)
31 TO 31.9 (9.45-9.74M)	17'-8" (5.39M)	7'-10" (2.39M)



11.06" - 10.31" (ADDITIONAL 3.31" WITH ADJUST-A-GOAL)



NOTE:
 -STANDARD ATTACHMENT HEIGHTS FOR MODEL 3113 WELDED UNITS ARE 18' TO 32'. CONTACT GARED HOLDINGS FOR INFORMATION IF TRUSS HEIGHTS ARE NOT WITHIN THIS RANGE.
 -DIMENSION ABOVE ARE ± 1/2".

REVISION		
REV.	DATE	BY
A	12/11/03	JJC
B	06/26/05	DAM
C	12/18/06	WAE
D	05/14/08	RWP
E	07-01-13	WDC




Gared Holdings, LLC
 9200 E. 146th St. Noblesville, IN 46060

THIS DOCUMENT CONTAINS TRADE SECRET AND OTHER MATERIALS WHICH ARE PROTECTED BY CONFIDENTIALITY NOTICE AND AGREEMENT AND BY COPYRIGHT. ANY USE OR COPYING OF THIS DOCUMENT EXCEPT AS AUTHORIZED BY GARED HOLDINGS, LLC IS STRICTLY PROHIBITED.

WELDED FRONT BRACED STATIONARY BACKSTOP

DRAWN	MCNARY	DATE	07/15/03	MATERIAL	N/A
APPROVED	CONNERLEY	DATE	07/16/03	FINISH	N/A
FILE LOC. Q:\Final Release\Specifications				DWG. NO. 3113	
SIZE	SCALE	SHT. NO.	PART NO.	3113	
A	NONE	1 OF 1			
					REV E



MODEL 3113

Welded Single Post, Ceiling Front Braced, Stationary Basketball Backstop

Recommended Application

This model is designed for those areas not requiring the structure to fold into a storage position. This unit is typically used when backstop is less than 10' from the wall or when the wall will not support wall mounted or braced units. This single post unit can be used at heights from 18' to 32'.

Overhead Structure

Unit shall be supported from 3-1/2" O.D. x 0.120" wall ASTM A-513 horizontal and 2-3/8" O.D. x 14 gauge (0.083") wall ASTM A-513 vertical structural steel tubing secured to the building with heavy gauge steel stampings or weldments (as required by building conditions). When truss span widths exceed 10'-0", 3-1/2" O.D. x Schedule 40 (0.216") wall ASTM A-500 Grade B will be used for the horizontals. Spans over 14'-0" may use welded bridge pipe.

Backstop

The backstop shall be of a single post design with a main vertical mast made of 6-5/8" O.D. x 0.120" wall ASTM A-500 Grade B structural steel tubing with 2-1/2" x 1-1/2" x 14 gauge (0.083") wall ASTM A-513 rectangular steel tube sway braces miter cut and welded in place to a top horizontal 4" x 1-1/2" x 0.18" web ASTM A-36 steel channel. Main mast will be suspended from superstructure with an offset hanger 3" in front of the pivot point. Units with less than 3" offset will not be approved as equal. Backstop shall be manufactured to allow 3" vertical adjustment for plumbing of the backboard. All fittings shall be heavy gauge steel stampings or weldments. A direct goal attachment is used to transfer stress from the goal to the main mast assembly preventing strain on the backboard.

Ceiling front brace shall be 1-7/8" O.D. x 14 gauge (0.083") wall ASTM A-513 steel tubing attached to the main mast 12" to 18" above the backboard. When truss heights are higher than 26'-0", ceiling brace shall be 2-3/8" O.D. x 14 gauge (0.083") wall ASTM A-513 steel tubing. Backstop manufactured in accordance with 1994 rule 1, section 8, stating that all parts of the backboard support system shall be at least 6" behind backboard.

All steel has a black powder coat finish, standard. Optional colors are available.

Accessories

Backboards and Goals - See the backboards and goals section in the specification manual.

Backboard Padding - See the accessories section in the specification manual.

Certifications

Unit meets all requirements of the NCAA and NFHS. Unit complies with design standards of the California Department of State Architects. Unit is approved by FIBA for international Level 2 competition. Certificate of Approval available.

