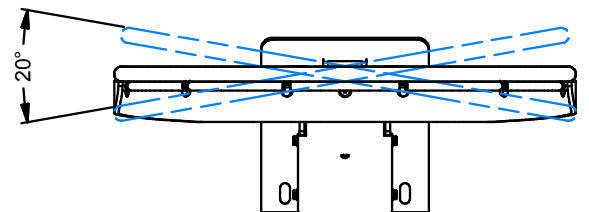
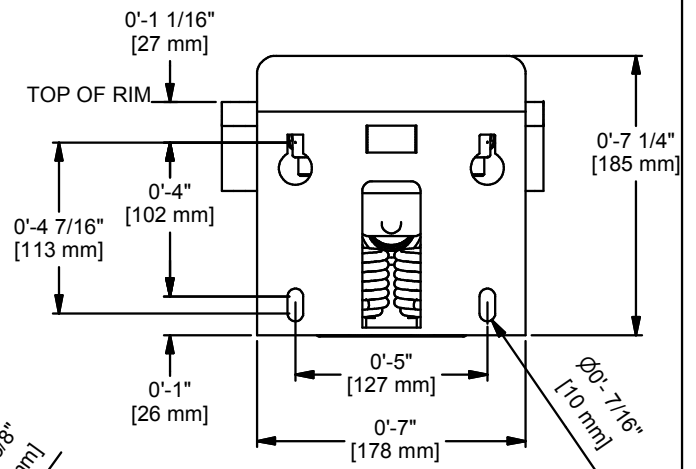
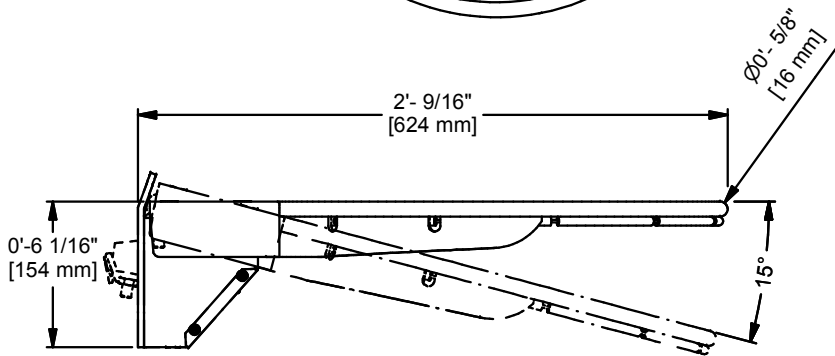
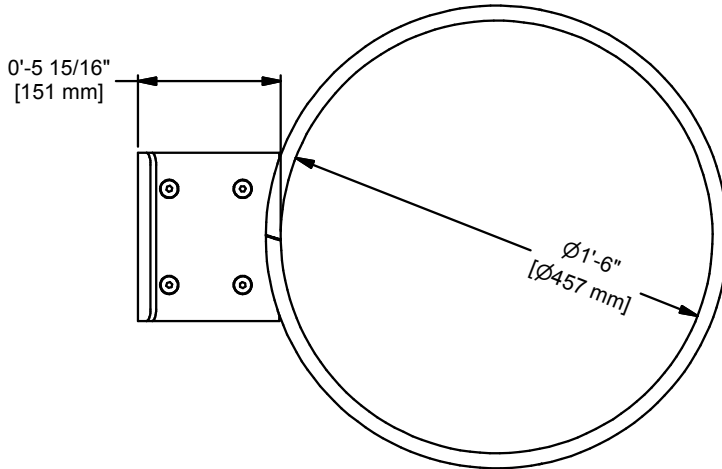
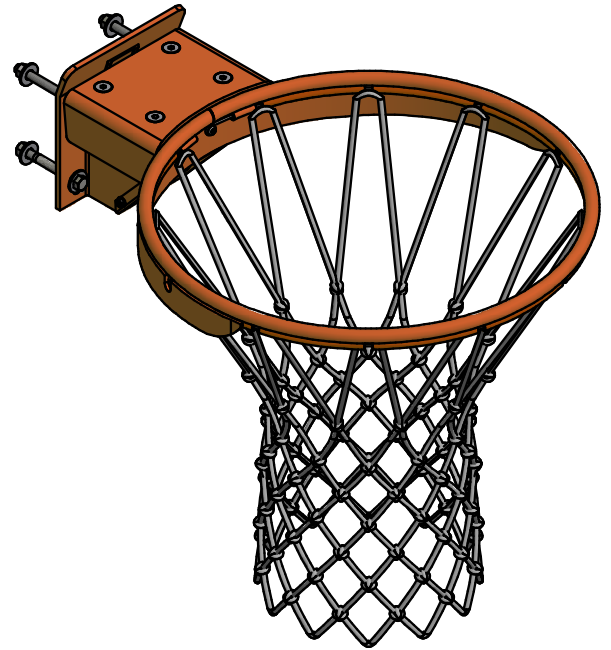


NOTE:

1. FINISH - OFFICIAL ORANGE POWDER COAT.
2. GOAL IS SUPPLIED WITH ANTI-WHIP NYLON NET AND 3/8" MOUNTING HARDWARE.
3. GOAL IS FACTORY SET TO BREAKAWAY AT A 180-200 lb [82-91 kg] FORCE AND AUTOMATICALLY RETURNS WHEN LOAD IS RELEASE.
4. 28 lbs [12.7 kg] SHIPPING WEIGHT.



F	WDC	09-28-15
REV	BY	DATE



Gared Holdings, LLC
9200 E. 146th St. Noblesville, IN 46060

THIS DOCUMENT CONTAINS TRADE SECRET AND OTHER MATERIALS WHICH ARE PROTECTED BY CONFIDENTIALITY NOTICE AND AGREEMENT AND BY COPYRIGHT. ANY USE OR COPYING OF THIS DOCUMENT EXCEPT AS AUTHORIZED BY GARED HOLDINGS, LLC IS STRICTLY PROHIBITED.

4000+ MULTI-DIRECTIONAL GOAL

DRAWN	CROSBY	DATE	7/6/2011	DATE ISSUED
APPROVED		DATE		

FILE LOC. Q:\Inventor Files\Specification Files\08_Goals

SIZE	SCALE	SHT. NO.	PART NO.	REV
A		1 OF 2	4000+	F



MODEL 4000+

MULTI-DIRECTIONAL BREAK-AWAY GOAL

The 4000+ MDG (Multi-Directional Goal) shall be constructed with a three spring design. An adjustable detent spring will give the goal a positive lock in the play position, but is factory set to break-away at 180-200 lb [82-91 kg] force. The other two springs will return the goal to the play position following a breakaway action from the front or the sides.

Goal shall deflect according to the applied pressure from any position around the goal ring. Goal shall have an official sized 18" ring of 5/8" diameter steel and shall be supported by a continuous welded wrap around brace. Goal shall meet FIBA, NCAA and high school requirements.

Goal shall have a tube style net connection and orange powder coated finish. Anti-whip net and hardware shall be included. Universal goal mounting plate will fit hole patterns for most 42" and 48" rectangular backboards and most fan-shaped backboards.

ACCESSORIES

BACKBOARDS

Compatible backboards are models LXP4200, AFRG42, 1301B, 1342B, 1442B, 3010RG, 3011RG, ARG, 3050RG, BB60G38, BB60G38HH, BB60A38, BB72G50, BB72G50HH, BB72A38. See backboard section in specification manual.



Subject to design change and current manufacturing practices.
Revised Sept. 28, 2015 ©2008 Gared Holdings, LLC