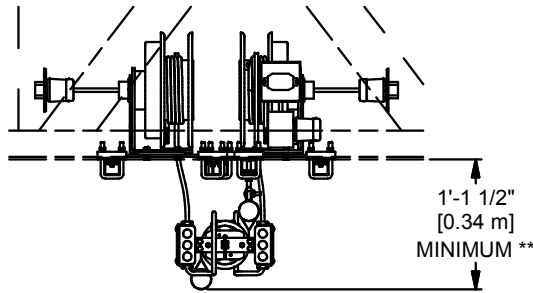
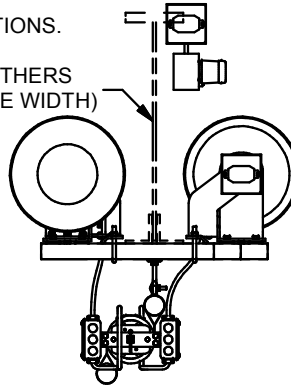


** MINIMUM DIMENSION IS DEPENDENT UPON ACTUAL BUILDING CONDITIONS.

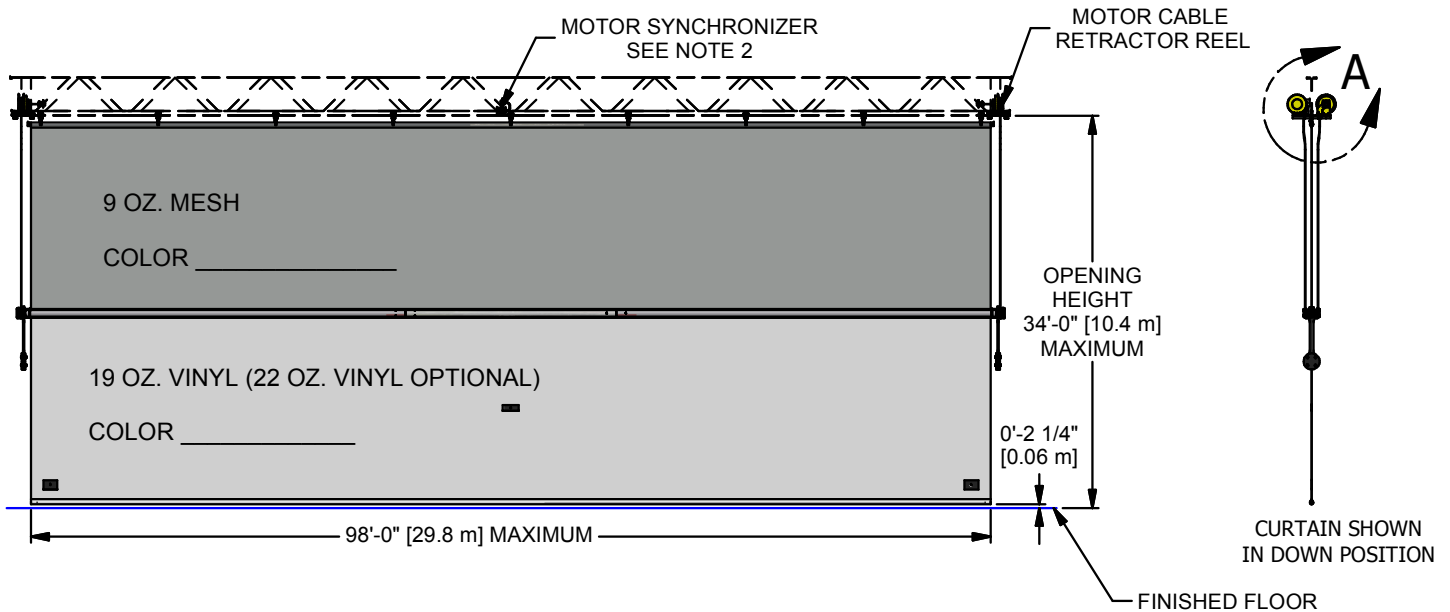


VIEW A
BEAMS PERPENDICULAR TO CURTAIN
(SHOWN IN THE UP POSITION)

*BEAM BY OTHERS
(ADVISE FANGE WIDTH)



VIEW A
CURTAIN DIRECT ATTACH TO BEAM
(SHOWN IN THE UP POSITION)



FABRIC NOTES:

- 22 OZ. VINYL ONLY AVAILABLE IN RED, ROYAL BLUE OR GRAY.

CONSTRUCTION:

- 4" [101.6 mm] OD ALUMINUM DRIVE TUBE
- 1.9" [48.3 mm] O.D. UPPER BATTEN TUBES
- 1.66" [42.2 mm] O.D. LOWER BATTEN TUBES
- PADDED BOTTOM BATTEN POCKET
- CURTAIN DIMENSIONS MAY BE LIMITED BY MOTOR TORQUE.

MOTOR:

- (1) or (2) TUBULAR GEARMOTORS, 700 INLB TORQUE EACH.
- 120VAC 1PH 60HZ 3.4A or 220VAC 1PH 50HZ 1.9A (each mtr).
- WITH BRAKE AND INTEGRAL LIMIT SWITCHES.
- WITH THERMAL OVERLOAD PROTECTION.

CONTROLS:

- KEY SWITCH INCLUDED. LOCATE SWITCH SO THAT OPERATOR HAS FULL VIEW OF CURTAIN AT ALL TIMES DURING OPERATION.
- SYNCHRONIZER INCLUDED WHEN (2) MOTOR ARE REQUIRED.

D	WDC	12-08-17
C	WDC	08-25-16
B	WDC	01-06-16
A	JJC	
REV	BY	DATE



Gared Holdings, LLC
9200 E. 146th St. Noblesville, IN 46060

THIS DOCUMENT CONTAINS TRADE SECRET AND OTHER MATERIALS WHICH ARE PROTECTED BY CONFIDENTIALITY NOTICE AND AGREEMENT AND BY COPYRIGHT. ANY USE OR COPYING OF THIS DOCUMENT EXCEPT AS AUTHORIZED BY GARED HOLDINGS, LLC IS STRICTLY PROHIBITED.

CENTER DRIVE CURTAIN

DRAWN CONNERLEY	DATE 6/10/2011	DATE ISSUED
APPROVED CONNERLEY	DATE 6/10/2011	
FILE LOC. Q:\Inventor Files\Specification Files\10_Curtains		
SIZE A	SCALE NONE	SHT. NO. 1 OF 5
PART NO. 4050		REV D



MODEL 4050

CENTER DRIVE DIVIDER CURTAIN

OVERHEAD STRUCTURE

The model 4050 gym curtain is supported from the roof structure by directly attaching to the underneath side of the roof truss or by attaching to Uni-strut, 4/O Chain, or 3 1/2" OD horizontal and 2 3/8" OD vertical structural tubing supplied by Performance Sports Systems or Gared Sports. Bridge pipe will be required when truss spans exceed 14'. Superstructure shall be furnished with standard black powder coat finish. Optional colors are available

MATERIAL

The lower half shall be solid 19 oz. or 22 oz. polyester reinforced, fire retardant and mildew resistant vinyl fabric. Seams shall be electronically welded with a full contact weld. A padded pocket shall be formed in bottom edge of curtain to accommodate a 1.66" O.D. bottom batten. Upper half of curtain shall be 9 oz. vinyl coated polyester mesh. A pocket of vinyl or mesh shall be formed in top edge of curtain to a 1.9" O.D. bottom batten. Curtain shall stop 2" above finished floor.

DRIVE STRUCTURE

Curtains up to 145 lbs (including lower batten weight) shall be operated by one internal tubular motor (115 volt, 60 hertz, single phase or 220 volt, 50 hertz, single phase). Curtains over 145 lbs (including lower batten weight) shall be operated by two synchronized internal tubular motors. Each motor has a maximum torque of 700 inch pounds with a speed of 14 rpm 60 hz or 12 rpm 50 hz. Each motor shall be equipped with integral up and down limit switches. Each asynchronous motor is maintenance free, permanently lubricated, features overheating protection and has sturdy electrical and mechanical design for long life. Motors shall feature electromagnetic disk brake for smooth and accurate stop without slippage. This feature allows full braking power in the event of power failure. Motors shall also feature three-stage planetary gear mechanism for extremely quiet and reliable use. **Curtain does not require cables, belts or straps for operation.** Curtains requiring cables, belts or straps for operation shall not be considered equal.

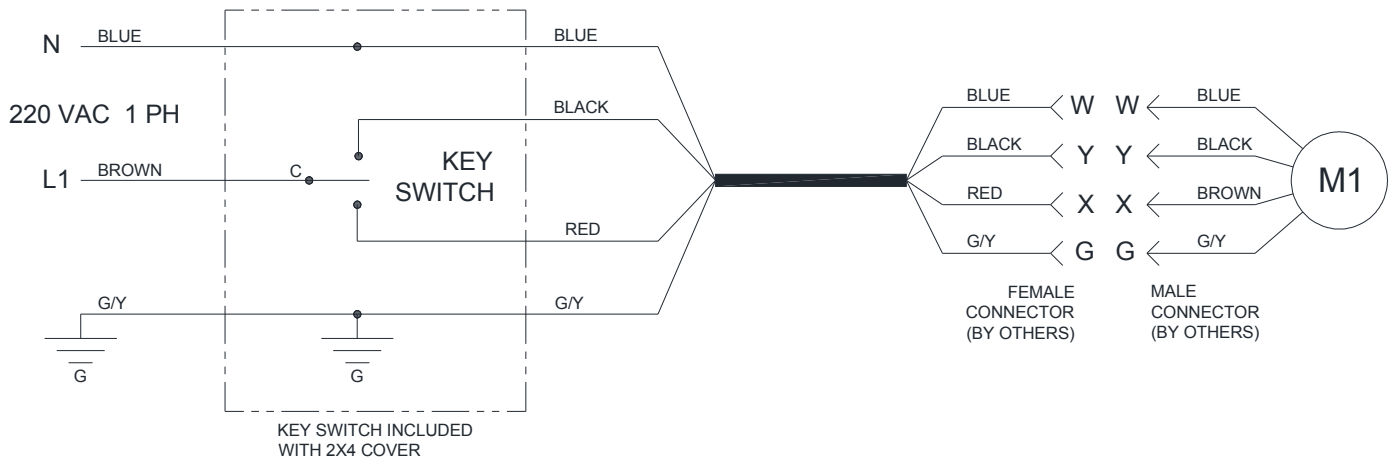
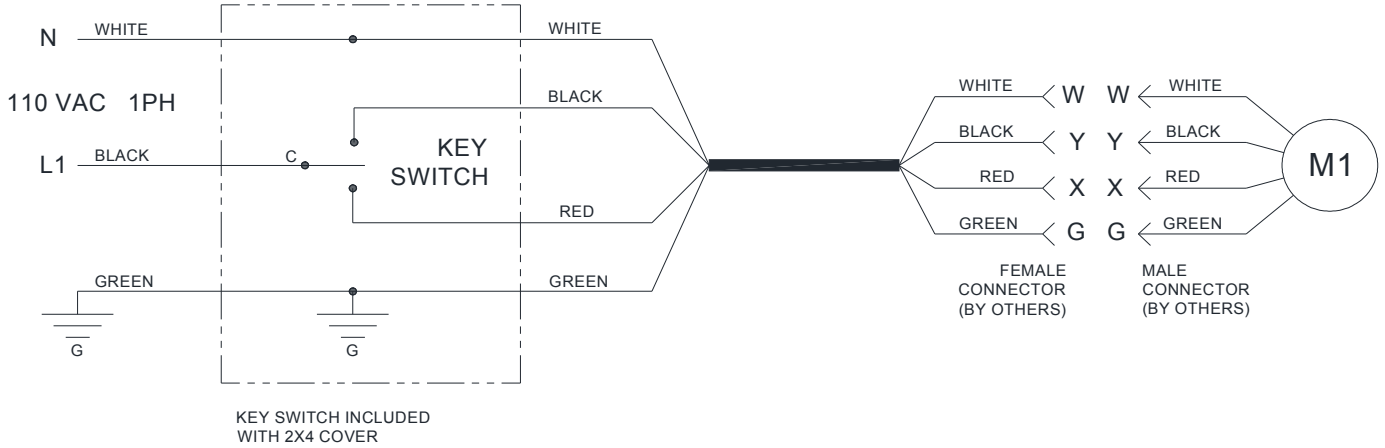
Drive tube shall be affixed in the center of the curtain and supported by the vinyl mesh by means of an integrated slot in the tube and a nylon cord sewn into the bottom of the mesh panel. The vinyl panel shall be attached to the drive tube by means of an integrated slot in the tube and a nylon cord sewn into the top of the vinyl panel.

Motors shall utilize a flush mounted keyed switch to raise and lower the divider curtain. Key switch shall be located so that curtain is in full view of authorized operator at all times. Optional methods of operation include a Wireless Remote Control Operator, TSC1500, or TSC2000 Total System Control Keypad.

All electrical components to be located in overhead superstructure with the exception of the drive motors and the control switch. Curtains with (all) electrical components not located in overhead superstructure shall not be considered equal.

PSS or Gared Sports provides motor(s) with 6' cord, motor cable retractor reel(s), one (1) synchronizer control and one (1) key switch. Junction boxes shall be mounted within 6' of each motor. Electrical wiring for curtain must be on a dedicated circuit. **All wiring between the motor cable retractor reels and the synchronizer box, power wiring to the synchronizer, and all other electrical junction boxes to be furnished and installed by a certified electrical contractor. Follow manufacturer's instructions and all local codes.**

Subject to design change and current manufacturing practices.
Revised Jan. 6, 2016 ©2008 Gared Holdings, LLC



WIRING INFORMATION:

PROVIDED WITH (1) MOTOR W/ 6 FT OF CORD AND (1) KEYSWITCH.

ALL WIRING SUPPLIED BY OTHERS.

ALL OTHER ELECTRICAL AND JUNCTION, BOXES ARE TO BE FURNISHED AND INSTALLED BY A CERTIFIED ELECTRICAL CONTRACTOR, FOLLOWING ALL LOCAL CODES AND MANUFACTURE'S INSTRUCTIONS.

MOUNT JUNCTION BOXES WITHIN 6 FT. OF EACH MOTOR

ELECTRICAL WIRING FOR EACH CURTAIN MUST BE ON A DEDICATED ELECTRICAL CIRCUIT.

ELECTRICAL SPECIFICATIONS:

- DEDICATED 10A CIRCUIT BREAKER (by others)
- MOTOR: 115VAC +/- 10%, 1 PH, 60 HZ, 3.4A
- MOTOR: 220VAC +/- 10%, 1 PH, 50 HZ, 1.9A

MINIMUM KEY SWITCH BOX SIZE:

3" TALL x 2 1/4" W x 2 1/2" DEEP

D	WDC	12-08-17
C	WDC	08-25-16
B	WDC	01-06-16
A	JJC	
REV	BY	DATE

PSS
PERFORMANCE
SPORTS SYSTEMS

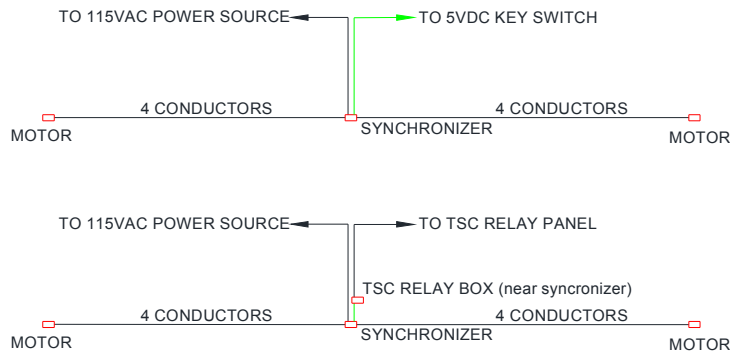
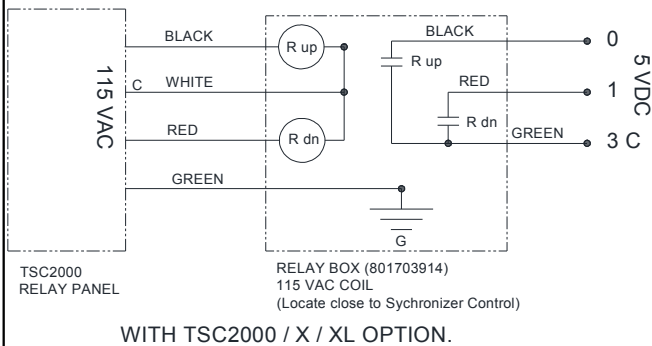
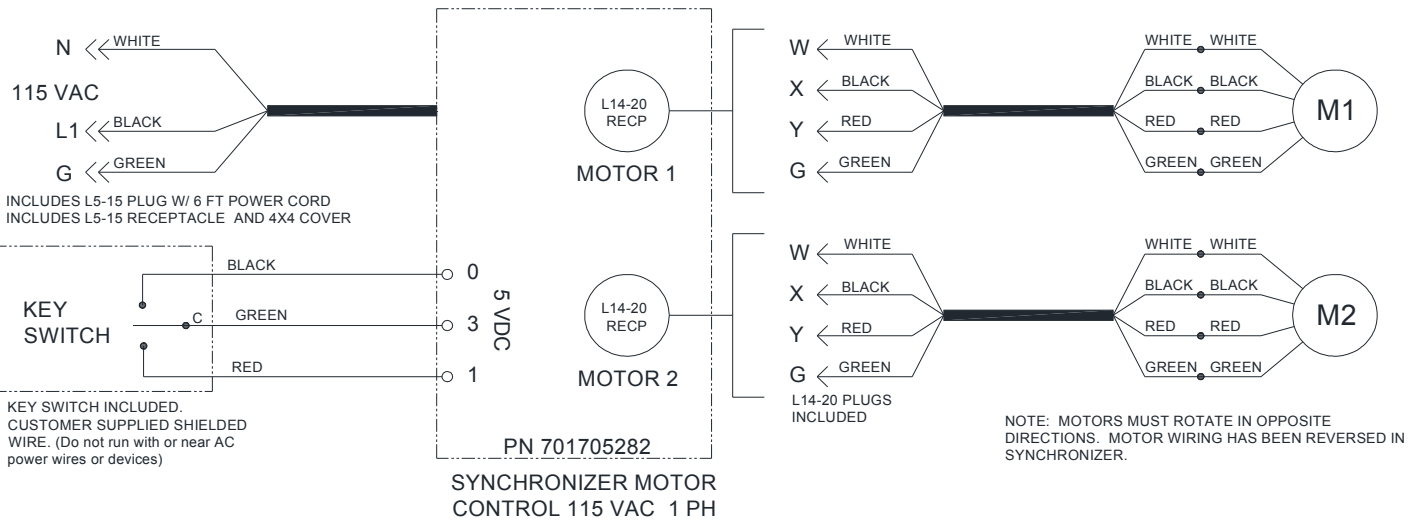
GARED

Gared Holdings, LLC
9200 E. 146th St. Noblesville, IN 46060

THIS DOCUMENT CONTAINS TRADE SECRET AND OTHER MATERIALS WHICH ARE PROTECTED BY CONFIDENTIALITY NOTICE AND AGREEMENT AND BY COPYRIGHT. ANY USE OR COPYING OF THIS DOCUMENT EXCEPT AS AUTHORIZED BY GARED HOLDINGS, LLC IS STRICTLY PROHIBITED.

4050 SCHEMATIC, SINGLE MOTOR

DRAWN CONNERLEY	DATE 6/10/2011	DATE ISSUED
APPROVED CONNERLEY	DATE 6/10/2011	
FILE LOC: Q:\Inventor Files\Specification Files\10_Curtains		
SIZE A	SCALE NONE	SHT. NO. 3 OF 5
PART NO. 4050		REV D



WIRING INFORMATION:

PROVIDED WITH (2) MOTORS W/ 6 FT OF CORD EACH,
(1) SYNCHRONIZER CONTROL, AND (1) KEYSWITCH.

ALL WIRING (BY OTHERS) MUST BE SUPPLIED TO BOTH MOTORS AT EACH END OF CURTAIN FROM SYNCHRONIZER UNITS.

ALL OTHER ELECTRICAL, JUNCTION, AND SYNCHRONIZER BOXES ARE TO BE FURNISHED AND INSTALLED BY A CERTIFIED ELECTRICAL CONTRACTOR, FOLLOWING ALL LOCAL CODES AND MANUFACTURE'S INSTRUCTIONS.

MOUNT JUNCTION BOXES WITHIN 6 FT. OF EACH MOTOR

ELECTRICAL WIRING FOR EACH CURTAIN MUST BE ON A DEDICATED ELECTRICAL CIRCUIT.

ELECTRICAL SPECIFICATIONS:

- DEDICATED 15A CIRCUIT BREAKER (by others)
- MOTOR: 115VAC +/- 10%, 1 PH, 60 HZ, 6.8 A (3.4A per motor)

SYNCHRONIZER BOX:
7 1/2" L x 4" W x 3" DEEP

MINIMUM KEY SWITCH BOX SIZE:
3" TALL x 2 1/4" W x 2 1/2" DEEP

D	WDC	12-08-17
C	WDC	08-25-16
B	WDC	01-06-16
A	JJC	
REV	BY	DATE

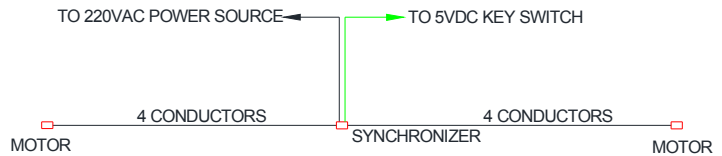
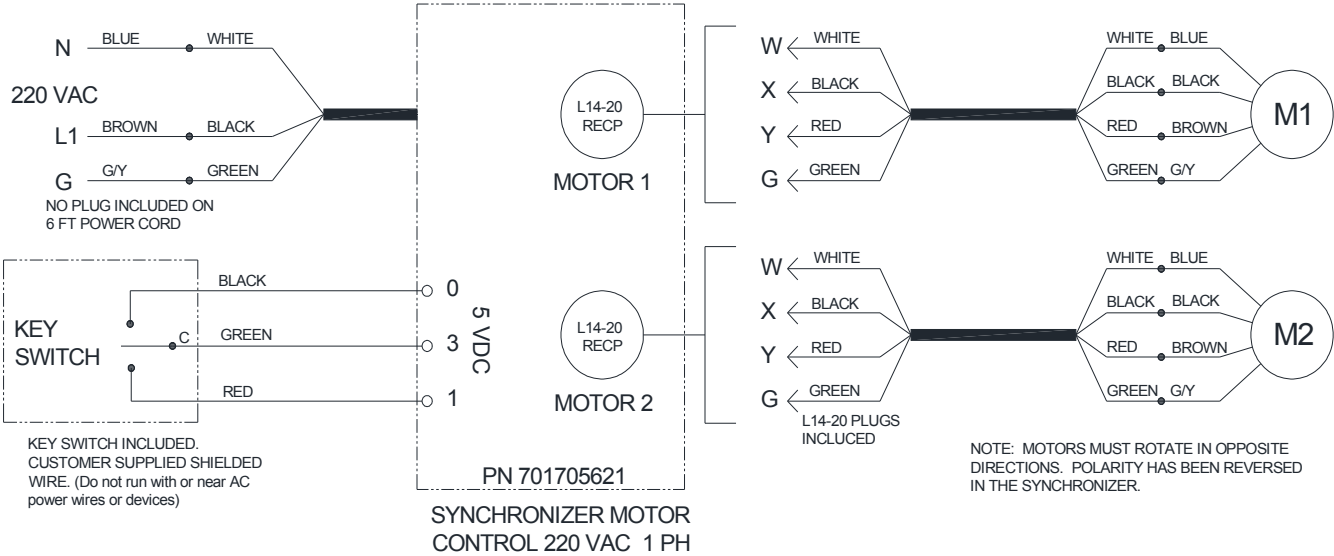


Gared Holdings, LLC
9200 E. 146th St. Noblesville, IN 46060

THIS DOCUMENT CONTAINS TRADE SECRET AND OTHER MATERIALS WHICH ARE PROTECTED BY CONFIDENTIALITY NOTICE AND AGREEMENT AND BY COPYRIGHT. ANY USE OR COPYING OF THIS DOCUMENT EXCEPT AS AUTHORIZED BY GARED HOLDINGS, LLC IS STRICTLY PROHIBITED.

4050 SCHEMATIC, DUAL 120V 1PH 60HZ

DRAWN CONNERLEY	DATE 6/10/2011	DATE ISSUED
APPROVED CONNERLEY	DATE 6/10/2011	
FILE LOC. Q:\Inventor Files\Specification Files\10_Curtains		
SIZE A	SCALE NONE	SHT. NO. 4 OF 5
PART NO. 4050		REV D



WIRING INFORMATION:

PROVIDED WITH (2) MOTORS W/ 6 FT OF CORD EACH, (1) SYNCHRONIZER CONTROL, AND (1) KEYSWITCH.

ALL WIRING (BY OTHERS) MUST BE SUPPLIED TO BOTH MOTORS AT EACH END OF CURTAIN FROM SYNCHRONIZER UNITS.

ALL OTHER ELECTRICAL, JUNCTION, AND SYNCHRONIZER BOXES ARE TO BE FURNISHED AND INSTALLED BY A CERTIFIED ELECTRICAL CONTRACTOR, FOLLOWING ALL LOCAL CODES AND MANUFACTURE'S INSTRUCTIONS.

MOUNT JUNCTION BOXES WITHIN 6 FT. OF EACH MOTOR

ELECTRICAL WIRING FOR CURTAIN MUST BE ON A DEDICATED ELECTRICAL CIRCUIT.

ELECTRICAL SPECIFICATIONS:

- DEDICATED 10A CIRCUIT BREAKER (by others)
- MOTOR: 220VAC +/- 10%, 1 PH, 50 HZ, 3.8 A (1.9 A per motor)

SYNCHRONIZER BOX:

7 1/2" L x 4" W x 3" DEEP

MINIMUM KEY SWITCH BOX SIZE:

3" TALL x 2 1/4" W x 2 1/2" DEEP

D	WDC	12-08-17
C	WDC	08-25-16
B	WDC	01-06-16
A	JJC	
REV	BY	DATE



Gared Holdings, LLC
9200 E. 146th St. Noblesville, IN 46060

THIS DOCUMENT CONTAINS TRADE SECRET AND OTHER MATERIALS WHICH ARE PROTECTED BY CONFIDENTIALITY NOTICE AND AGREEMENT AND BY COPYRIGHT. ANY USE OR COPYING OF THIS DOCUMENT EXCEPT AS AUTHORIZED BY GARED HOLDINGS, LLC IS STRICTLY PROHIBITED.

4050 SCHEMATIC, DUAL 220V 1PH 50HZ

DRAWN CONNERLEY	DATE 6/10/2011	DATE ISSUED
APPROVED CONNERLEY	DATE 6/10/2011	

FILE LOC. Q:\Inventor Files\Specification Files\10_Curtains

SIZE A	SCALE NONE	SHT. NO. 5 OF 5	PART NO. 4050	REV D
-----------	---------------	--------------------	------------------	----------