

The following pages of this document provides guidelines and instructions for the proper and safe installation of wall pads. It is important to read and understand all instructions, cautions, and warnings in this document.

⚠ WARNING

READ, UNDERSTAND AND FOLLOW ALL INSTRUCTIONS BEFORE STARTING INSTALLATION OF THESE WALL PADS. FAILURE TO UNDERSTAND AND FOLLOW THESE INSTRUCTIONS COULD RESULT IN DAMAGE TO THE PRODUCT.

⚠ CAUTION

PADS SHOULD BE STORED ON THEIR SIDES WHILE AWAITING INSTALLATION. FAILURE TO KEEP PADS STORED ON THEIR SIDES COULD RESULT IN COMPRESSION OF THE FOAM THAT CAN CAUSE WRINKLES IN THE VINYL AND OR LOOSE VINYL

NOTICE

ASTM (American Society for Testing and Materials) Standard F2440-04 establishes minimum levels of protection for impact and shock absorption properties for wall padding. Further, the specification sets precise recommendations on installing these pads. Padding should not be installed more than 4 inches from the finished floor and be tall enough to be at least 6 feet above the floor.

In the NCAA Men's and Women's Basketball Rules, the following statement is made:
It is recommended that padding that meets current ASTM standards be used on walls and other facility features in or around the playing area that a student-athlete might contact during play. Padding should be installed no more than 4 inches from the floor up to 6 feet.

⚠ WARNING

DO NOT INSTALL PADS MORE THAN 4" ABOVE THE FINISHED FLOOR. INSTALLING PADS ABOVE 4" CAN RESULT IN BODY CONTACT WITH THE WALL AND PERSONAL INJURY.

Refer to installation and architectural drawings specific to this project for proper location of wall pads within the facility. Make certain the Gared/PSS production drawing package is used for installation and NOT the submittal drawings.

Wall pads should be inspected before installation. Make sure the individual pads are not damaged and are free of any major wrinkles or defects.

In order to minimize fabric wrinkles during installation, the walls should be perfectly plumb or slightly bowed out over the area to be covered. If walls are bowed in, shims must be used in the recessed areas of the wall to provide a plumb or slightly bowed out surface.

The following pages provide details for installing pads:

Sheet 2 - Installing standard pads in flat runs

Sheet 3 - Installing standard pads with optional furring strips

Sheet 4 - Installing standard pads with "J" channel system

Sheet 5 - Installing pads on corners (inside and outside corners)

Sheet 6 - Modifying pads to add cut outs

Installation and Assembly Instructions



Gared Holdings, LLC
9200 E. 146th St.
Noblesville, IN 46060

WALL PAD INSTALLATION INSTRUCTIONS

FILE LOC. Q:\Inventor Files\

DATE

4/3/2017

SHT. NO.

1 OF 6

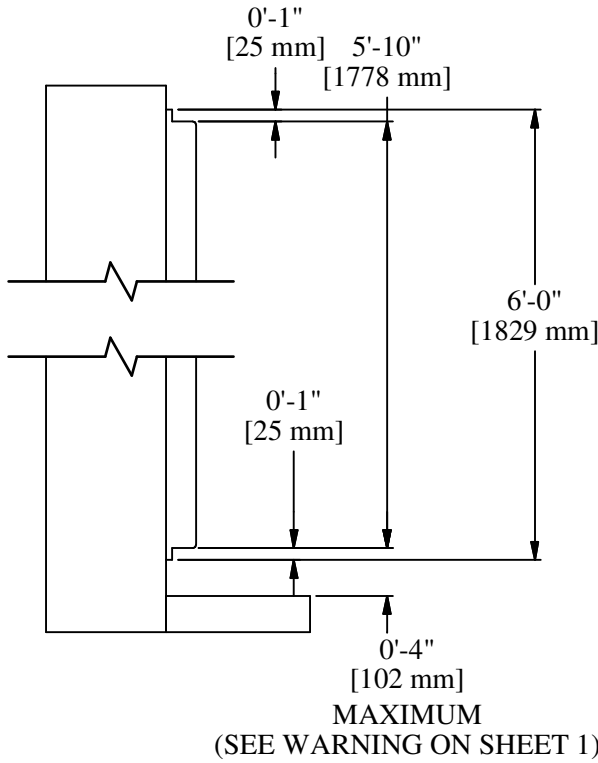
PART NO.

751752005

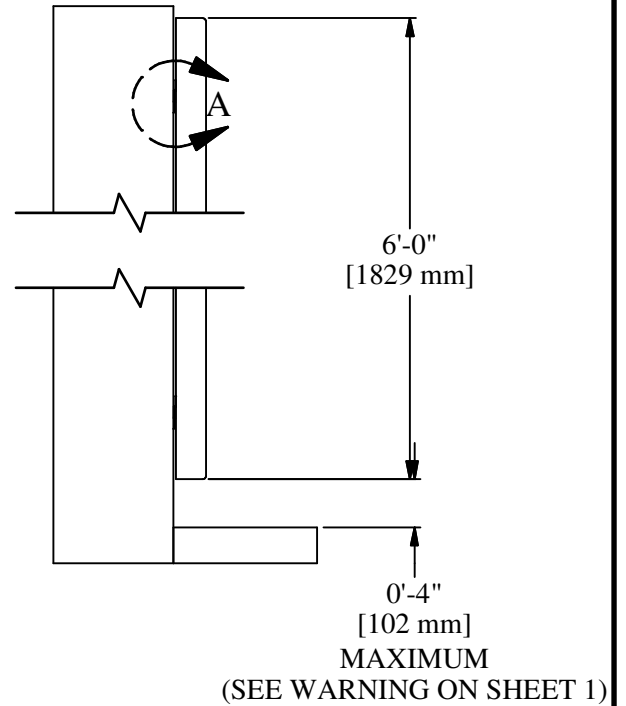
REV

STANDARD INSTALLATION

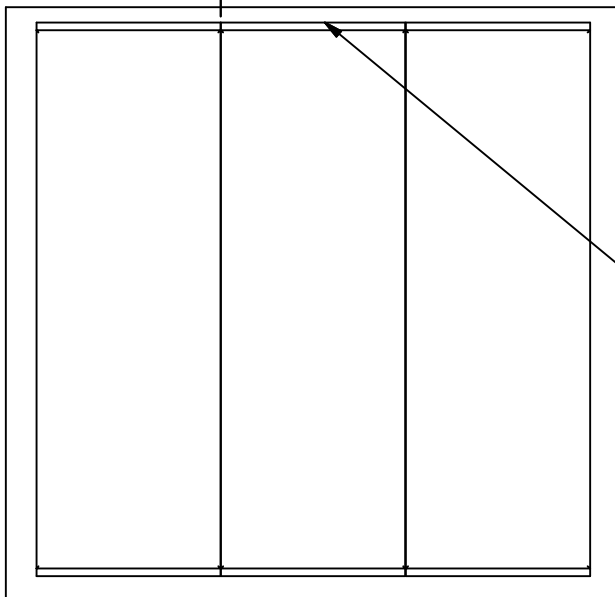
WALL PAD WITH NAILING LIP



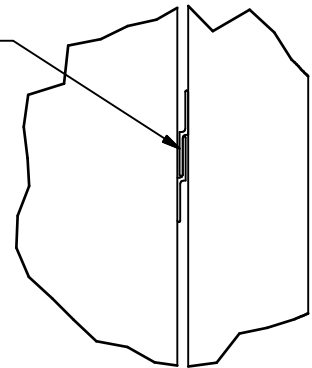
WALL PAD WITHOUT NAILING LIP



0'- 1/16" [2 mm] Leave a gap of 1/16" to a maximum of 1/8" gap between pads to allow for expansion and contraction of pads



Z-Clip Wall Attachments



DETAIL A
SCALE 1 / 4

Installation and Assembly Instructions



Gared Holdings, LLC
9200 E. 146th St.
Noblesville, IN 46060

WALL PAD INSTALLATION INSTRUCTIONS

FILE LOC. Q:\Inventor Files\

DATE

4/3/2017

SHT. NO.

2 OF 6

PART NO.

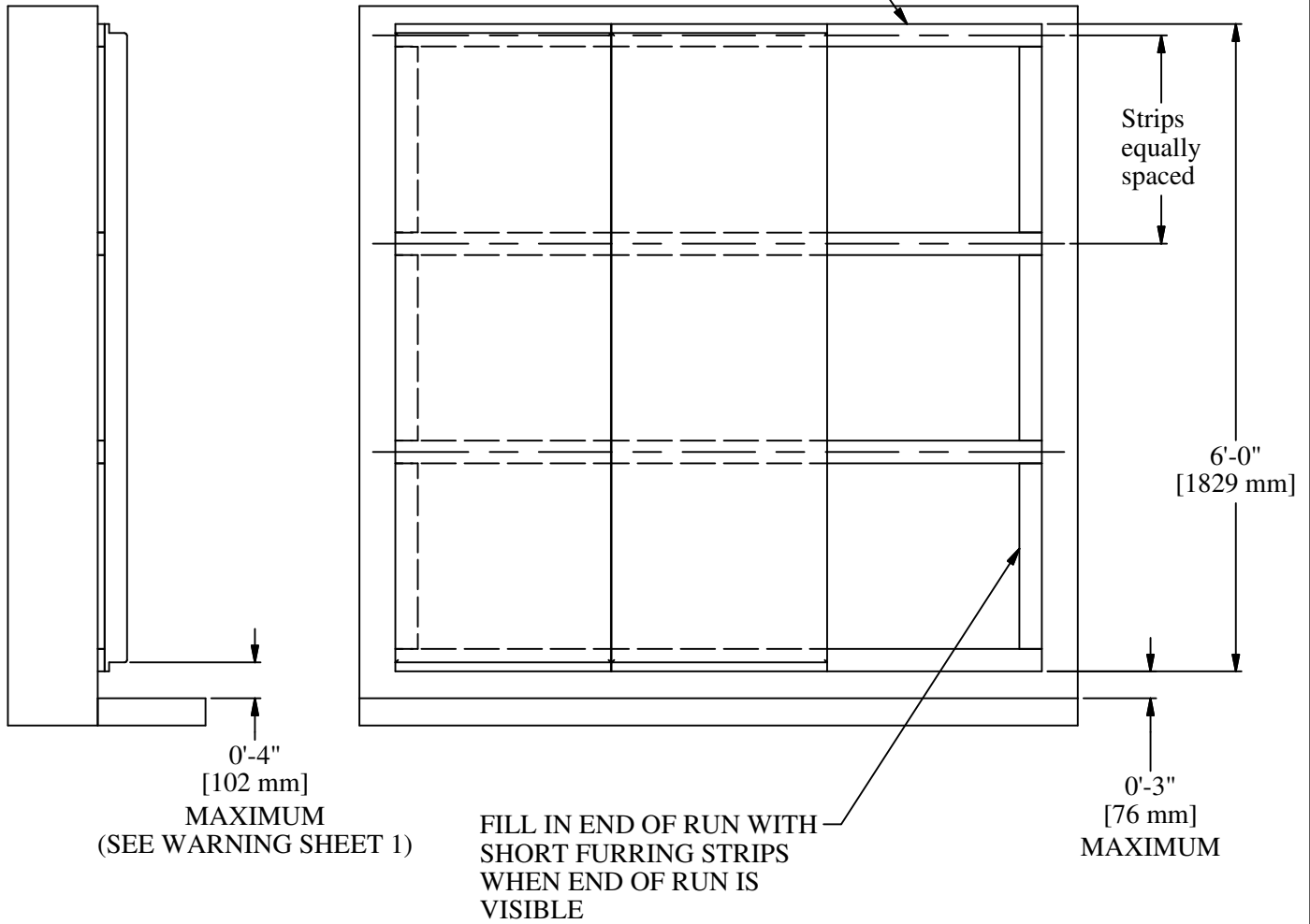
751752005

REV

FURRING STRIP INSTALLATION

INSTALL A MINIMUM OF 3 FURRING STRIPS EQUALLY SPACED ALONG THE ENTIRE RUN OF WALL PADS.

3 STRIPS MINIMUM, 4 STRIPS RECOMMENDED



Install the furring strips to the wall using a high quality industrial adhesive and mechanical fasteners. Mechanical fasteners can be concrete nails, flat head wood screws with plastic anchors, etc. as long as the heads of the fasteners are flush with the surface of the furring strip.

Attach the pads to the furring strips using wood screw, etc.

Installation and Assembly Instructions



Gared Holdings, LLC
9200 E. 146th St.
Noblesville, IN 46060

WALL PAD INSTALLATION INSTRUCTIONS

FILE LOC. Q:\Inventor Files\

DATE

4/3/2017

SHT. NO.

3 OF 6

PART NO.

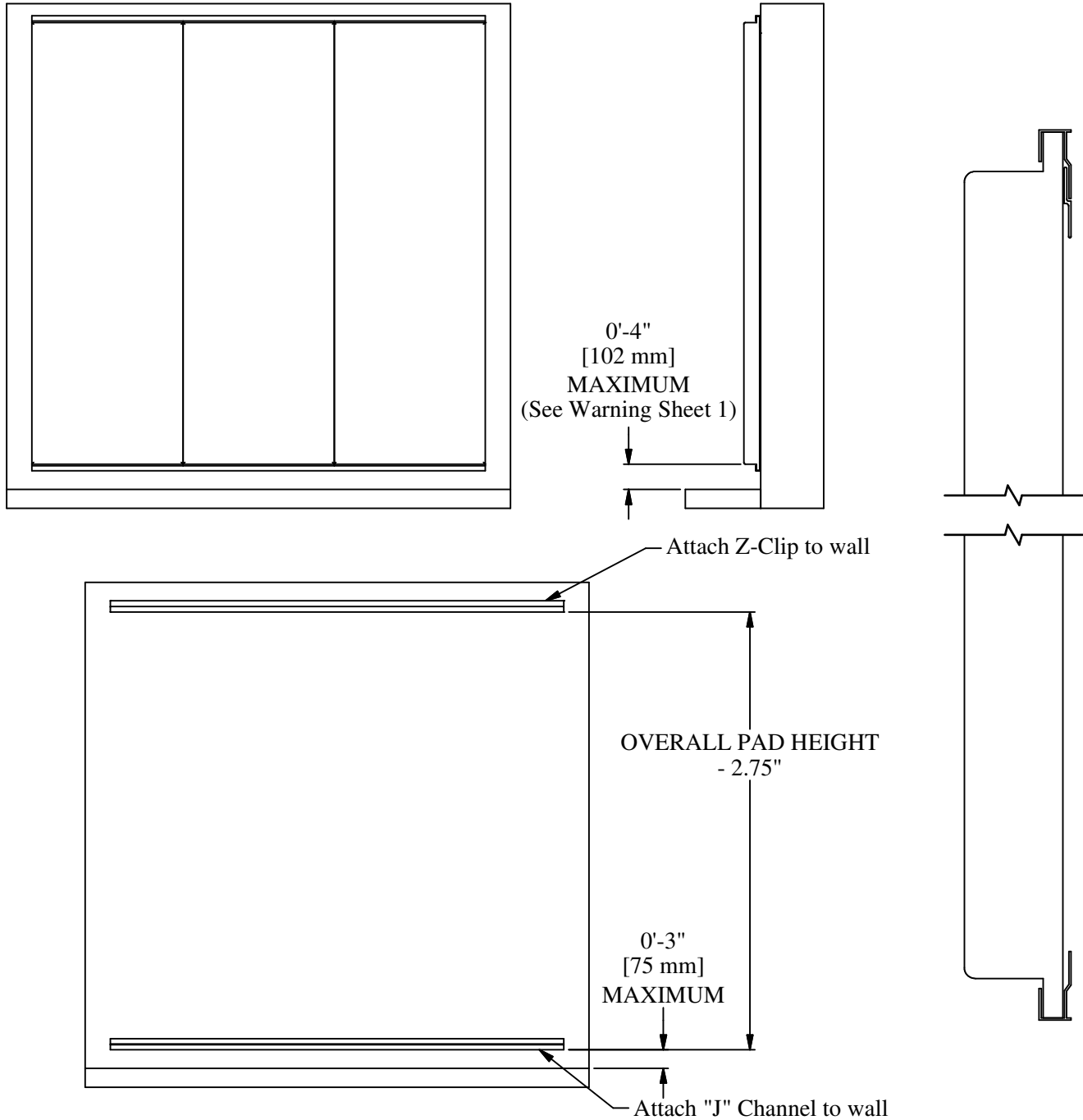
751752005

REV

J-CHANNEL INSTALLATION

Attach the lower "J" channel to the wall as shown below, making sure the bottom is no more than 3" above the floor. Then attach the Z-Clip to the wall (open portion facing up). The dimension from the bottom of the "J" channel to the bottom of the Z-Clip must be equal to the pad height (nail lip to nail lip) minus 2-3/4".

Slide the lower nail lip of the pad into the lower "J" channel. Then slide the upper "J" channel over the top nailing lip and into the Z-Clip groove.



Installation and Assembly Instructions



Gared Holdings, LLC
9200 E. 146th St.
Noblesville, IN 46060

WALL PAD INSTALLATION INSTRUCTIONS

FILE LOC. Q:\Inventor Files\

DATE

4/3/2017

SHT. NO.

4 OF 6

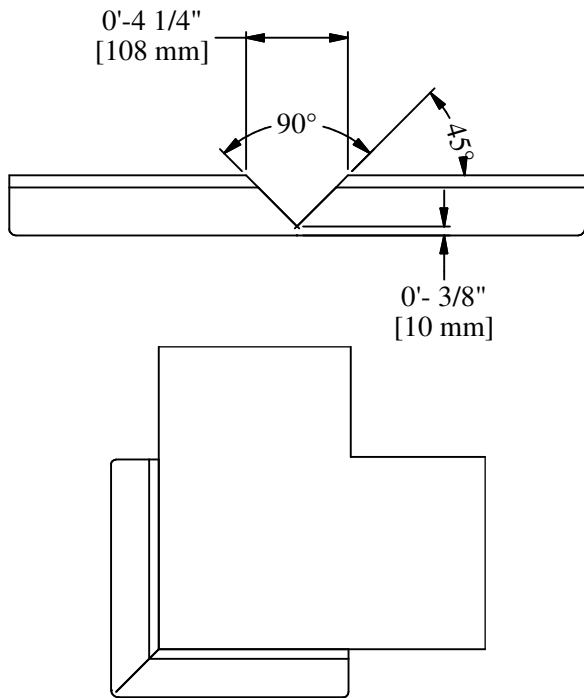
PART NO.

751752005

REV

CORNER INSTALLATION

OUTSIDE CORNER CONSTRUCTION

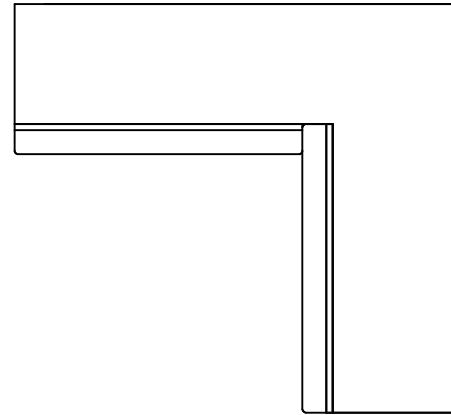


Before cutting the notch in the panel as shown above, loosen the vinyl at the top and bottom of the pad in the area where the cut will be made.

Carefully remove the staples and fold back the vinyl

After the notch is made, fold the vinyl back over the panel and staple it to the backer board.

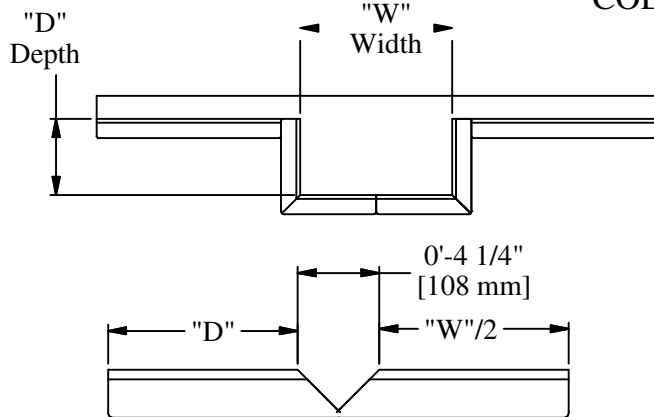
INSIDE CORNER CONSTRUCTION



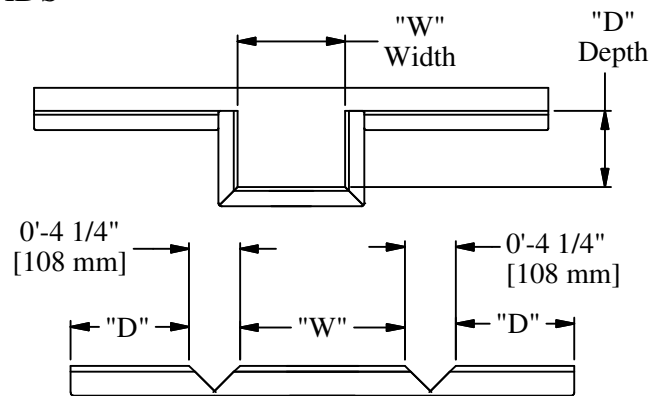
When installing pads at an inside corner, first check the corner walls for plumb and square. If walls are plumb and square, the overlap the pads as shown above.

If wall is not plumb, it may be necessary to shim the first pad to avoid a gap in the corner when the overlapping pad is installed.

COLUMN PADS



Wider columns will require the use of the two corner pads pre-cut from the factory and butted together.



Shallow and narrow columns can be wrapped from one pad pre-cut from the factory.

Installation and Assembly Instructions



Gared Holdings, LLC
9200 E. 146th St.
Noblesville, IN 46060

WALL PAD INSTALLATION INSTRUCTIONS

FILE LOC. Q:\Inventor Files\

DATE

4/3/2017

SHT. NO.

5 OF 6

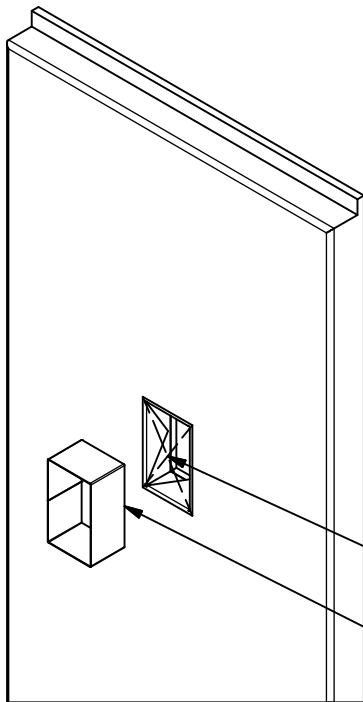
PART NO.

751752005

REV

CUTOUT INSTALLATION

CUTOUT DETAILS

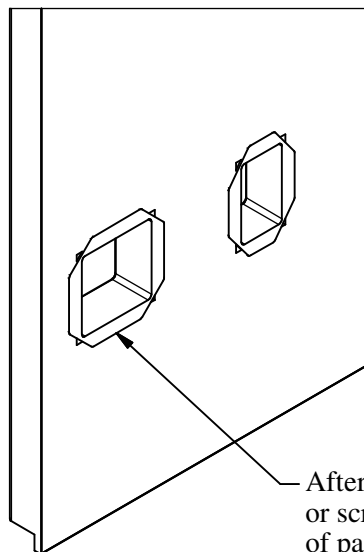


1. Mark location of cutout on back of pad. Remove the backer board and foam from the cutout being careful to not damage the vinyl.
2. After the backer board and foam have been removed from the cutout area, cut the vinyl diagonally from corner to corner and fold the loose flaps into the cutout and staple to the backer board.
3. Take a strip of matching vinyl and glue to the sides of the cutout area using a quality vinyl adhesive.

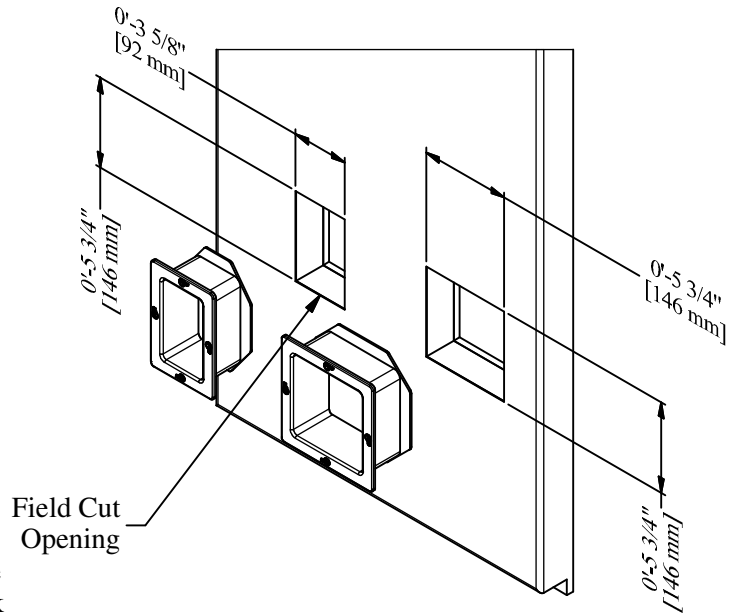
Slit vinyl from corner to corner

Form a strip of vinyl the same color as the pad to loop around the inside edge of the cutout opening.

Optional Molded Inserts Ordered and Sold Separately



After insertion, staple or screw flaps to back of pad



Installation and Assembly Instructions



Gared Holdings, LLC
9200 E. 146th St.
Noblesville, IN 46060

WALL PAD INSTALLATION INSTRUCTIONS

FILE LOC. Q:\Inventor Files\

DATE

4/3/2017

SHT. NO.

6 OF 6

PART NO.

751752005

REV