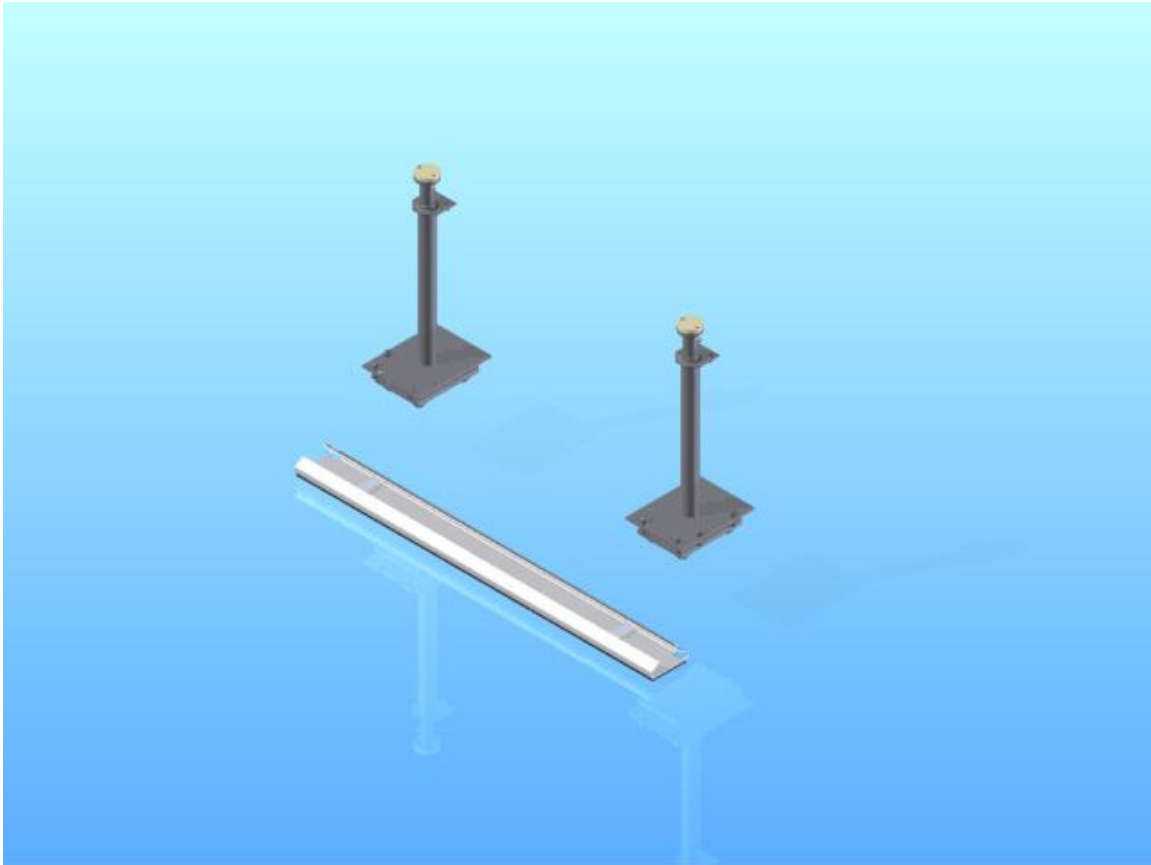




Wheel Lift Kit – Gared Pro-S

Model: 9621



Installation Instructions

.....
Please read all instructions before attempting installation or operation of these units
.....

SAVE THESE INSTRUCTIONS FOR FUTURE USE

PUBLICATION No.
5 5 1 7 5 1 1 3 4

Issued
March 2



Wheel Lift Kit – Gared Pro-S



Parts Checklist

Verify all parts listed on packing list are present prior to installation.

Item	Part Number	QTY	Description
1	556554948	1	Leveling Frame Assembly
2	556554747	2	Wheel Lift Support
3	556554748	2	Wheel Lift Riser
4	556554740	2	Riser Top Cap
5	556555524	2	Wear Pad
6	6341-11-00	2	Cotter Pin, 1/4" x 1 1/2"
7	236-10-24-12Z	4	Flat head Screw, #10-24 x 3/4"
8	502-6-16-20	8	Hex Bolt, 3/8" x 1 1/4"
9	561-6	4	Flat Washer, 3/8"
10	562-6	10	Lock Washer, 3/8"
11	541-6-16	8	Hex Nut, 3/8"
12	502-5-18-12Z	4	Hex Bolt, 5/16" x 3/4"
13	562-5	6	Lock Washer, 5/16"
14	541-5-18	4	Hex Nut, 5/16"
15	502-8-13-24	8	Hex Bolt, 1/2" x 1 1/2"
16	561-8	8	Flat Washer, 1/2"
17	562-8	8	Lock Washer, 1/2"
18	541-8-13	8	Hex Nut, 1/2"
19	556554949	1	Latch Assembly
20	556554953	1	Striker Bolt
21	556554955	1	Latch Mounting Bracket
22	556554956	1	Latch Mounting Bracket Plate
23	223-4-20-16Z	4	Pan Head Screw, 1/4" x 1
24	563-4	4	Lock Washer, 1/4"
25	502-5-18-16	2	Hex Bolt, 5/16" x 1"
26	561-5	4	Flat Washer, 5/16"
27	502-6-16-16	2	Hex Bolt, 3/8" x 1"
28	562-7	1	Lock Washer, 7/16"
29	541-7-14	1	Hex Nut, 7/16"

Please check that all of the parts called out on the Parts Checklist are present and not damaged prior to beginning assembly. Contact the PSS or Gared Sports customer service department if any parts are missing or damaged to obtain replacement parts. Please do not substitute for factory parts.

Installation

1. Move the unit to a level area on a hard floor. If the installation is to be completed on a wood floor, it is recommended the floor be protected from possible damage.
2. To raise the unit from the stored position.
 - a. Remove the safety pin from the slide bar.
 - b. Unlatch by pulling up on latch handle.
 - c. Using the handle on the left side of the rear upright, lift the upright and rotate to the full up position.
 - d. Install the safety pin into the slide tube locking bar.
3. Remove the side pads and front pad from the unit.
4. Install the leveling frame assembly onto the leveling foot pads. Refer to Figure 1
 - a. Remove one of the foot pads from the base of the screw rod.
 - b. Slide the leveling pad over the other foot pad making sure the clearance slots for the locator pins are facing the unit.
 - c. Slide the loose footpad into the end of the leveling frame and re connect to the screw rod.

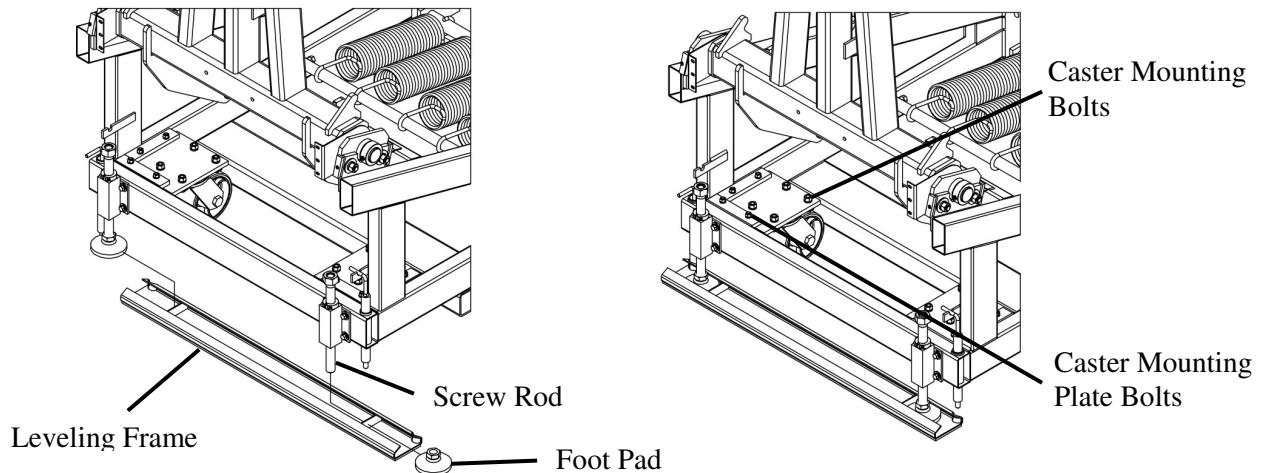


Figure 1

5. Adjust the leveling screws to raise the unit off the wheels. It is recommended to raise the unit until the goal is at the 10' playing height. This will make adjustments of the leveling pad and down latch easier when required later in the installation.
6. Remove the swivel casters by removing the four caster mounting bolts on each side. Set the casters aside for installation later.
7. Remove the two caster mounting plates by removing the four caster mounting plate bolts on each side. These plates can be discarded as they will not be reused.
8. Items 2 through 7 are pre-assembled at the factory. There are two wheel lift riser assemblies consisting of items 2 through 7.

9. Install a swivel caster onto each of the riser assemblies using the 1/2" x 1 1/2" hex bolts, 1/2" flat washers, 1/2" lock washers, and 1/2" nuts (items 15 through 18).
10. The assemblies are now ready to install onto the unit.

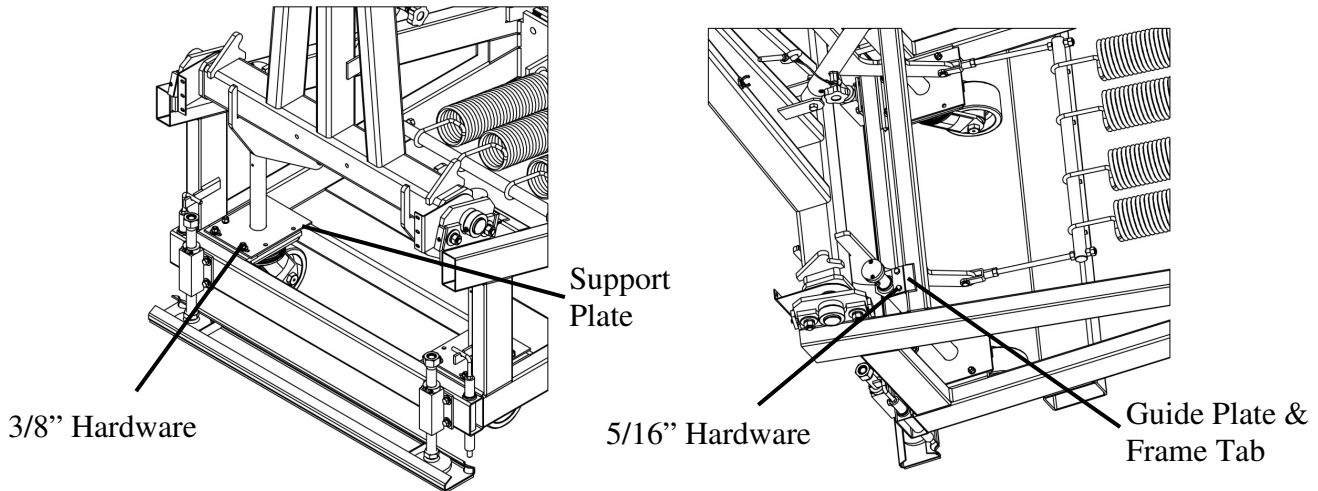


Figure 2

11. Set the wheel lift riser assembly into the unit making sure the support plate is on top of the mounting bars welded to the frame. Refer to Figure 2
12. Install the two 5/16" x 3/4" hex bolts into the upper guide plate and the frame tab. Secure with the 5/16" lock washer and 5/16" nut.
13. Install the four 3/8" x 1 1/4" bolts into the support plate and the mounting bars and secure with the 3/8" flat washer, 3/8" lock washer, and 3/8" nuts.
14. Tighten all bolts securely and repeat steps 11 through 13 on the opposite side of the frame.

Important Note:

When the wheel lift option is installed on the unit, a down latch is required in order to hold the boom down while moving the unit around. It is important to make sure the down latch is installed before attempting to lower the unit.

Refer to the next page for installation of the down latch assembly. The down latch assembly is pre-assembled at the factory. Items 19 and 21 through 26 make up the latch assembly ready for installation on the unit.

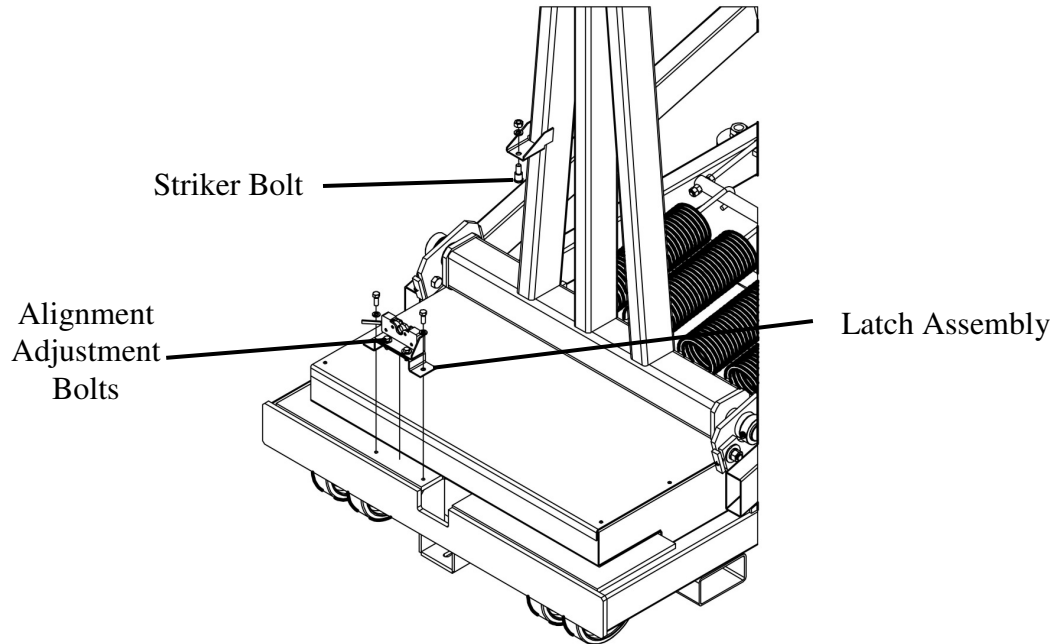


Figure 3

15. Install the latch assembly onto the rear frame using two 3/8" x 1" hex bolts and 3/8" lock washers. Tighten these bolts securely.
16. Install the striker bolt into the bracket on the rear upright and secure with the 7/16" lock washer and 7/16" nut.
17. Loosen the two 5/16" alignment adjustment bolts enough to allow the latch assembly to move.
18. To lower the unit from the playing position.
 - a. Remove the safety pin from the slide tube locking bar.
 - b. Using the handle on the left side of the rear upright, pull the upright back and rotate it to the full down position.
 - c. Make sure the striker bolt engages the down latch.
 - d. Install the safety pin into the slide tube locking bar. (Some downward pressure on the boom may be required)
19. Align the down latch to the striker bolt to make sure it is centered and evenly spaced on each side of the striker plates. Tighten the alignment adjuster bolts.
20. Lift up on the latch lever to release the latch and raise and lower the unit a couple times to make sure the strike bolt is engaging the latch striker and the wheels are lifting the leveling frame off the floor.
21. Recheck all bolts are tight and the unit is now ready to be used with the wheel lift option installed.



Gared Holdings, LLC

Performance Sports Systems
9200 E. 146th Street
Noblesville, IN 46060

800-848-8034
www.perfsports.com

Gared Sports
707 North 2nd Street
St. Louis, MO 63102

800-325-2682
www.garedsports.com