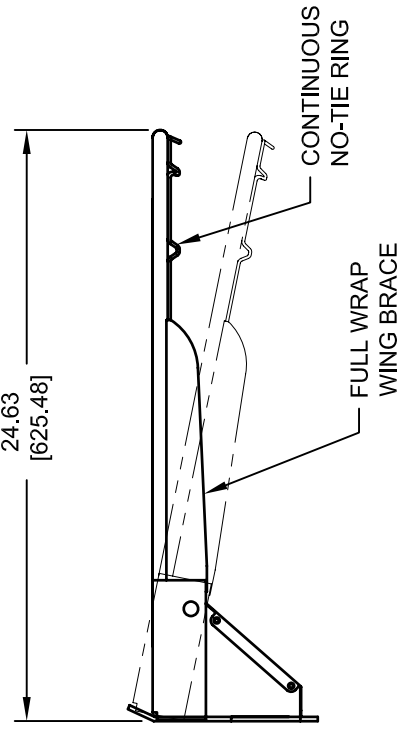
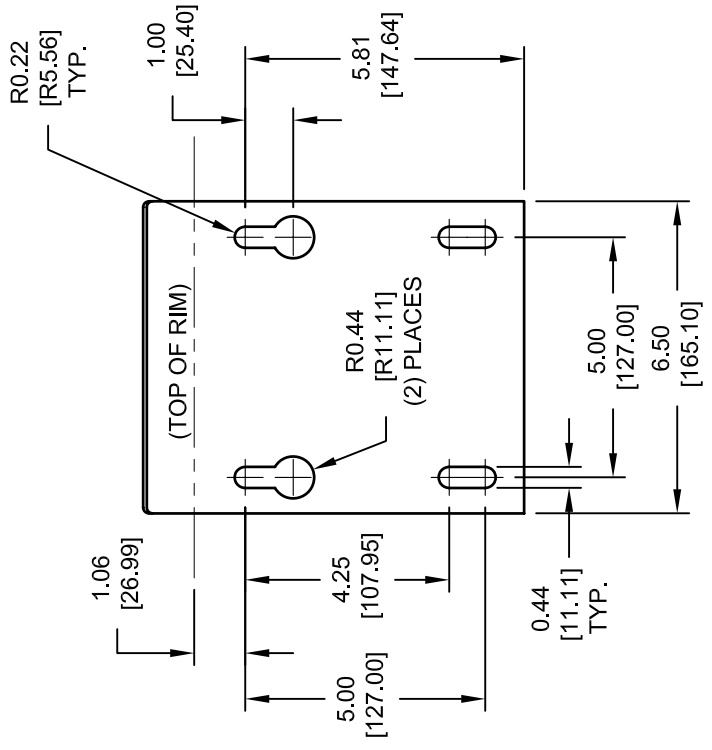


DUAL RETURN SPRINGS



NOTE: FINISH - OFFICIAL ORANGE POWDER COAT. GOAL IS SUPPLIED WITH ANTI-WHIP NYLON NET, TIE CORD, AND HARDWARE.

REVISION		
REV.	DATE	BY
A	12/02/03	JJC
B	12/20/06	WAE
C	04/22/08	RWP




Gared Holdings, LLC
9200 E. 146th St. Noblesville, IN 46060

THIS DOCUMENT CONTAINS TRADE SECRET AND OTHER MATERIALS WHICH ARE PROTECTED BY CONFIDENTIALITY NOTICE AND AGREEMENT AND BY COPYRIGHT. ANY USE OR COPYING OF THIS DOCUMENT EXCEPT AS AUTHORIZED BY GARED HOLDINGS, LLC IS STRICTLY PROHIBITED.

SNAP "A" BREAKAWAY GOAL

DRAWN	CONNERLEY	DATE	05/07/03	MATERIAL	N/A
APPROVED	JJC	DATE	05/07/03	FINISH	AS NOTED
FILE LOC. Q:\Final Release\Specifications				DWG. NO.	20123T-A
SIZE	SCALE	SHT. NO.	PART NO.	20123T-A	
A	NONE	1 OF 1			
					REV C



MODEL 20123T-A
SNAP-A

SNAP BACK BREAK-AWAY GOAL

The SNAP-A goal shall be constructed with a completely enclosed positive lock, which holds the rim in solid playing position and automatically returns to playing position. Goal shall be available in two pressure settings; 230 lbs. pressure setting is recommended for 1/2" rectangular glass board; 180 lbs. pressure setting is suggested for use on all other backboards. Goal shall have an official sized 18" ring of 5/8" diameter steel designed for use with tie cord netting. Goal shall meet all professional, NCAA, and high school requirements.

Goal shall have a durable orange powder coated paint finish and come complete with nylon net and tie cord. Hole spacing shall be 5" horizontal x 4-1/4" to 5" vertical.

ACCESSORIES

BACKBOARDS

Compatible backboards are models RG, AFRG48, and FSGII. See backboard section in specification manual.

Subject to design change and current manufacturing practices.
Revised April 4, 2008 ©2008 Gared Holdings, LLC